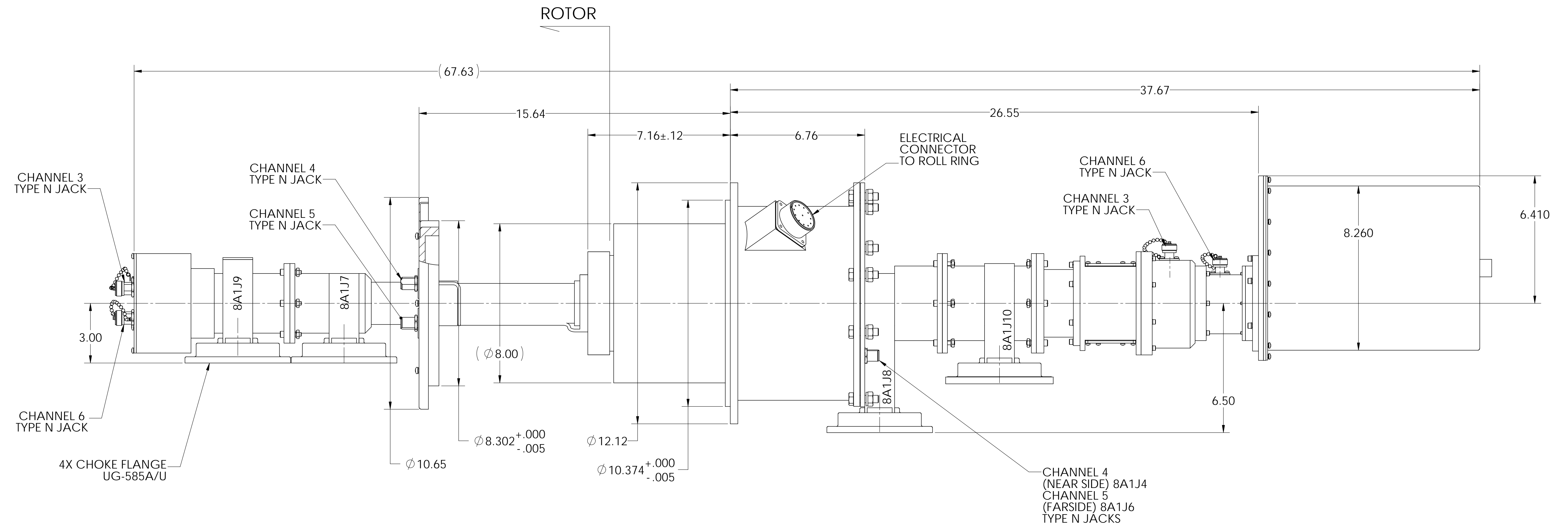


SPECIFICATIONS

	CH 1	CH 2	CH 3	CH 4	CH 5	CH 6
FREQUENCY (GHz)	2.7 - 2.9	2.7 - 2.9	2.7 - 2.9	1.01 - 1.11	1.01 - 1.11	1.01 - 1.11
VSWR	1.20:1	1.20:1	1.30:1	1.30:1	1.30:1	1.30:1
VSWR WOW	0.05	0.05	0.06	0.07	0.07	0.07
INSERTION LOSS (dB)	0.2	0.5	1.6	1.5	1.5	1.2
PEAK POWER	XMIT	XMIT	REC	15 KW	15 KW	15 KW
AVERAGE POWER	XMIT	XMIT	REC	300 W	300 W	300 W
ISOLATION	----- 50dB MIN -----					
PHASE TRACKING (L-BAND)				±2°	±2°	±2°



THIRD ANGLE PROJECTION 	<b>DIAMOND ANTENNA &amp; MICROWAVE CORP</b> LITTLETON, MA 01460	
	TITLE: <b>ASR-8, 6 CHANNEL ROTARY JOINT</b>	
DIMENSIONS ARE IN INCHES. REMOVE ALL BURRS AND SHARP EDGES .005 MAX, UNLESS OTHERWISE SPECIFIED. SURF. FINISH 63/ TOLERANCES ARE: FRACTIONS DECIMALS ANGLES <small>1/16 2 PLACES ±.010 1/16</small>	SIZE: <b>D 01882</b>	DRAWING NUMBER: <b>CAT 26100-0</b>
INTERPRET DIMENSIONS & TOLERANCES PER ASME Y14.5M	SCALE: <b>1:8</b>	WEIGHT (EST.): SHEET <b>1 OF 1</b>