

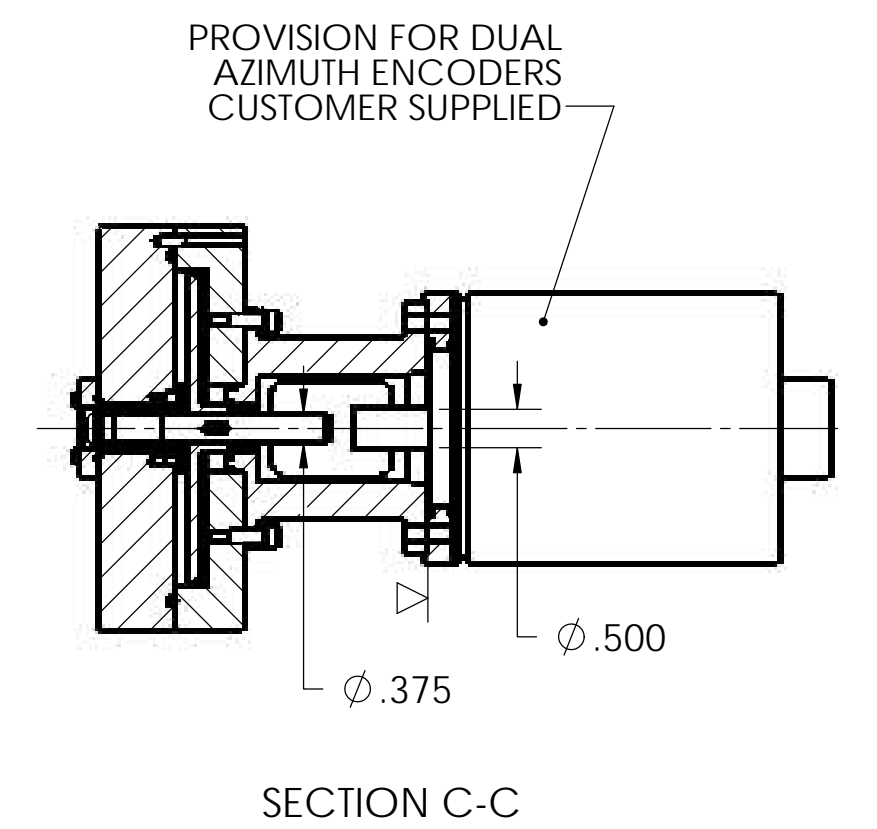
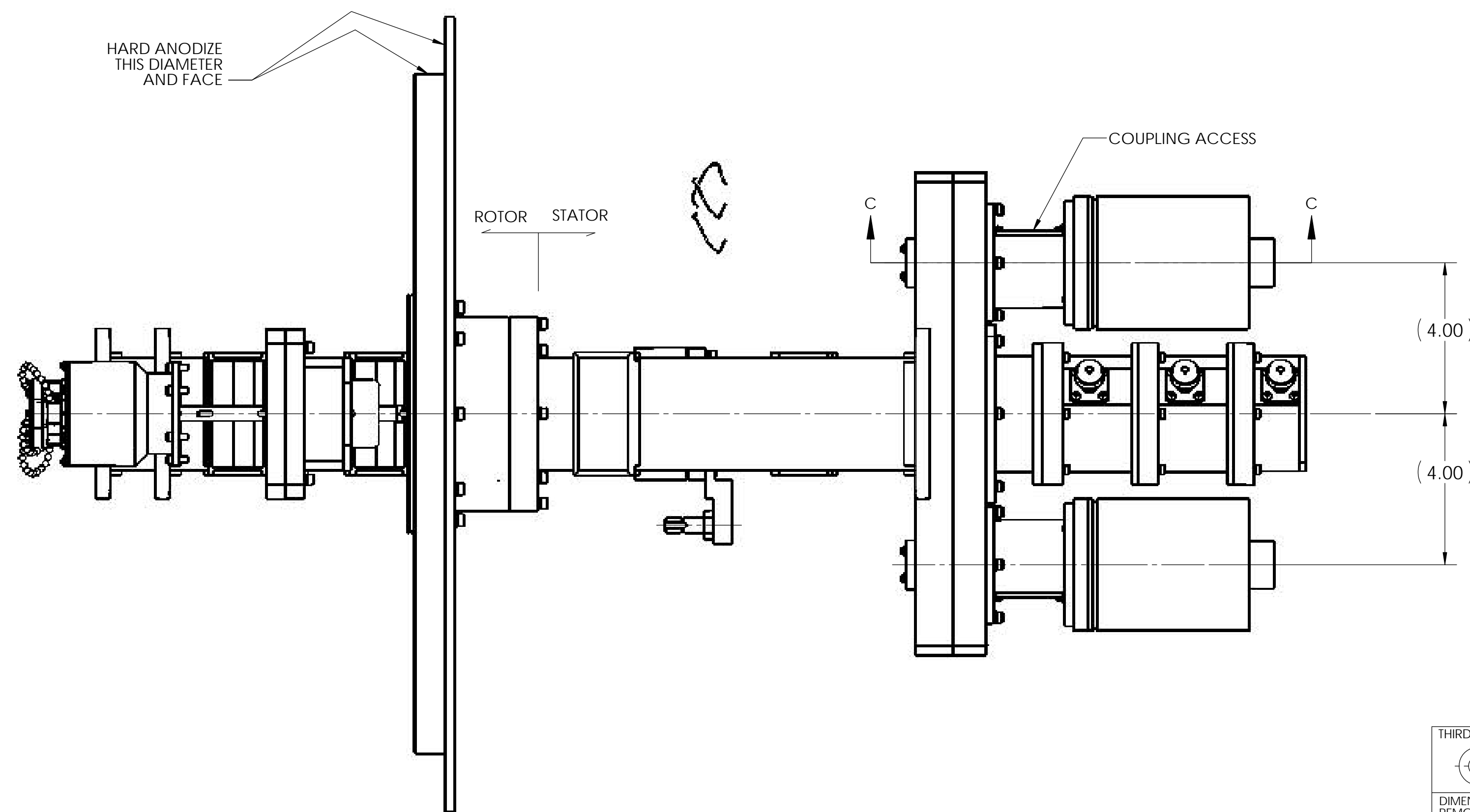
**DESIGN SPECIFICATIONS**

ELECTRICAL	CHAN 1	CHAN 2	CHAN 3	CHAN 4	CHAN 5
FREQUENCY:	2.7 - 2.9 GHz	2.7 - 2.9 GHz	1.01 - 1.11 GHz	1.01 - 1.11 GHz	1.01 - 1.11 GHz
VSWR (MAX):	1.2:1	1.2:1	1.3:1	1.3:1	1.3:1
VSWR WOW (MAX):	0.05	0.05	0.04	0.04	0.04
INSERTION LOSS (MAX):	0.30 dB	0.25 dB	1.0 dB	1.0 dB	1.0 dB
PHASE WOW (deg):	NA	NA	1.0 PK to PK	1.0 PK to PK	1.0 PK to PK
POWER, PEAK:	1.5MW	1.5MW	10 KW	10 KW	10 KW
POWER, AVG:	1.55kW	1.55kW	75 W	75 W	75 W
ISOLATION:	-----60----->				
PHASE TRACKING:	$\pm 2^\circ$ BETWEEN CHANNELS 3, 4, & 5				
CONNECTORS:	----	----	N	N	N
FLANGES:	CPR284G W/SEAL GRV	CPR284G W/SEAL GRV			

**MECHANICAL & ENVIRONMENTAL**

ROTATIONAL SPEED: 15 RPM MAX  
 TORQUE: 4.5 FT-LBS  
 PRESSURE: 25 PSIG  
 LEAK RATE: 25cc/min @ 5psi across the -40°C to 55°C temp range @ 10,000 ft above sea level  
 WEIGHT: 80 LBS (EST.)  
 MATERIAL: ALUMINUM ALLOY PRIMARILY  
 FINISH: TBD  
 PAINT: TBD  
 MASKING: SURFACES INDICATED WITH  $\Delta$

ROHS COMPLIANT



THIRD ANGLE PROJECTION		DIAMOND ANTENNA & MICROWAVE CORP LITTLETON, MA 01460	
DIMENSIONS ARE IN INCHES. REMOVE ALL BURRS AND SHARP EDGES .005 MAX, UNLESS OTHERWISE SPECIFIED. SURF FINISH 63/3174		TITLE: FIVE CHANNEL ASSY	
SIZE: D	CAGE CODE: 01882	DRAWING NUMBER: CAT 10-2540-0	
TOLERANCES ARE: FRACTIONS DECIMALS ANGLES		SCALE: 2:5	WEIGHT (EST.):
INTERPRET DIMENSIONS & TOLERANCES PER ASME Y14.5M		SHEET 1 OF 1	