

	CHAN 1	CHAN 2	NOTE
FREQUENCY	5.4-5.8 GHz	5.4-5.8 GHz	
VSWR	<1.15:1	<1.3:1	
VSWR WOW	0.10	0.10	
INSERTION LOSS	<0.25dB	<0.4dB	
INSERTION LOSS WOW	<±0.05dB	<±0.05dB	
PEAK POWER	350kW	175kW	1
MEAN POWER	600w	300w	1 & 2

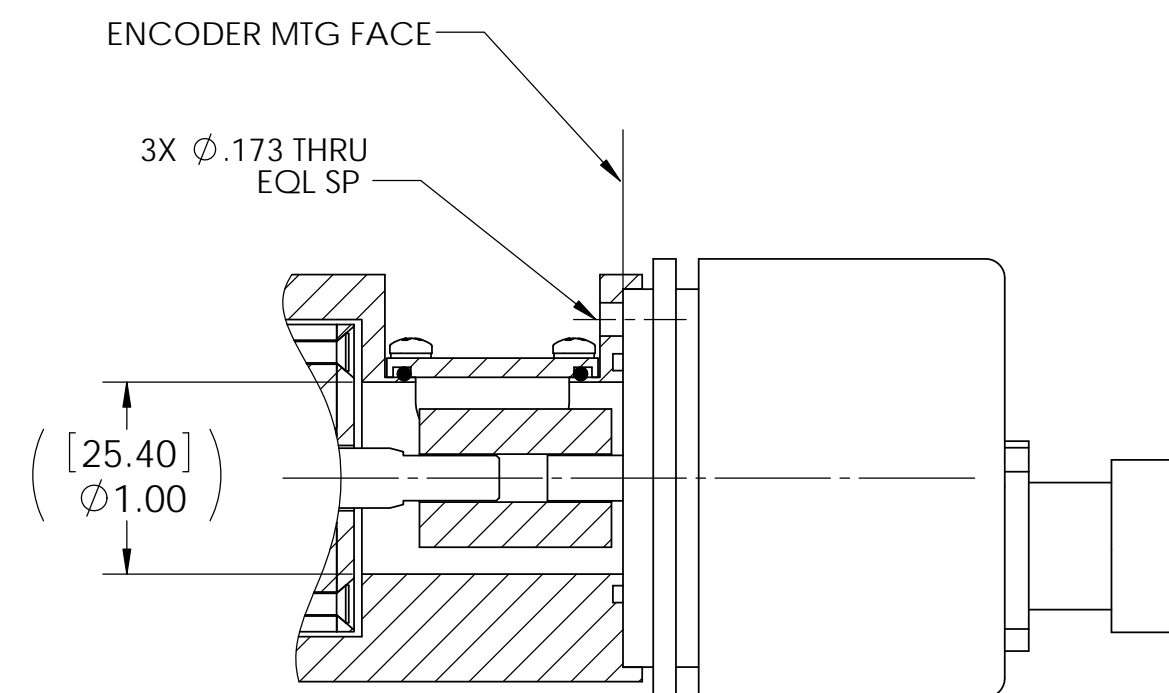
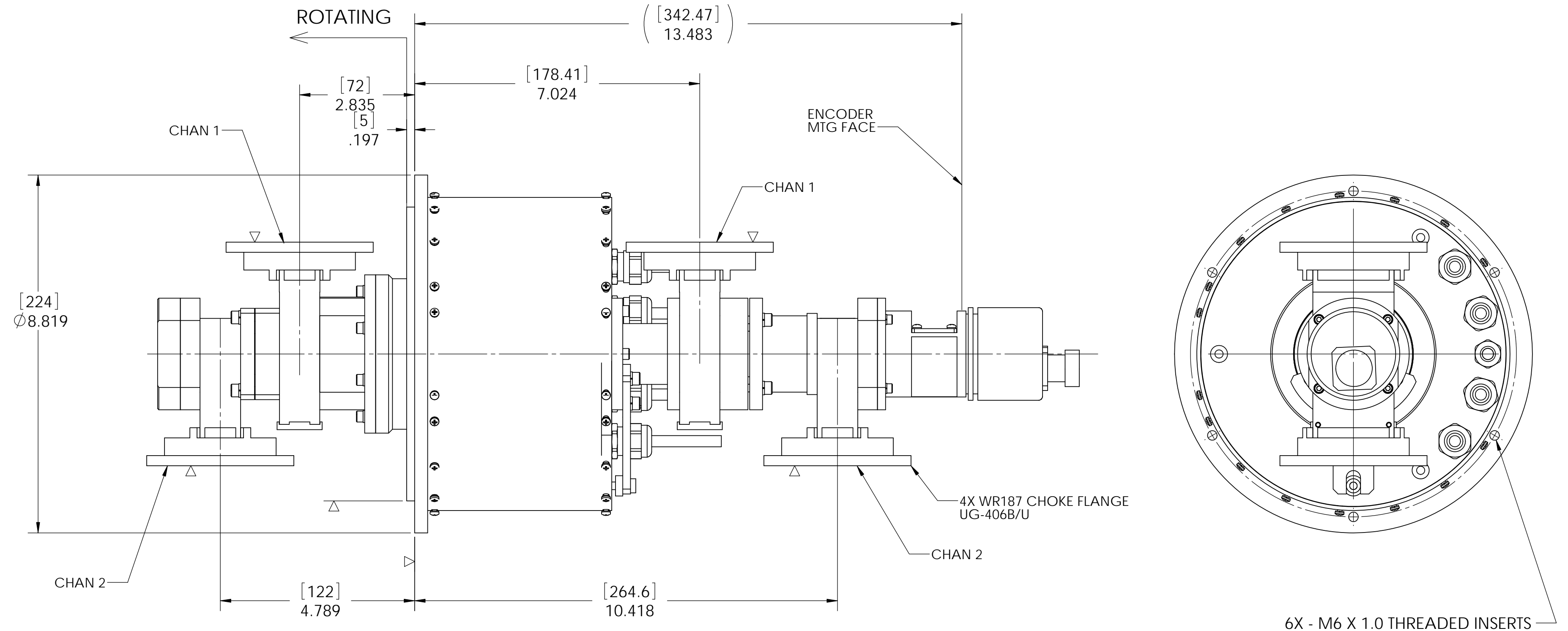
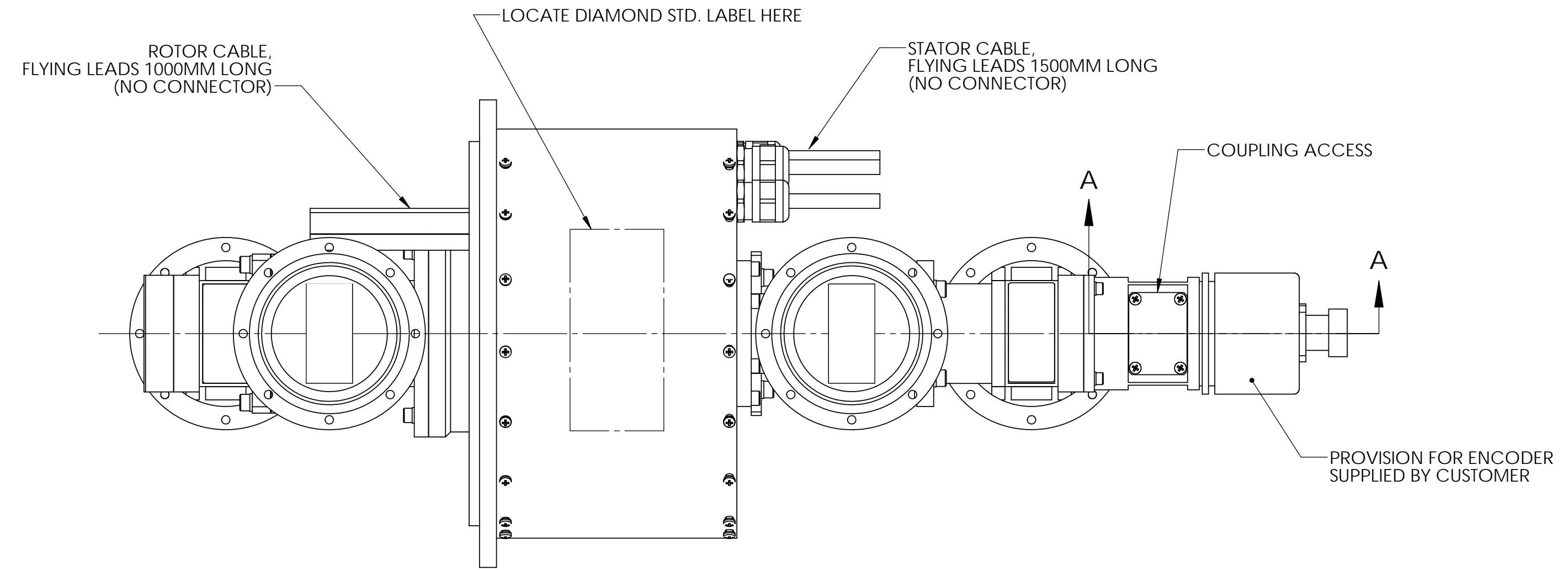
NOTES:

- ONLY ONE CHANNEL OPERATING AT FULL POWER OR BOTH CHANNELS OPERATING AT ONE-HALF POWER SIMULTANEOUSLY.
- POWER LEVELS BASED ON A 1.5:1 OUTPUT MISMATCH

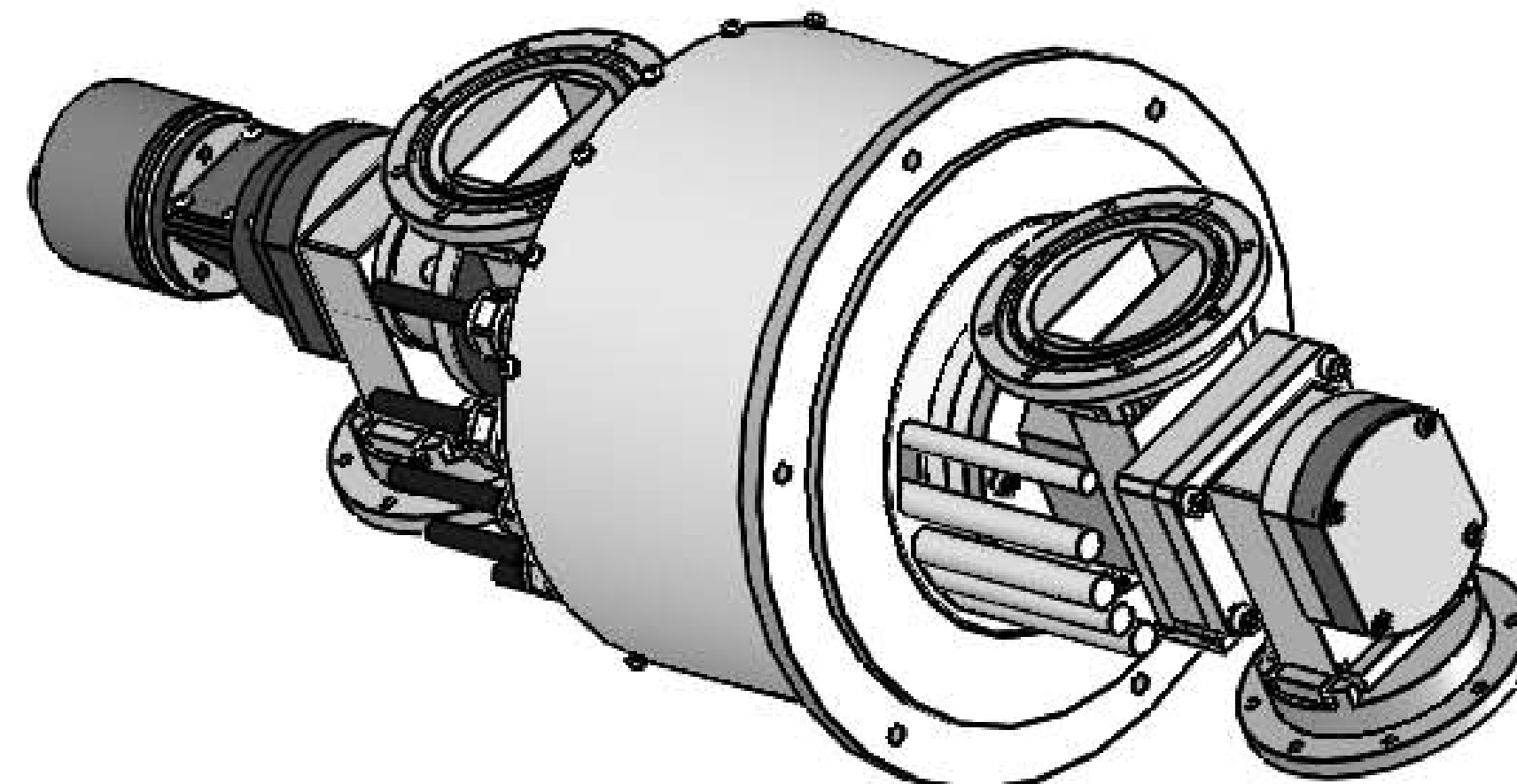
MATERIAL: ALUMINUM ALLOY  
 FINISH: TBD  
 DO NOT PAINT WHERE INDICATED BY Δ  
 SPEED: 6 RPM  
 PRESSURE: 10 PSIG (0.07 Mpa) MINIMUM, 15 PSIG (0.10 Mpa) PREFERRED  
 LEAK RATE: 10cc/min (max)  
 TEMPERATURE RANGE: -40°C TO +85°C (OPERATING)  
 -70°C TO +125°C (STORAGE)  
 MAINTENANCE INTERVAL: 10,000,000 revs  
 LABEL: APPLY DIAMOND STD. LABEL AS SHOWN  
 LABEL TO INCLUDE THE FOLLOWING AS A MINIMUM:  
 PT # 22120-0  
 S/N:

SLIPRING SIGNALS (24 channels)

SIGNAL NAME	WIRING TYPE	NUMBER OF SIGNALS	VOLTAGE	CURRENT	FREQUENCY RANGE	IMPEDANCE	VSWR	INS. LOSS	POWER	
AC POWER (L1,L2,L3,N,PE)	POWER	5	230/400 VAC	6A						
DC POWER	POWER	1	24 VDC	6A						
DC GROUND	GROUND	1								
COAX	SHIELD	1			60 MHz	50 OHMS	2.0:1	3dB MAX	1W MAX	
	CC	1								
SPARE SIGNALS	TTL/24 V	3	5-24 V		100 KHz					
	GROUND	3								
SPARE SIGNALS (GROUND)	SHIELD	1								
	SHIELD	1								
CANBUS 1	TWISTED PAIR W/GROUND	3	± 10 V		5 MHz	120 ±10 OHMS	2.0:1	3dB MAX		
CANBUS 2	TWISTED PAIR W/GROUND	3	± 10 V		5 MHz	120 ±10 OHMS	2.0:1	3dB MAX		
CANBUS SHIELD	SHIELD	1								
		TOTAL=24								



SECTION A-A  
SCALE 1 : 1



THIRD ANGLE PROJECTION		DIAMOND ANTENNA & MICROWAVE CORP LITTLETON, MA 01460	
DIMENSIONS ARE IN INCHES. REMOVE ALL BURRS AND SHARP EDGES .005 MAX, UNLESS OTHERWISE SPECIFIED. SURF FINISH 63/✓		TITLE: 2 CHANNEL ROTARY JOINT, WR-187	
TOLERANCES ARE: FRACTIONS DECIMALS ANGLES 1/64 2 PLACES 1.010 1/16		SIZE: D	CAGE CODE: 01882
DRAWING NUMBER: CAT 22120-0		SCALE: 1:2	WEIGHT (EST.):
INTERPRET DIMENSIONS & TOLERANCES PER ASME Y14.5M		SHEET 1 OF 1	