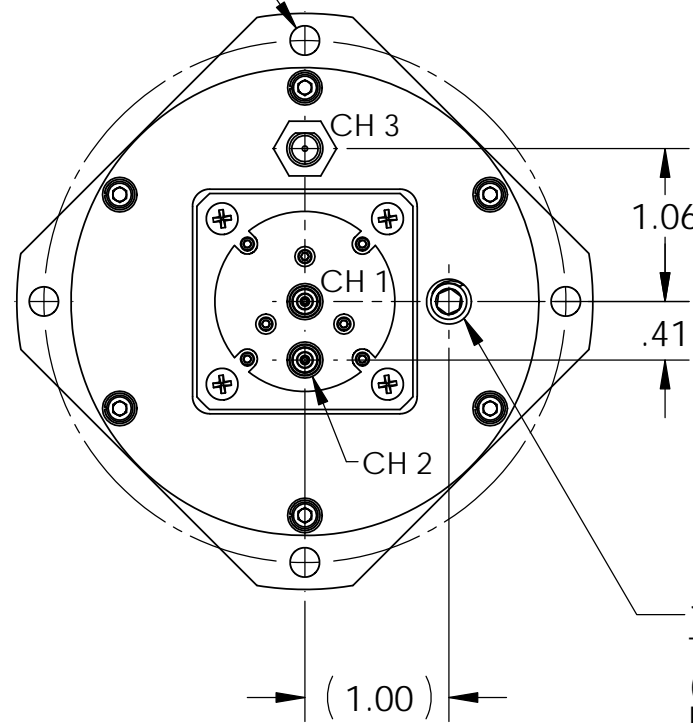
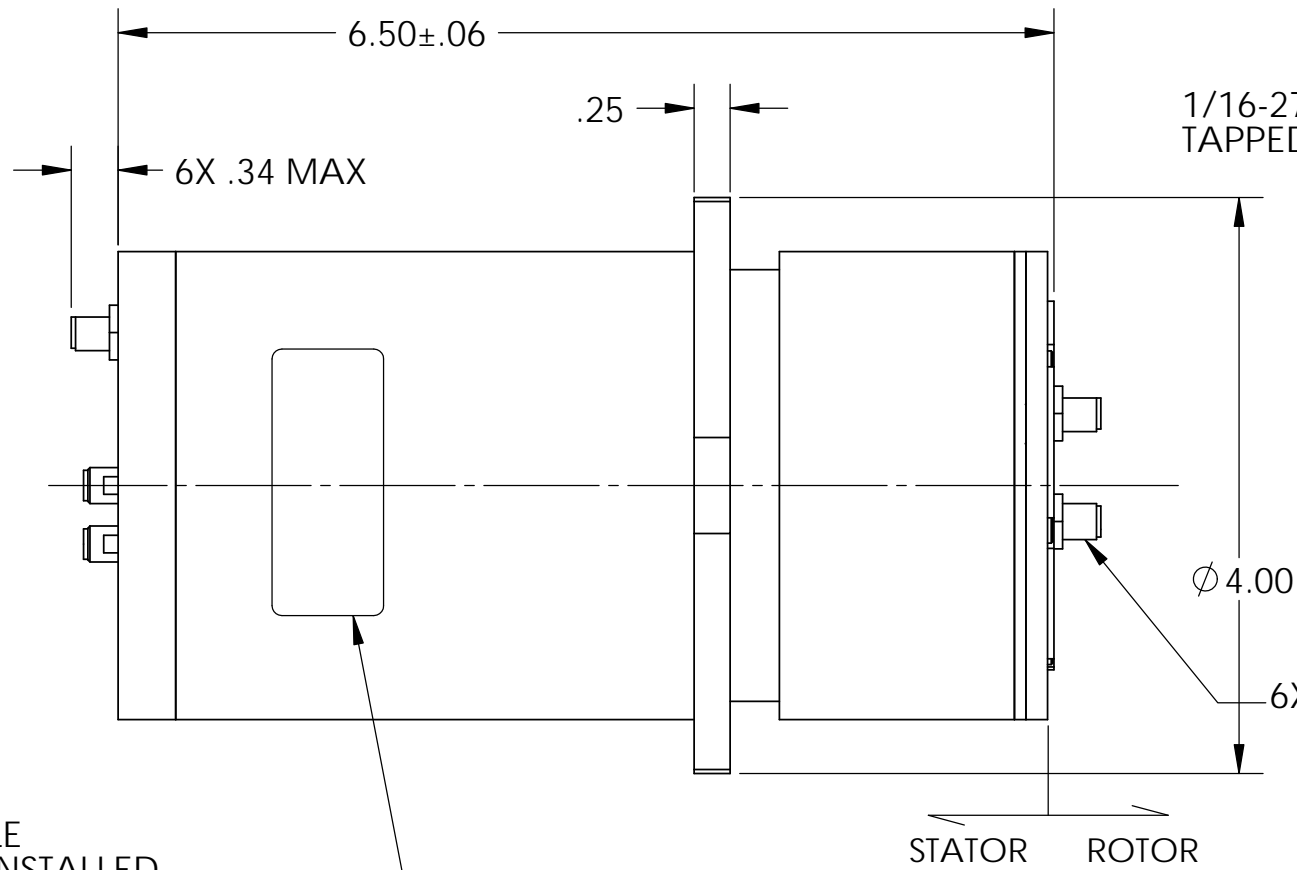


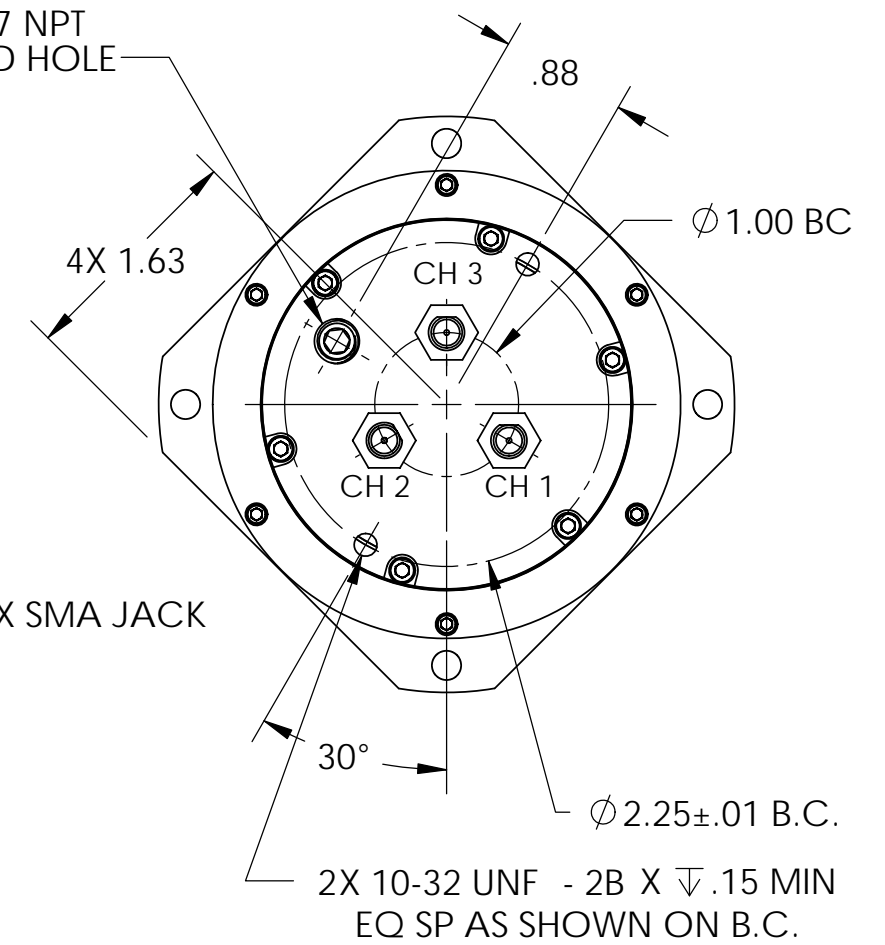
4X ϕ .203 THRU
EQ SP AS SHOWN ON B.C.



1/16-27 NPT
TAPPED HOLE
(PIPE PLUG INSTALLED
FOR SHIPPING PURPOSE
ONLY) TYP BOTH ENDS



DIAMOND LABEL



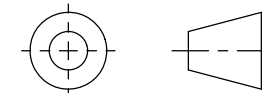
DESIGN SPECIFICATIONS

ELECTRICAL	CHAN 1	CHAN 2	CHAN 3
FREQUENCY (GHz):	1.0-6.0	1.0-6.0	0.2-2.5
VSWR (MAX):	1.2:1	3.0:1	1.8:1
VSWR WOW (MAX):	0.05	0.3	0.4
INSERTION LOSS (MAX):	0.5 dB	2.0 dB	0.8 dB
INSERTION LOSS WOW (MAX):	0.05 dB	0.3 dB	0.15 dB
POWER, PEAK:	50 W	50 W	-
POWER, AVG:	10 W	10 W	50 W
ISOLATION	-----50 dB-----		

MECHANICAL & ENVIRONMENTAL

ROTATIONAL SPEED:	5 RPM
TEMPERATURE, OPERATING:	-20°C TO +60°C
TEMPERATURE, STORAGE:	-50°C TO +71°C
HUMIDITY (RELATIVE):	100% CONDENSING
PRESSURE:	5 PSIG (TYP), 10 PSIG (MAX)
LEAK RATE:	20 CC/MIN @ 5 PSIG
TORQUE:	20 IN-LBS
WEIGHT:	4 LBS (EST.)
MATERIAL:	ALUMINUM ALLOY
FINISH:	CHROMATE CONVERSION COATING PER MIL-DTL-5541, CL 3 TYPE II ROHS COMPLIANT

THIRD ANGLE PROJECTION



DIMENSIONS ARE IN INCHES.
REMOVE ALL BURRS AND
SHARP EDGES .005 MAX,
UNLESS OTHERWISE
SPECIFIED, SURF FINISH 63
TOLERANCES ARE:
FRACTIONS $\pm 1/64$ DECIMALS 2 PLACES $\pm .03$ ANGLES $\pm 1/2^\circ$
3 PLACES $\pm .010$

INTERPRET DIMENSIONS &
TOLERANCES PER ASME Y14.5M

DIAMOND ANTENNA & MICROWAVE CORP
LITTLETON, MA 01460

TITLE:

3 CHANNEL ROTARY JOINT

SIZE:

B

CAGE CODE:

01882

DRAWING NUMBER:

CAT 27-2349-0

SCALE

3:4

WEIGHT (EST.):

SHEET 1 OF 1