

SPECIFICATIONS

ELECTRICAL	CHAN 1	CHAN 2	CHAN 3
FREQUENCY [GHz]:	1.01-1.1	1.01-1.1	1.01-1.1
VSWR, max:	1.25:1	1.25:1	1.25:1
VSWR WOW/360deg, max:	0.05	0.05	0.08
INS LOSS (dB):	.50 max	.50 max	.50 max
PEAK POWER [kW]:	10	10	10
AVERAGE POWER [W]:	150	150	300
PHASE TRACKING:	2°	2°	2°
DIFFERENTIAL LOSS BETWEEN ALL CHAN:	-----.2dB-----		
ISOLATION [dB min] ALL CHAN:	-----60-----		

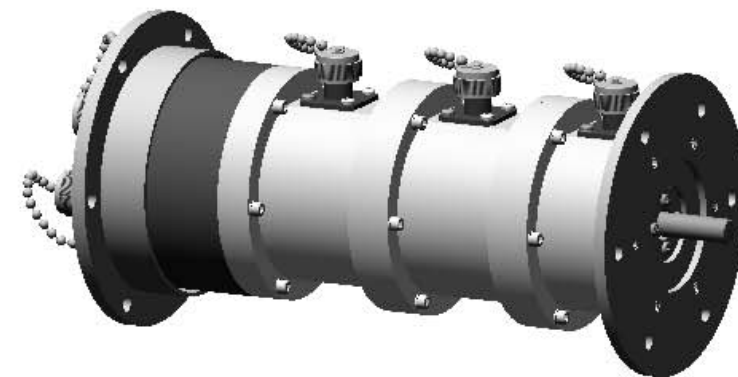
MECHANICAL

STARTING TORQUE, MAX : [2.72 N-m] 2 ft-lbs
 ROTATION SPEED [RPM]: 24 TYP, 60 MAX (INTERMITTENT)
 WEIGHT, approximate: [4.1kg] 9lbs
 LIFE, min [REVOLUTIONS]: 100 MILLION

ENVIRONMENTAL

OPERATING TEMP [C]: -40 TO 70
 STORAGE TEMP [C]: -50 TO 70
 HUMIDITY [Rh]: 100%
 ALTITUDE [m] 0 - 3600 ABOVE SEA LEVEL

CONNECTORS: TYPE N JACK
 MATERIAL: ALUMINUM
 FINISH: CRMT CVRSN PER MIL-DTL-5541, CL 3 TYPE II
ROHS COMPLIANT
 MARKING: per MIL-STD-130



THIRD ANGLE PROJECTION

DIMENSIONS ARE IN INCHES. REMOVE ALL BURRS AND SHARP EDGES .005 MAX, UNLESS OTHERWISE SPECIFIED, SURF FINISH 63 TOLERANCES ARE:
 FRACTIONS 2 PLACES ±.05
 DECIMALS 3 PLACES ±.010
 ANGLES 2 PLACES ±1/2
 INTERPRET DIMENSIONS & TOLERANCES PER ASME Y14.5M

DIAMOND ANTENNA & MICROWAVE CORP
 LITTLETON, MA 01460

TITLE:
3 CHAN COAX ROTARY JOINT

SIZE: C CAGE CODE: 01882 DRAWING NUMBER: CAT 28-2355-0

SCALE 1:2 WEIGHT (EST.): SHEET 1 OF 1