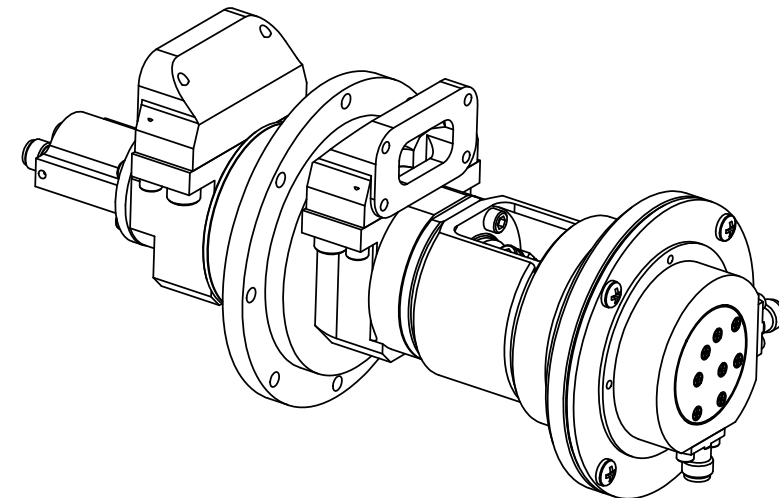


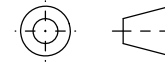
SPECIFICATIONS

Chan designation	CHAN 1	CHAN 2	CHAN 3
Frequency (GHz)	13.75-14.5	DC TO 12.75	DC TO 5
VSWR (max)	1.3:1 for 13.75-14 GHz 1.2:1 for 14-14.5 GHz	1.5:1 @ DC to 8 GHz 1.8:1 @ 8 to 12.75 GHz	1.5:1
VSWR WOW/360 (max)	0.1	0.1	0.5
Insertion loss (dB max)	.3 for 13.75 - 14 GHz .2 for 14 - 14.5 GHz	1.0 @ DC to 6 GHz 1.3 @ 6 - 12.75 GHz	1
Insertion loss WOW (dB max)	0.05	0.05	0.3
Peak power (W)	2 kW	1 kW	1 kW
Average power (W)	300	25 @ DC to 2 GHz 17 @ 2 to 4 GHz 12 @ 4 to 8 GHz 10 @ 8 to 12.75 GHz	10
Isolation	50 dB		
Phase change (WOW)	2°	0.6°	2°
DC carrying capability *, max	---	0.5 A, 48 VDC @ full RF avg power 2 A, 48 VDC @ Rfavg power 5 W 5 A**, 48 VDC @ RF avg power 5 W	0.5 A, 24 VDC @ full RF avg power

*) Condition: DC applied to one channel only
 **) Condition: applied for max 1×10^5 revolutions

Rotating speed, max 60 rpm
 Life, min 5×10^6 revolutions
 Torque (room temp), max 0.30 Nm @ start-up
 0.25 Nm @ rotation
 Material ALUMINUM ALLOY
 Finish CHROMATE CVRSN PER MIL-DTL-5541,
 CLASS 3, TYPE II - ROHS COMPLIANT
 IP protection level IP60 per EN 60529
 Weight, max 0.7 kg
 Marking Label to include mfg p/n & ser no.
 Ambient temp range -40°C to +55°C (operating)
 -55°C to +85°C (storage)
 Relative humidity, max 95% (non-condensing)



THIRD ANGLE PROJECTION

 DIMENSIONS ARE IN INCHES.
 REMOVE ALL BURRS AND SHARP EDGES .005 MAX, UNLESS OTHERWISE SPECIFIED. SURF FINISH 63
 TOLERANCES ARE:
 FRACTIONS DECIMALS ANGLES
 $\pm 1/64$ 2 PLACES $\pm .05$ $\pm 1/2^\circ$
 3 PLACES ± 0.10
 INTERPRET DIMENSIONS & TOLERANCES PER ASME Y14.5M

DIAMOND ANTENNA & MICROWAVE CORP
 LITTLETON, MA 01460

TITLE: **ROTARY JOINT, WR75**
 SIZE: C CAGE CODE: 01882 DRAWING NUMBER: CAT 10-2366-0
 SCALE: 1:1 WEIGHT (EST.): SHEET 1 OF 1