

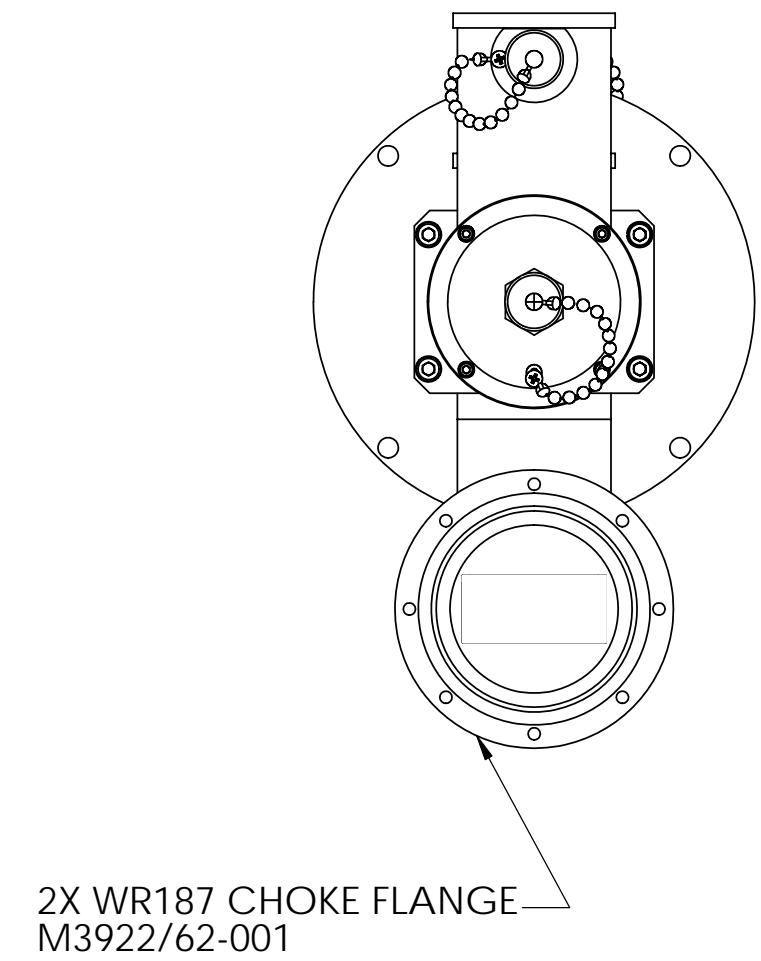
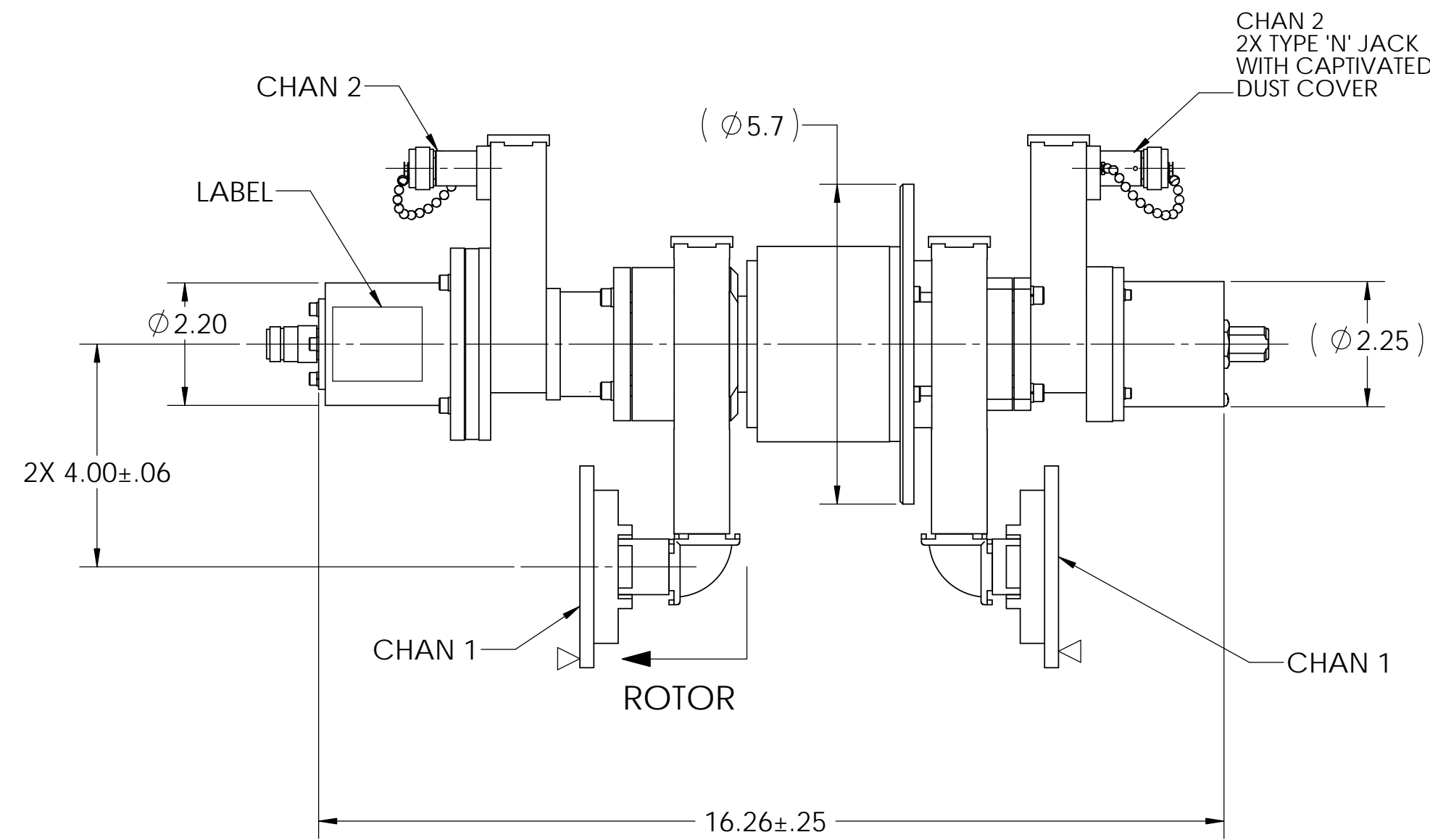
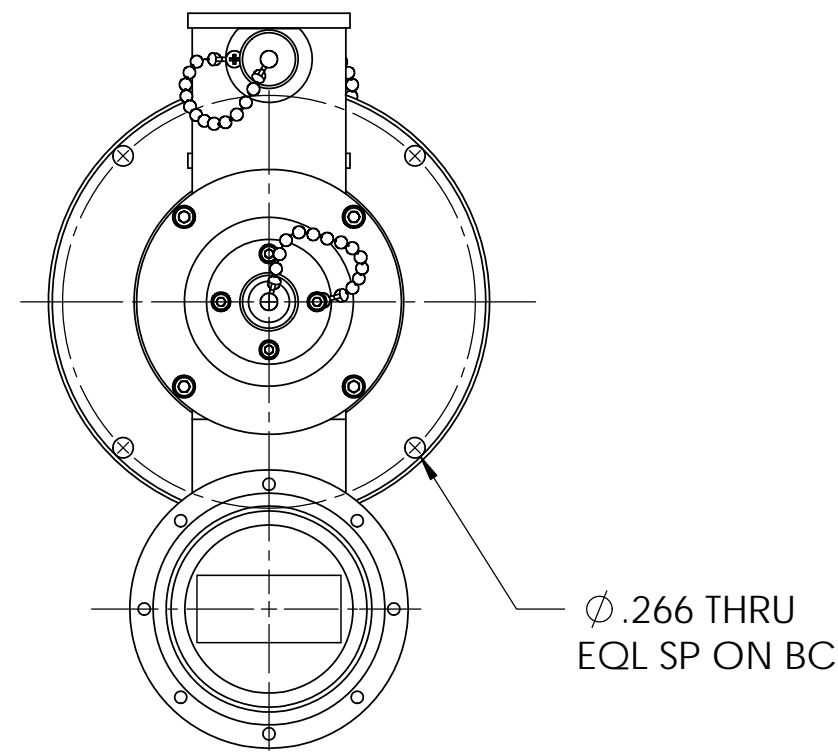
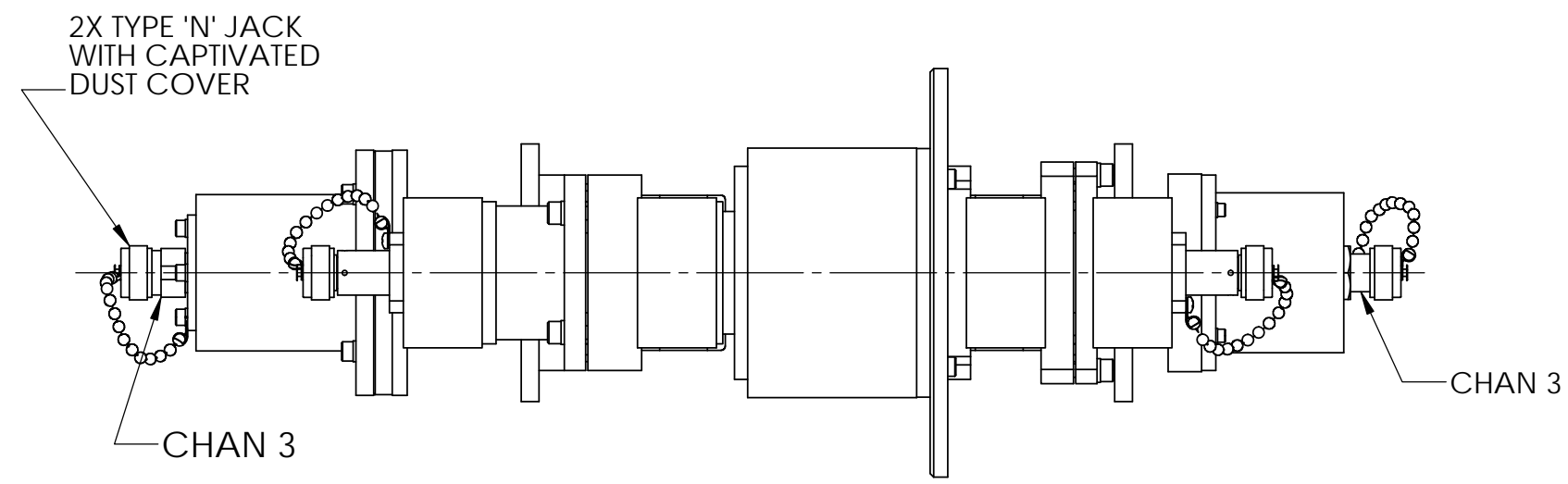
SPECIFICATIONS

	CH 1	CH 2	CH 3
FREQUENCY (GHz):	5.4 - 5.7	5.4 - 5.7	5.4 - 5.7
VSWR (MAX):	1.2:1	1.5:1	1.3:1
VSWR WOW:	0.02	0.03	0.05
INS. LOSS (MAX):	.2dB	.4dB	.7dB
POWER, PEAK (MIN):	* 1 MW	250 W	250 W
POWER, AVG. (MIN):	1000 W	6 W	65 W
ISOLATION:	-----50dB-----		

* 2 MICROSECOND PULSE WITH A .001 DUTY CYCLE AT 23 PSIG INTO A 1.1:1 LOAD

PRESSURE: 23 PSIG
 LEAK RATE (MAX): 3 CU IN/MIN WITH CH 2 & CH 3 CONNECTORS UNCAPPED & WITHOUT MATING CONNECTORS INSTALLED
 TORQUE (MAX): 20 IN-LBS
 MATERIAL: ALUMINUM ALLOY
 WEIGHT (MAX): 25 LBS
 FINISH: TBD

MARKING: DIAMOND STD. LABEL LOCATED WHERE SHOWN AND TO INCLUDE: DIAMOND P/N, S/N, DATE.



THIRD ANGLE PROJECTION

DIMENSIONS ARE IN INCHES. REMOVE ALL BURRS AND SHARP EDGES .005 MAX, UNLESS OTHERWISE SPECIFIED. SURF FINISH 63 TOLERANCES ARE:

FRACTIONS	DECIMALS	ANGLES
±1/64	2 PLACES ±.03	±1/2°
	3 PLACES ±.010	

INTERPRET DIMENSIONS & TOLERANCES PER ASME Y14.5M

DIAMOND ANTENNA & MICROWAVE CORP
 LITTLETON, MA 01460

TITLE:
3 CHAN C-BAND ROTARY JOINT

SIZE:	CAGE CODE:	DRAWING NUMBER:
C	01882	CAT 23102-0
SCALE	2:5	WEIGHT (EST.):
		SHEET 1 OF 1