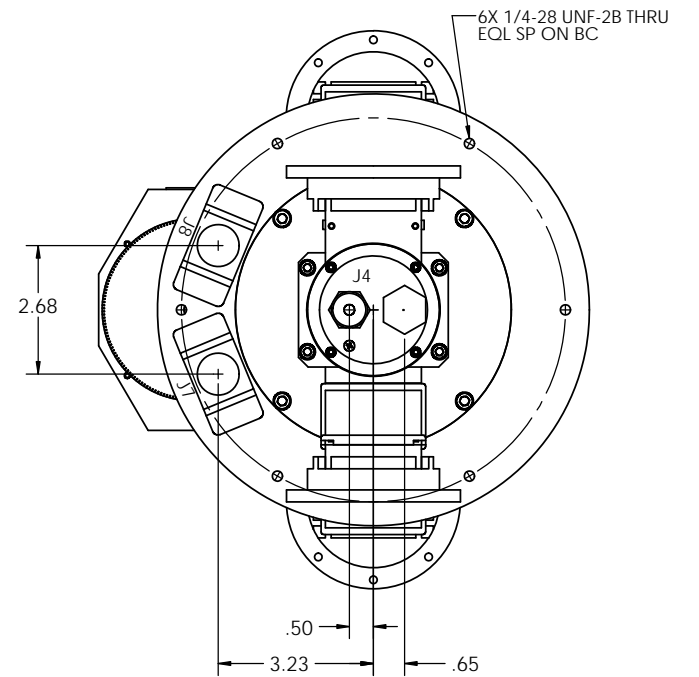
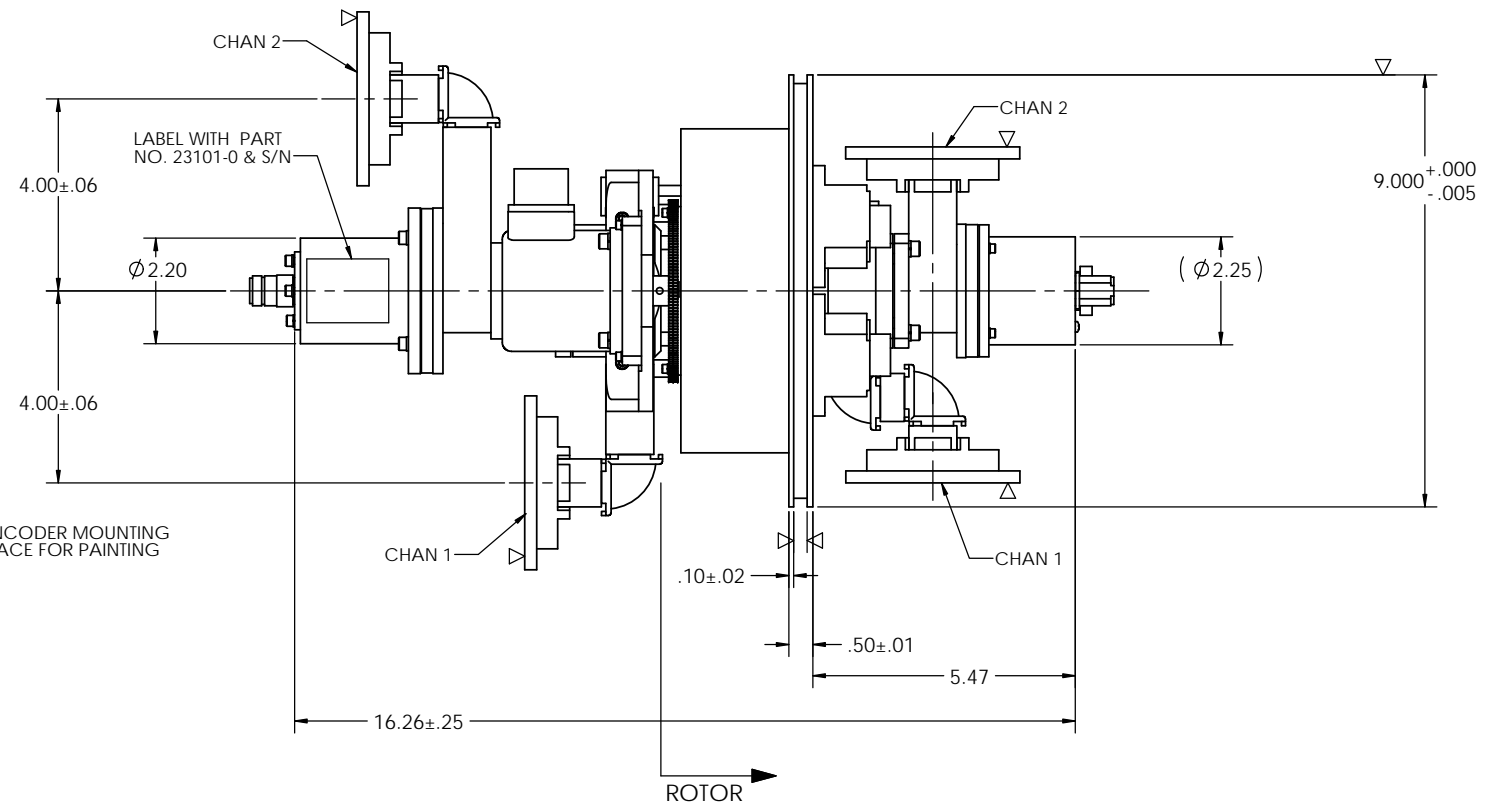
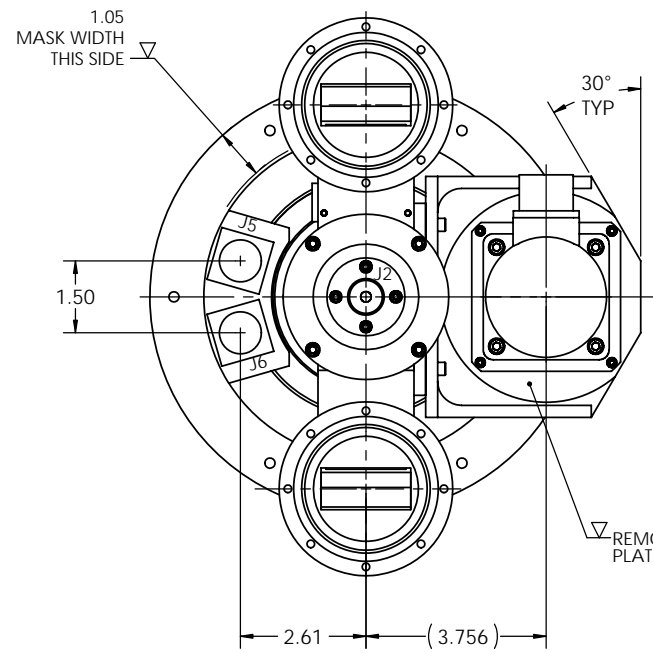
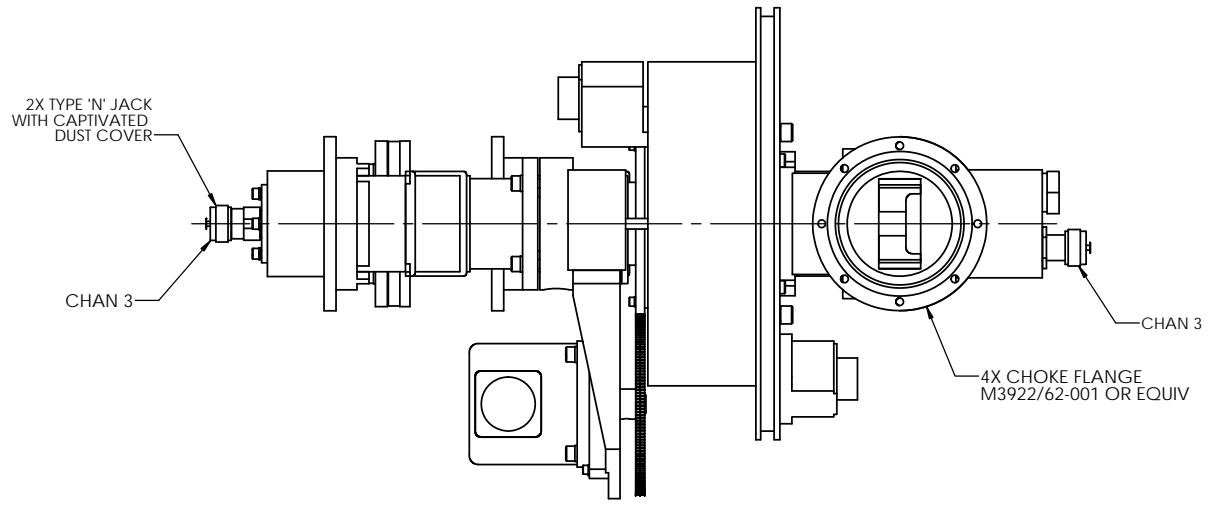


SPECIFICATIONS

	CH 1	CH 2	CH 3
FREQUENCY (GHz):	5.4 - 5.9	5.4 - 5.9	5.4 - 5.9
VSWR (MAX):	1.2:1	1.25:1	1.3:1
VSWR WOW:	0.02	0.03	0.05
INS. LOSS (MAX):	.2dB	.3dB	.6dB
POWER, PEAK (MIN):	75 KW	250 W	250 W
POWER, AVG. (MIN):	4 KW	6 W	65 W
ISOLATION:	-----50dB-----		

SLIP RING	LOW CURRENT CIRCUITS	HIGH CURRENT CIRCUITS
NO. OF CIRCUITS:	12	4
VOLTAGE RATING (MAX):	50 VDC	220 Vrms, 47-63 Hz
CURRENT RATING (MAX):	500 mA	5 A
SURGE CURRENT:	2 A	15 A
RESISTANCE (MAX):	.05 OHMS	.05 OHMS
NOISE (MAX):	50 mV	50 mV

PRESSURE: .5 ± 2 PSIG
 LEAK RATE (MAX): 3 CU IN/MIN
 TORQUE (MAX): 20 IN-LBS
 MATERIAL: ALUMINUM ALLOY
 WEIGHT (MAX): 25 LBS
 FINISH: TBD
 PRIME PER MIL-P-23377 & PAINT PER MIL-C-46168D, TYPE II,
 COLOR 383 GREEN (34094) IN ACCORDANCE WITH FED-STD-595.
 NO PAINT ON CONNECTORS & SURFACE MARKED Δ



THIRD ANGLE PROJECTION		DIAMOND ANTENNA & MICROWAVE CORP LITTLETON, MA 01460	
DIMENSIONS ARE IN INCHES. REMOVE ALL BURRS AND SHARP EDGES .005 MAX, UNLESS OTHERWISE SPECIFIED. SURF FINISH 63 TOLERANCES ARE: FRACTIONS DECIMALS ANGLES 2/164 2 PLACES 2.00 2/12 3 PLACES 2.00		TITLE: 3 CHAN C-BAND ROTARY JOINT	
SIZE:	D	CAGE CODE: 01882	DRAWING NUMBER: CAT 23101-0
INTERPRET DIMENSIONS & TOLERANCES PER ASME Y14.5M		SCALE: 1:2	WEIGHT (EST.): SHEET 1 OF 1