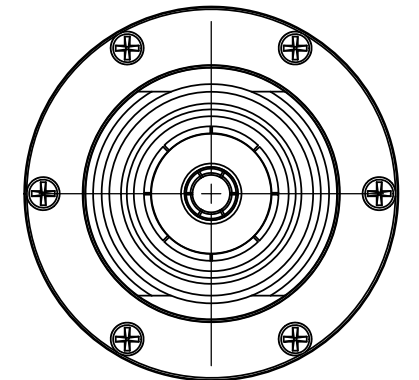
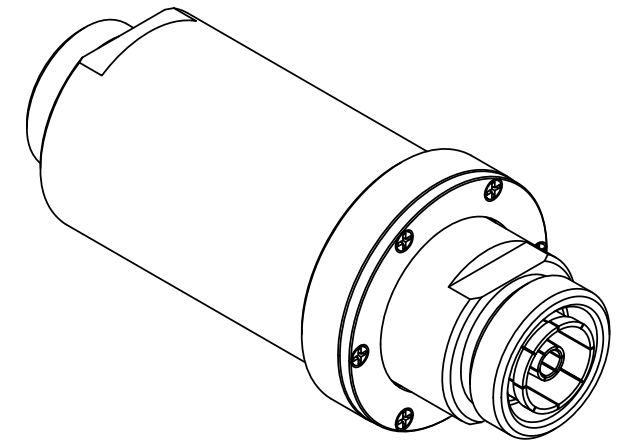
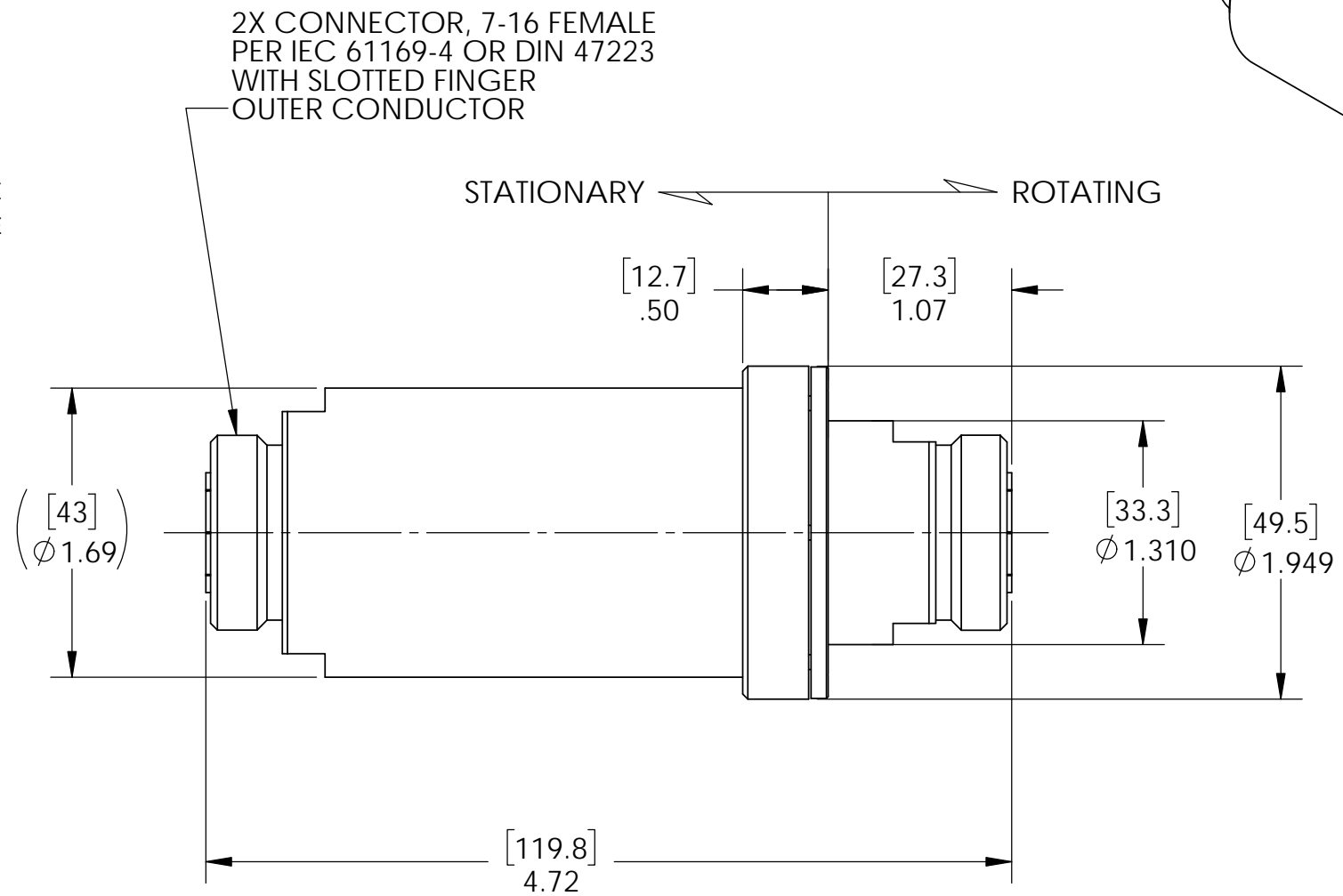
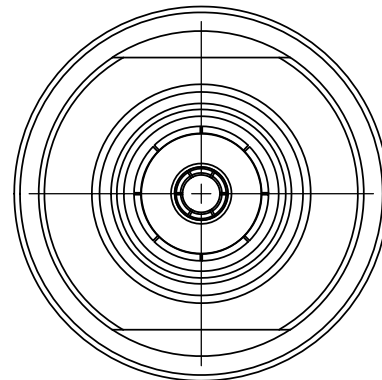


SPECIFICATIONS:

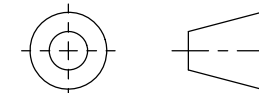
- FREQUENCY: 2.8-3.4 GHz
- VSWR, MAX: 1.06:1
- VSWR WOW, MAX: 0.05
- INSERTION LOSS, dB MAX: 0.1
- INSERTION LOSS WOW, dB MAX: 0.01
- PHASE WOW, MAX: 1°
- POWER, PEAK, KW: 50
- POWER, AVERAGE, W: 850 CW
- TEMPERATURE, OPERATING: -40°C TO +85°C
- TEMPERATURE, NON-OPERATING: -55°C TO +85°C
- IP PROTECTION LEVEL: IP54
- ROTATIONAL SPEED, MAX: 60 RPM
- ROTATIONAL RANGE: 360° CW OR CCW
- TORQUE, STARTING, MAX: 92 OZ IN (0.65 Nm) @ ROOM TEMPERATURE
- TORQUE, RUNNING, MAX: 71 OZ IN (0.50 Nm) @ ROOM TEMPERATURE
- LIFE, MIN: 100,000,000 REVS
- WEIGHT, APPROX: 2 LBS (0.9 KG)



NOTES:

1. MATERIAL & FINISH: PRIMARILY COPPER ALLOY WITH SILVER PLATING.
2. MARKING: PERMANENT STANDARD DIAMOND LABEL CONTAINING MANUFACTURER NAME, MODEL NO. 83-2124-0, SER. NO STARTING AT 0001 & CODE IDENT. 01882.

THIRD ANGLE PROJECTION



DIMENSIONS ARE IN INCHES. REMOVE ALL BURRS AND SHARP EDGES .005 MAX, UNLESS OTHERWISE SPECIFIED, SURF FINISH 63 TOLERANCES ARE:
 FRACTIONS ±1/64 DECIMALS 2 PLACES ±.03 ANGLES ±1/2°
 3 PLACES ±.010

INTERPRET DIMENSIONS & TOLERANCES PER ASME Y14.5M

DIAMOND ANTENNA & MICROWAVE CORP
 LITTLETON, MA 01460

TITLE: 7/16 COAX ROTARY JOINT

SIZE: B	CAGE CODE: 01882	DRAWING NUMBER: CAT 83-2124-0
---------	------------------	-------------------------------

SCALE: 1:1	WEIGHT (EST.):	SHEET: 1 OF 1
------------	----------------	---------------