

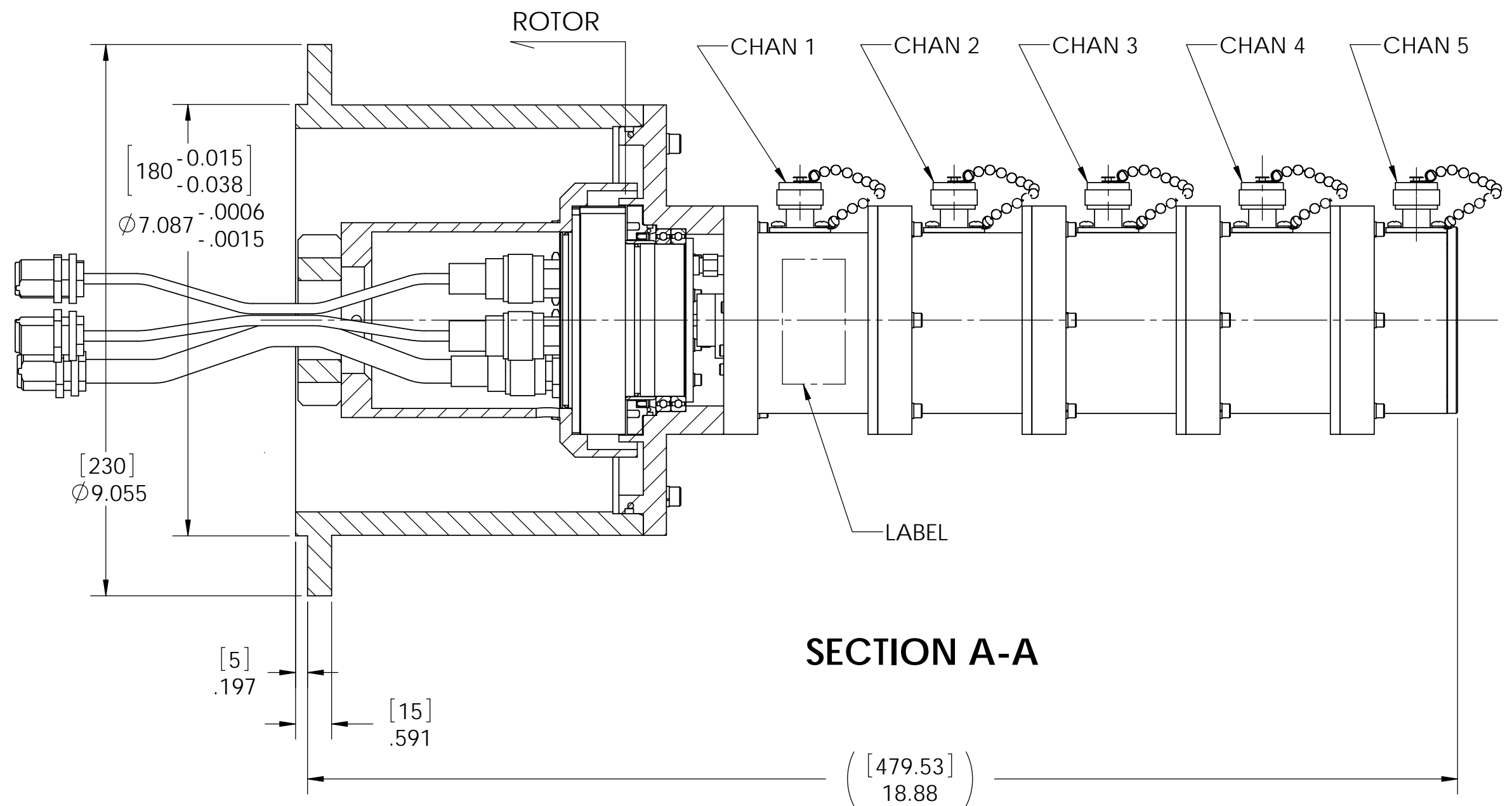
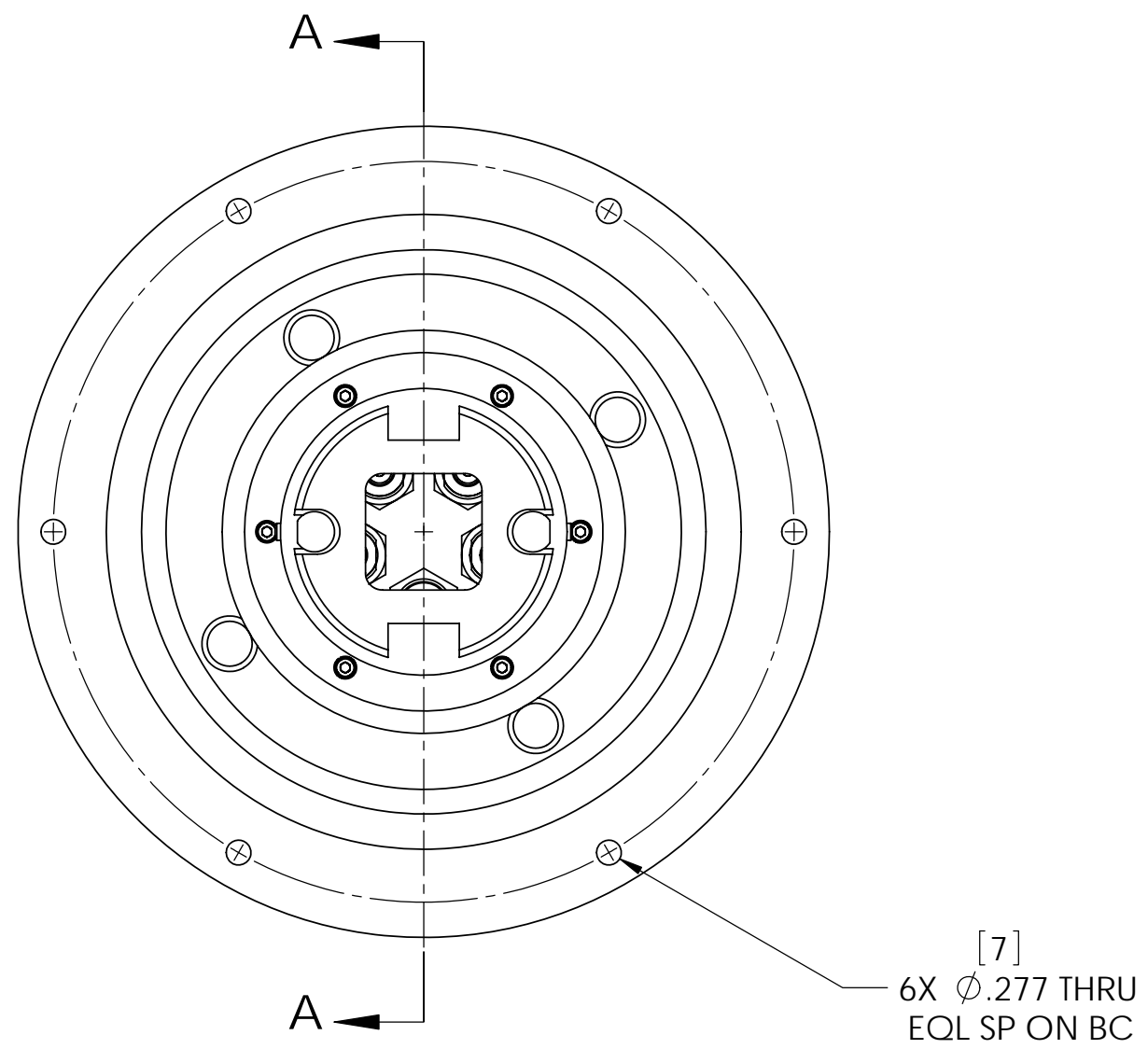
SPECIFICATIONS

	CHAN 1	CHAN 2	CHAN 3	CHAN 4	CHAN 5
FREQUENCY (MHz)	1250-1350	1030-1090	1030-1090	740	740
VSWR (MAX)	1.3:1	1.4:1	1.4:1	1.6:1	1.6:1
VSWR WOW (MAX)	0.05	0.05	0.05	0.05	0.05
INSERTION LOSS (dB max)	0.5	0.6	0.6	0.9	0.9
PHASE WOW	2°	2°	2°	2°	2°
PEAK POWER (W)	5000	2000	2000		
MEAN POWER (W)	500	20	20		
CONNECTOR	TYPE N	TYPE N	TYPE N	TYPE N	TYPE N

PHASE TRACKING ±2° MAX, CHAN 2 & 3
 ±2° MAX, CHAN 4 & 5
 ISOLATION >60dB

WEIGHT 25 LBS (ESTIMATE)
 TEMPERATURE -40°C TO +60°C
 HUMIDITY 95% MAX
 ROTATION RATE 15-20 RPM
 TORQUE 4 FT LBS (ESTIMATE)
 MATERIAL PRIMARILY ALUMINUM
 FINISH TBD
 MARKING DIAMOND STD LABEL, LOCATED APPROX WHERE SHOWN
 ENVIRONMENTAL IP65 (ANY WATER ENTERING ROTOR END WILL DRAIN OFF WITHOUT COLLECTING)

ROHS COMPLIANT



THIRD ANGLE PROJECTION				DIAMOND ANTENNA & MICROWAVE CORP LITTLETON, MA 01460	
DIMENSIONS ARE IN INCHES. REMOVE ALL BURRS AND SHARP EDGES .005 MAX, UNLESS OTHERWISE SPECIFIED. SURF FINISH 63 TOLERANCES ARE: FRACTIONS DECIMALS ANGLES ±1/64 2 PLACES ±.03 ±1/2 3 PLACES ±.010				TITLE: 5 CHANNEL COAX R/J	
SIZE:	CAGE CODE:	DRAWING NUMBER:			
C	01882	CAT 10-2555-0			
SCALE	1:2	WEIGHT (EST.):			
			SHEET 1 OF 1		