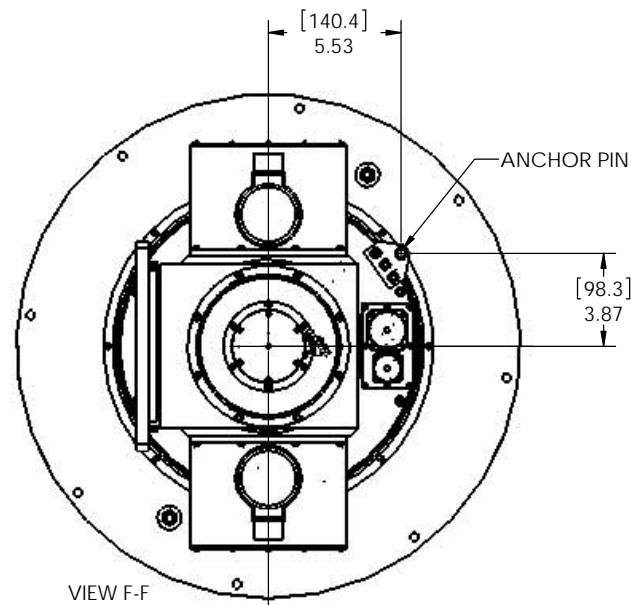
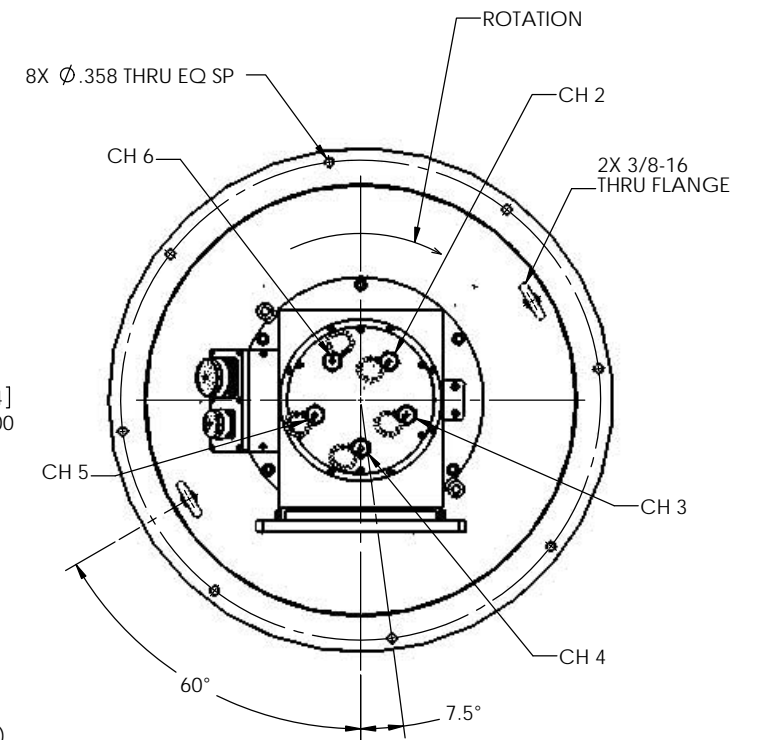
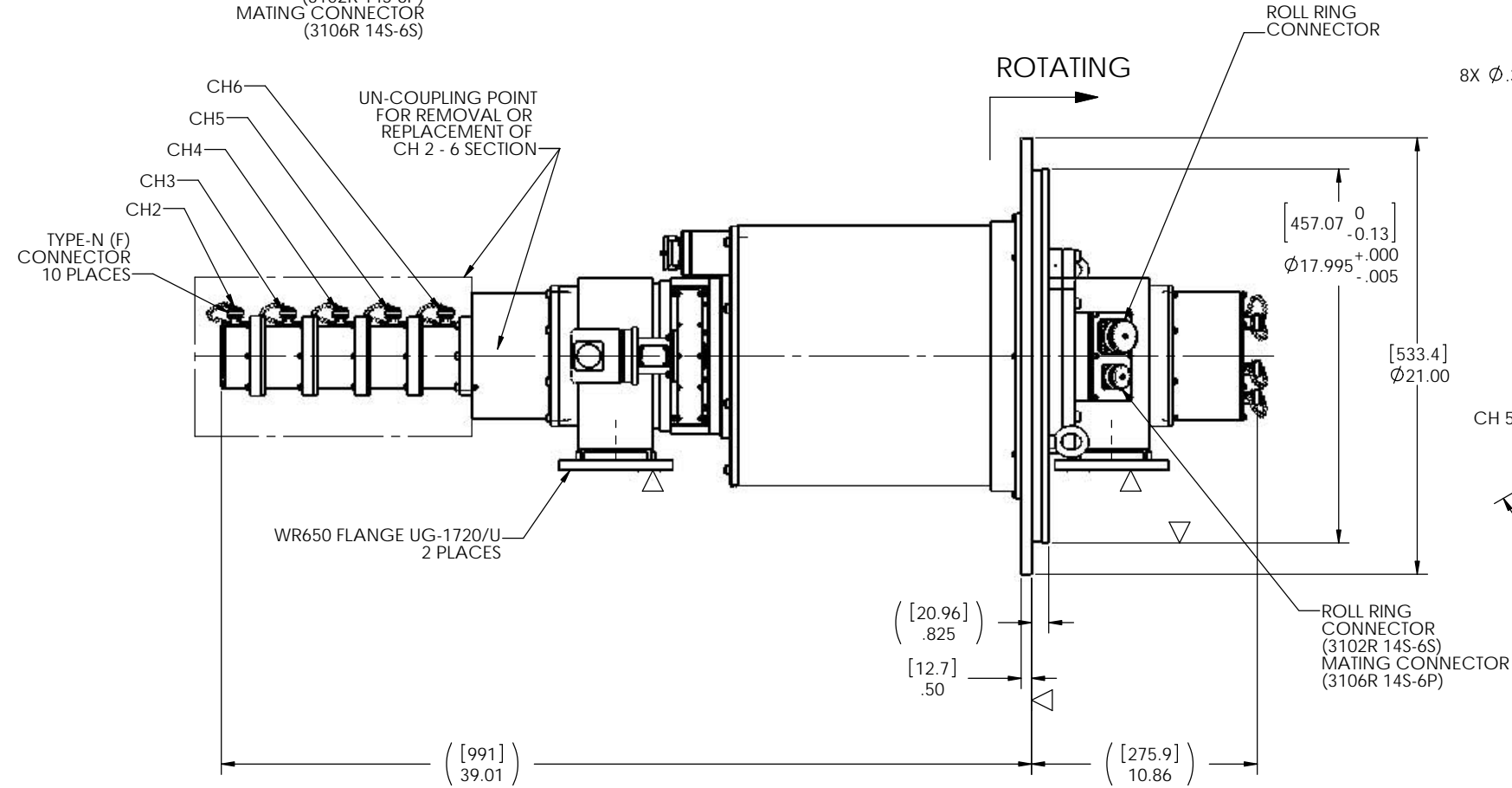
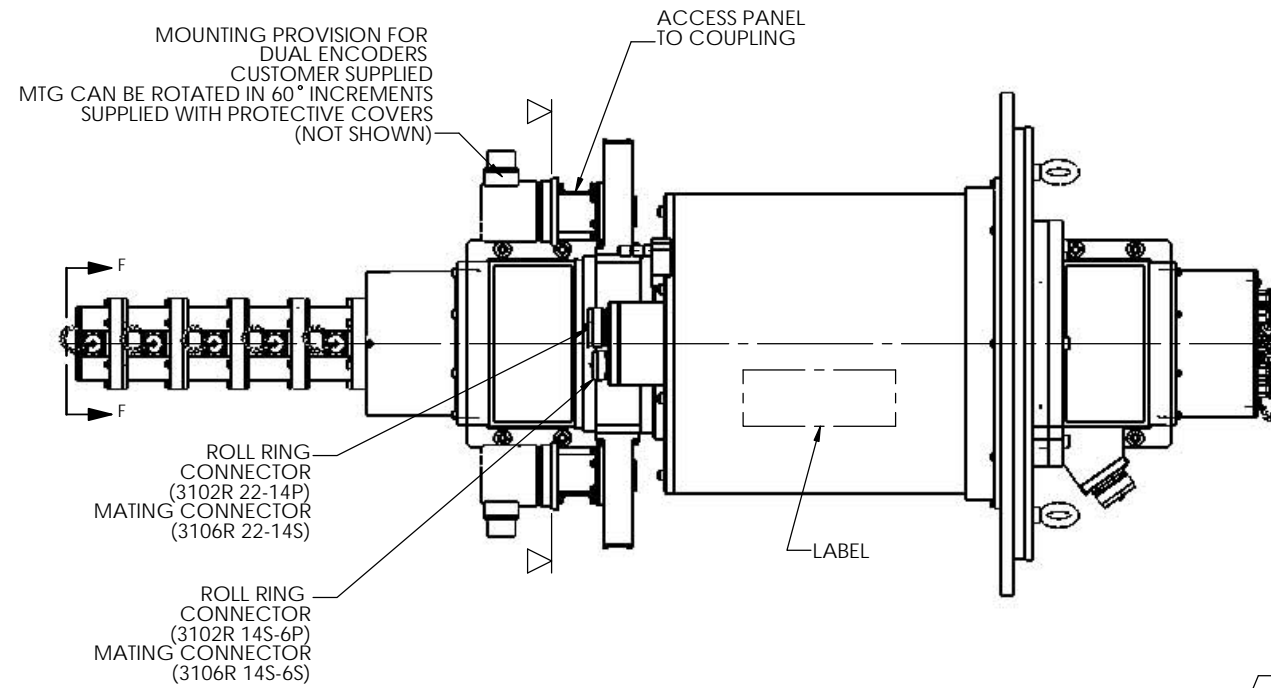


SPECIFICATIONS						
	CH1	CH2	CH3	CH4	CH5	CH6
FREQUENCY (GHz)	1.25 - 1.35	1.25 - 1.35			0.99 - 1.13	
VSWR (MAX):	1.25:1	1.3:1	1.3:1	1.25:1	1.25:1	1.25:1
VSWR WOW (MAX):	0.05	0.1	0.1	0.06	0.06	0.06
INS. LOSS (dB MAX):	0.15	0.8	0.8	0.65	0.65	0.65
INS. LOSS WOW (dB MAX):	0.1	0.1	0.1	0.05	0.05	0.05
PHASE WOW (DEG. MAX):	1	1	1	1	1	1
PEAK POWER (KW) (NO PRESSURE 2:1 LOAD):	100	10	10	10	10	10
AVG. POWER (W) (NO PRESSURE 2:1 LOAD):	10,000	30	30	400	400	400
CHANNEL ISOLATION (MIN):	60dB					

ROTATION SPEED: 15 RPM MAX  
 TORQUE: 19Nm (14 FT LBS)  
 LIFE @ 15 RPM: 120 MILLION REVS  
 TEMP, OPERATING: -40° - + 55°C  
 TEMP, STORAGE: -50° - + 70°C  
 SURFACE LEVEL: 3000 M ABOVE SEA LEVEL  
 5500 M ABOVE SEA LEVEL WITH A MIN OF 3 PSIG CLEAN, DRY AIR

RELATIVE HUMIDITY: 100%  
 MATERIAL: ALUMINUM  
 FINISH: TBD  
 PAINT: TBD  
 WEIGHT: 220 lbs MAX, 210 TYP  
 PRESSURE: 15 PSIG  
 LEAKAGE (MAX): 50 CC/MIN  
 MASK CONNECTORS & SURFACES MARKED Δ

ROHS COMPLIANT



THIRD ANGLE PROJECTION		DIAMOND ANTENNA & MICROWAVE CORP LITTLETON, MA 01460	
DIMENSIONS ARE IN INCHES. REMOVE ALL BURRS AND SHARP EDGES .005 MAX, UNLESS OTHERWISE SPECIFIED. SURF FINISH 63/ TOLERANCES ARE: FRACTIONS DECIMALS ANGLES 2/164 3 PLACES 4.00 1/12 3 PLACES 4.00 1/12		TITLE: 6 CHAN RJ WITH 20 CHAN ROLL RING	
SIZE: D	CAGE CODE: 01882	DRAWING NUMBER: CAT 10-2630-0	
SCALE: 1:4	WEIGHT (EST.):	SHEET 1 OF 1	