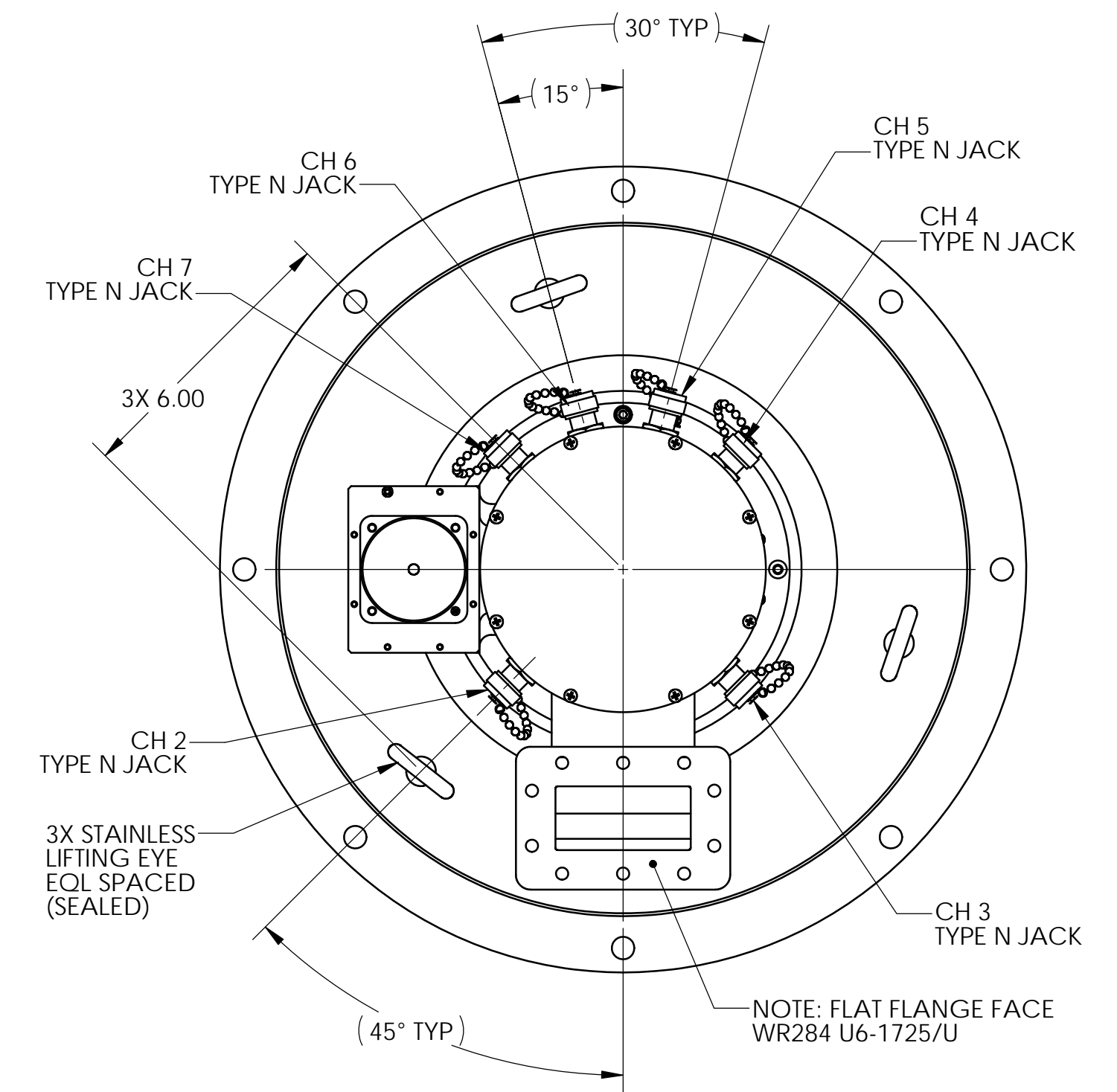
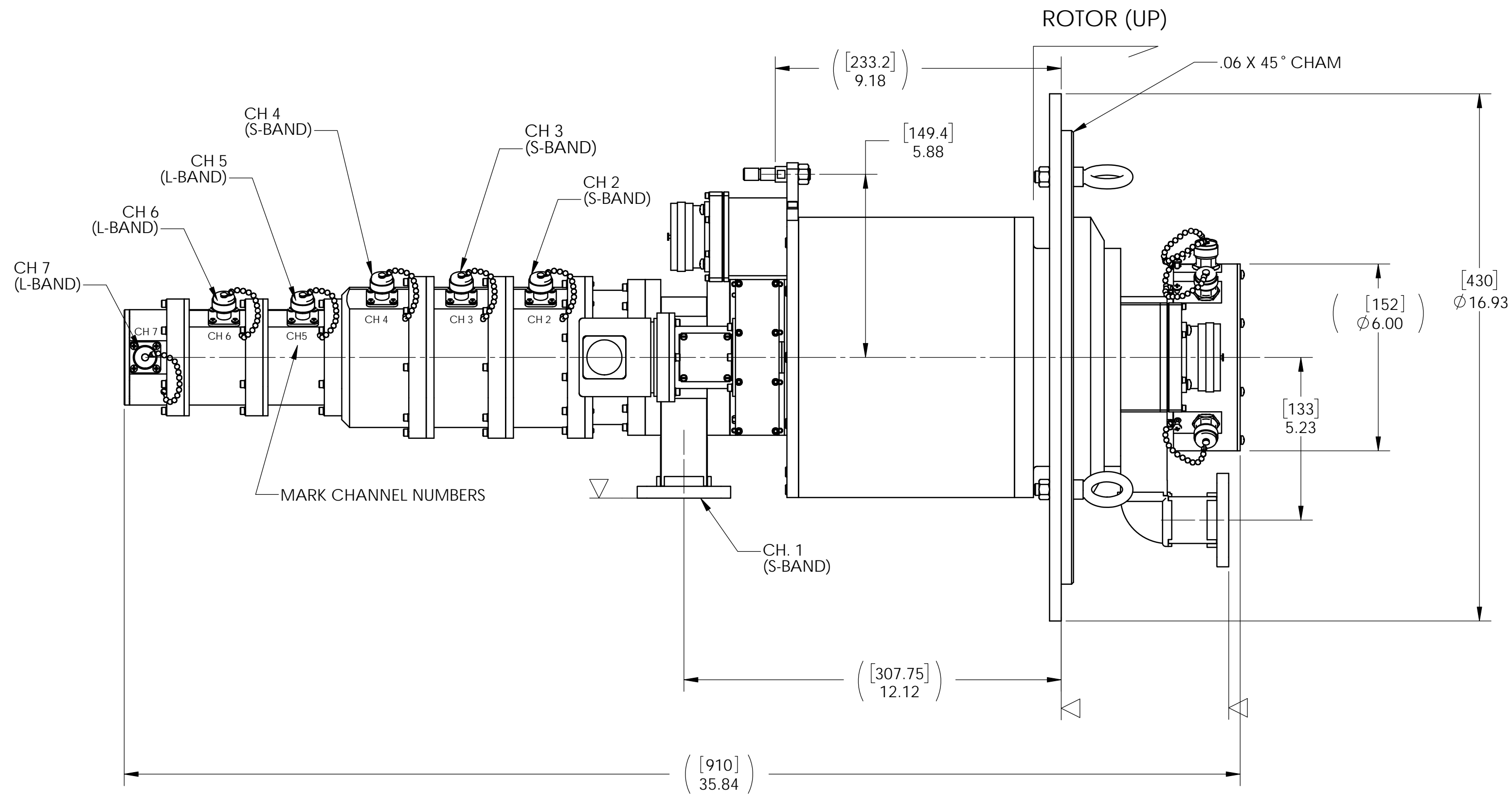
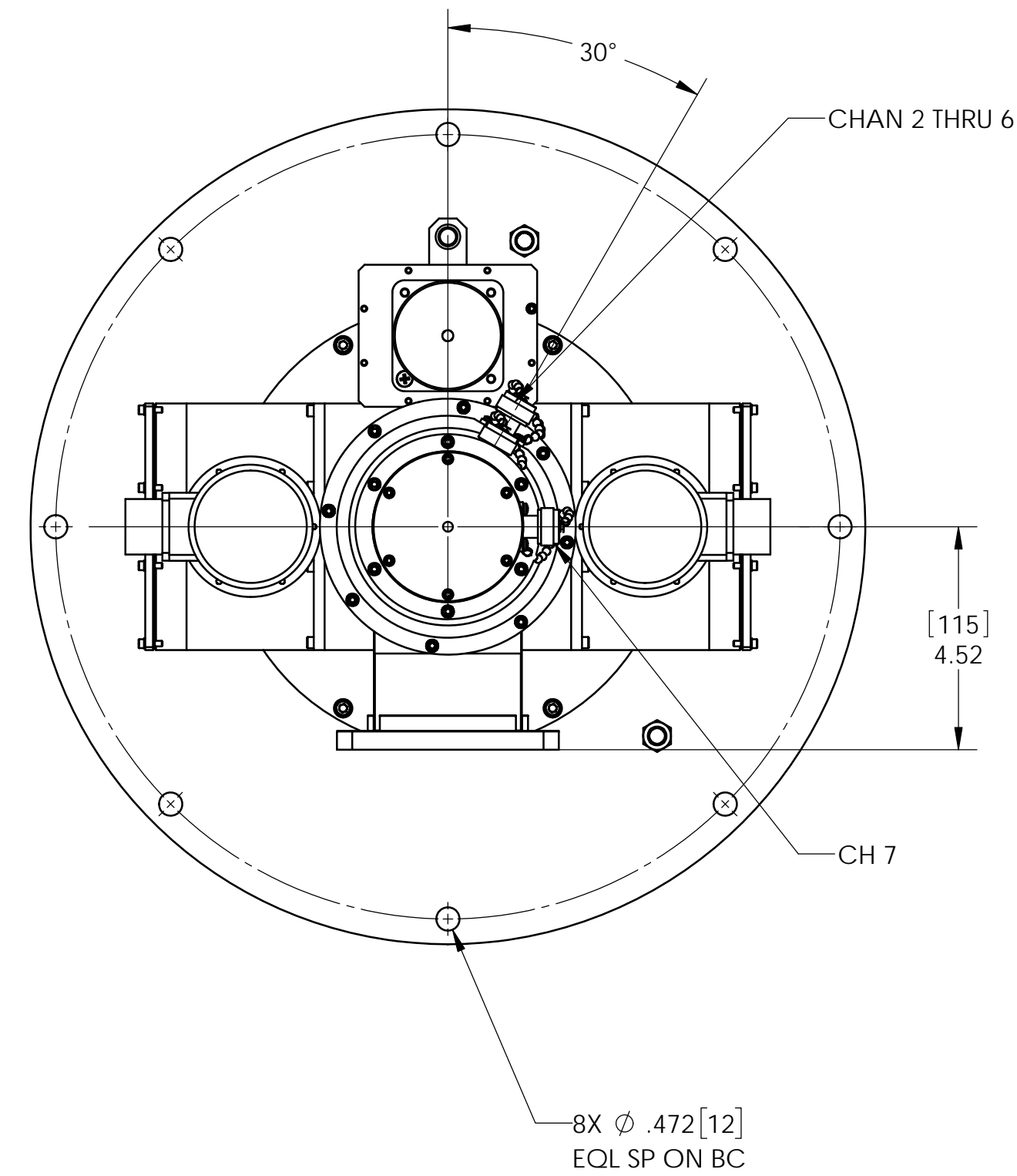
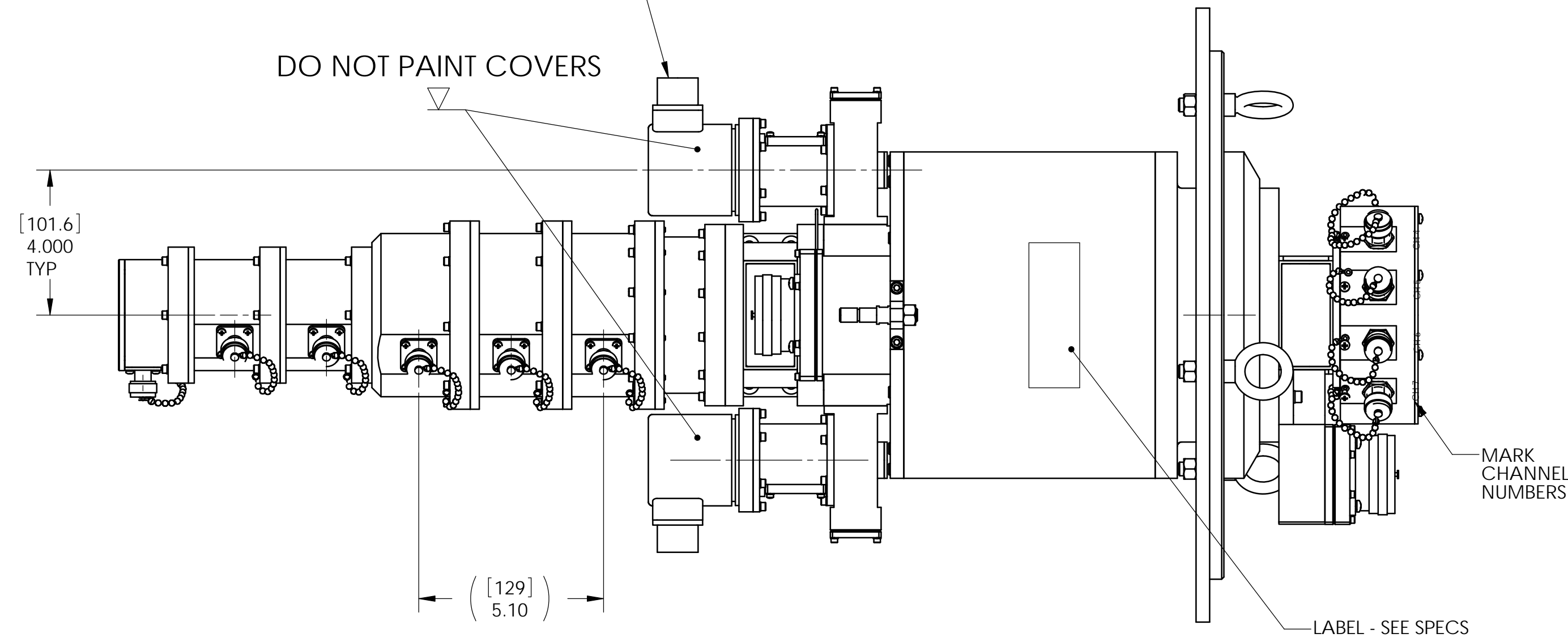


SPECIFICATIONS

	CH 1	CH 2	CH 3	CH 4	CH 5	CH 6	CH 7
FREQUENCY (GHz):	2.7 TO 2.9	2.7 TO 2.9	2.7 TO 2.9	2.7 TO 2.9	.99 TO 1.13	.99 TO 1.13	.99 TO 1.13
VSWR (MAX):	1.2:1	1.3:1	1.3:1	1.3:1	1.3:1	1.3:1	1.3:1
VSWR WOW (MAX):	0.06	0.06	0.06	0.06	0.06	0.06	0.06
INSERTION LOSS (dB MAX):	0.2	.8	.8	.8	1.0	1.0	1.0
PHASE WOW:	-	1°	1°	1°	1°	1°	1°
PEAK POWER (KW):	40	2	2	2	4	4	4
AVG. POWER:	3500W	200W	200W	200W	400W	400W	400W
PHASE TRACKING (L-BAND COAX ONLY):	±2° MAX BETWEEN CHANNELS 5, 6 & 7						
ISOLATION:	70dB BETWEEN CHANNELS						
WEIGHT:	(APPROX WEIGHT 70 LBS)						
TEMPERATURE (OPER):	-40° TO 55°C						
HUMIDITY (RH):	100%						
INGRESS PROTECTION RATING:	IP 65						
PRESSURE:	POSITIVE PRESSURE TO 2 PSI						
LEAKAGE:	25cc/min MAX @ 5 PSI ACROSS OPER TEMP RANGE @ 10,000 FT ABOVE SEA LEVEL.						
ROTATION RATE:	15 RPM NOMINALLY						
LIFE EXPECTANCY:	50,000 HRS. @ 15 RPM MAX (CONTINUOUS)						
TORQUE:	15 FT-LBS MAX						
FINISH:	TBD MASK AREAS INDICATED BY Δ DO NOT PAINT CONNECTORS OR CONNECTOR COVERS						
MARKING:	PLAIN LABEL TO INCLUDE: CUSTOMER P/N S/N						

ROHS COMPLIANT

DUAL ENCODERS AND 10 FT. CABLES WITH M18 MATING CONNECTOR ONE END AND UNTERMINATED OTHER END MTG PLATE CAN BE ROTATED IN 60° INCREMENTS (CABLES NOT SHOWN)



THIRD ANGLE PROJECTION		DIAMOND ANTENNA & MICROWAVE CORP LITTLETON, MA 01460	
DIMENSIONS ARE IN INCHES. REMOVE ALL BURRS AND SHARP EDGES .005 MAX, UNLESS OTHERWISE SPECIFIED. SURF FINISH 63. TOLERANCES ARE: FRACTIONS DECIMALS ANGLES 1/16 3 PLACES 1.010 1/16 1.010		TITLE: MAIN ASSEMBLY	
SIZE: D	CAGE CODE: 01882	DRAWING NUMBER: CAT 12-2720-0	
SCALE: 1:3	WEIGHT (EST.):	SHEET 1 OF 2	