

SPECIFICATIONS

| | CH 1 | CH 2 | CH 3 | CH 4 | CH 5 | CH 6 | CH 7 |
|--------------------------|-----------|-----------|-----------|-----------|-----------|-------|-------|
| FREQUENCY (MHz): | 1030-1090 | 1030-1090 | 1030-1090 | 1250-1350 | 1250-1350 | 740 | 740 |
| VSWR (MAX): | 1.3:1 | 1.3:1 | 1.3:1 | 1.5:1 | 1.3:1 | 1.5:1 | 1.5:1 |
| VSWR WOW (MAX): | 0.06 | 0.06 | 0.06 | 0.06 | 0.06 | 0.06 | 0.06 |
| INSERTION LOSS (dB MAX): | 0.9 | 0.9 | 0.9 | 0.6 | 1.1 | 1.6 | 1.6 |
| PEAK POWER: | 2000 W | 2000 W | Rx | 10 kW | Rx | Rx | Rx |
| MEAN POWER: | 100 W | 100 W | Rx | 1 kW | Rx | Rx | Rx |

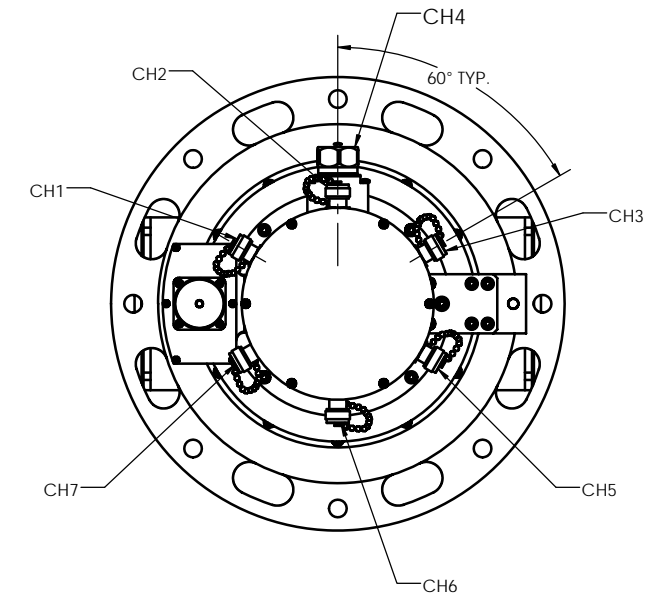
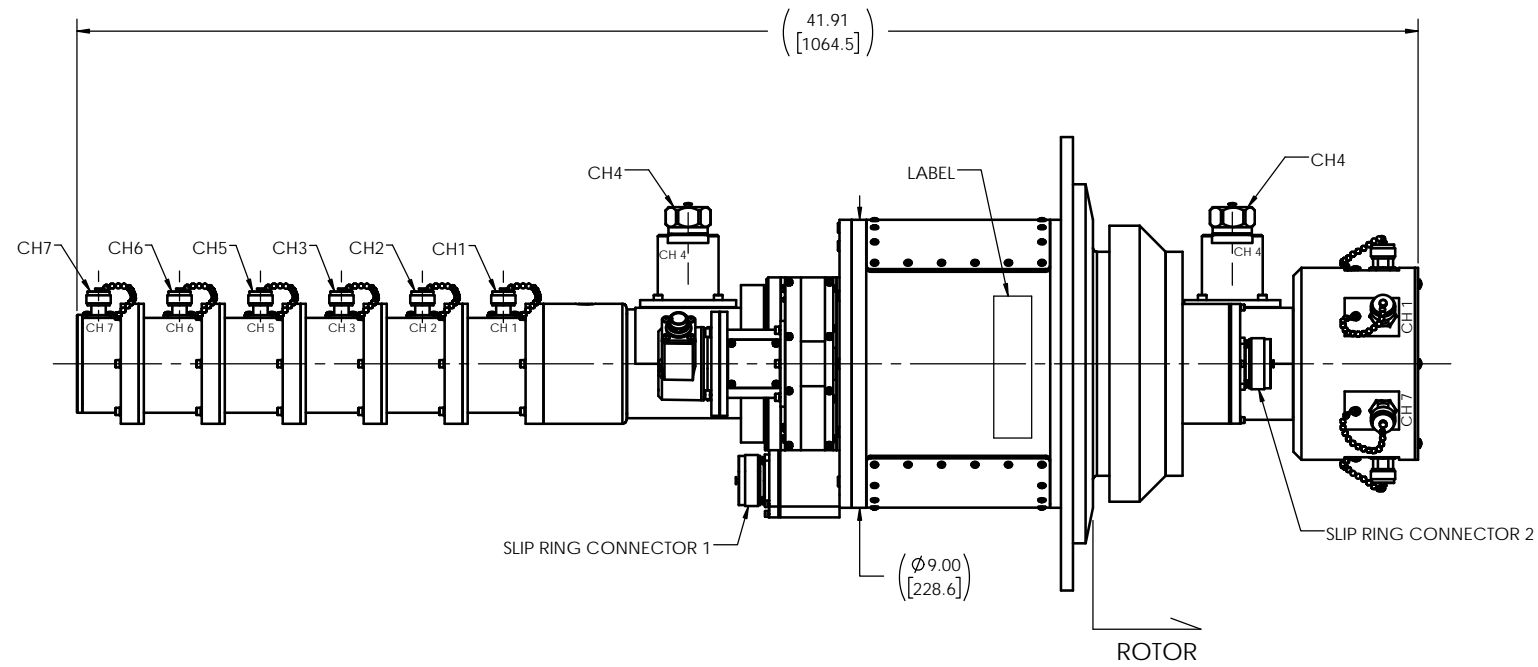
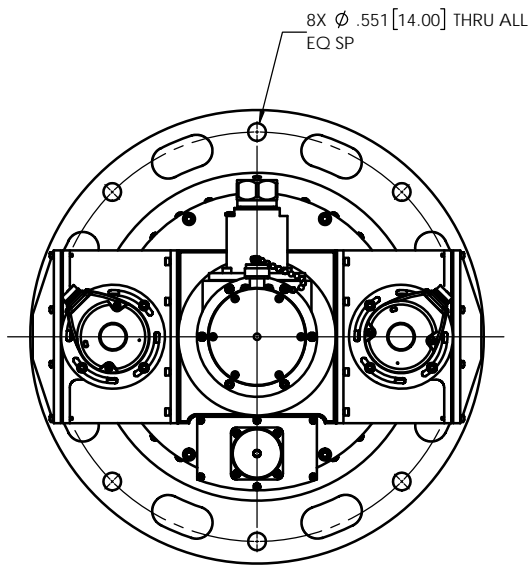
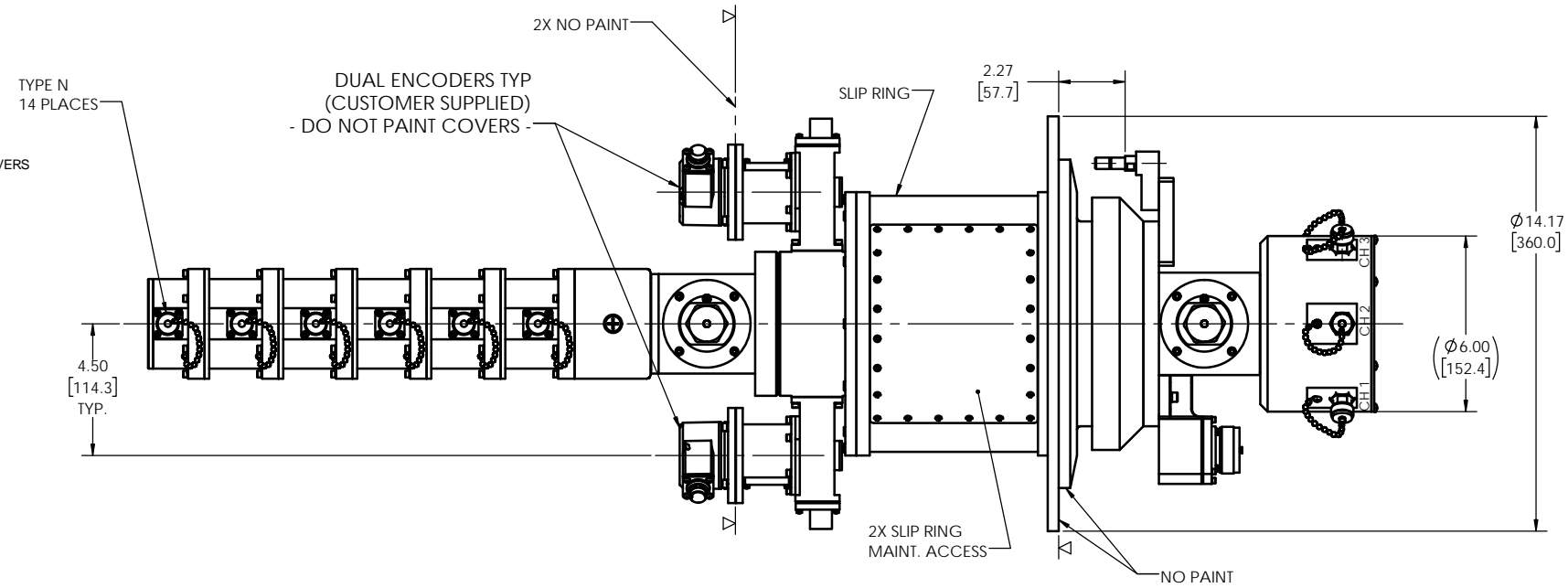
ISOLATION: 60dB BETWEEN CHANNELS
 WEIGHT: 100 LBS. (MAX.)
 MATERIAL: PREDOMINANTLY ALUMINUM ALLOY
 TEMPERATURE (OPER): -40° TO 70°C
 (STORAGE): -55° TO 85°C
 HUMIDITY (RH): 100%
 INGRESS PROTECTION RATING: IP 62
 ROTATION RATE: 15 RPM NOMINALLY
 TORQUE: 15 FT-LBS MAX
 FINISH: TBD
 PAINT: TBD
 NO PAINT: INDICATED BY ∇ & ON NOTED SURFACES, CONNECTORS & CONNECTOR COVERS
 MARKING: LABELS TO INCLUDE:
 DIAMOND PART NO.
 REVISION
 SERIAL NUMBER

RoHS COMPLIANT

SLIP RING

15 CHANNELS: 5 @ 380V, 3A
 10 @ 24V, 0.5A

ALL DIMENSIONS SHOWN AS REFERENCE ARE SUBJECT TO CHANGE.



| | | | |
|--|--------------|---|------------------|
| THIRD ANGLE PROJECTION | | DIAMOND ANTENNA & MICROWAVE CORP LITTLETON, MA 01460 | |
| DIMENSIONS ARE IN INCHES. REMOVE ALL BURRS AND SHARP EDGES .005 MAX, UNLESS OTHERWISE SPECIFIED. SURF FINISH 63. | | TITLE: 7 CHAN ROTARY JOINT W/ 15 CHAN SLIP RING | |
| TOLERANCES ARE: FRACTIONS DECIMALS ANGLES 2/1000 0.010 1/16 | | SIZE: D | CAGE CODE: 01882 |
| INTERPRET DIMENSIONS & TOLERANCES PER ASME Y14.5M | | DRAWING NUMBER: CAT 10-2762-0 | WEIGHT (EST.): |
| SCALE: 1:3 | SHEET 1 OF 1 | | |