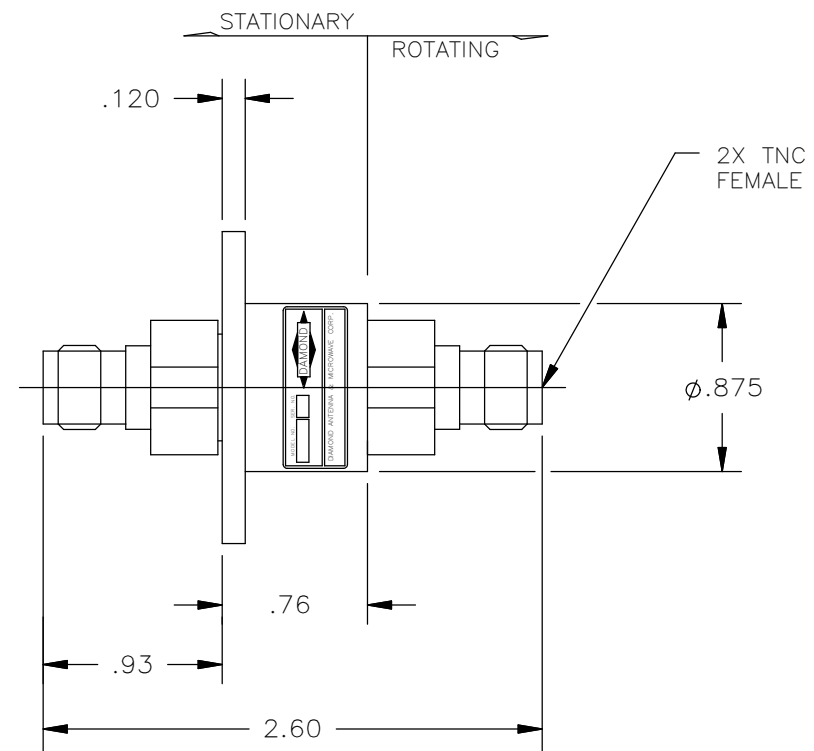
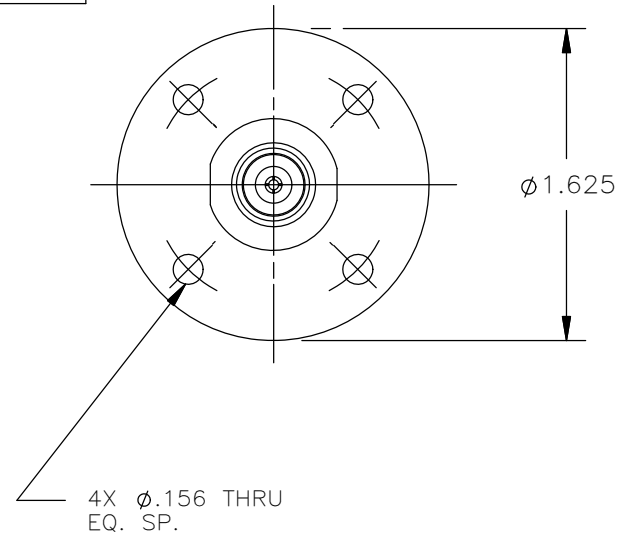


---TYPICAL DATA---

FREQUENCY:	DC-4.0 GHz	4.0-8.0 GHz	8.0-12.4 GHz
VSWR:	1.05:1	1.10:1	1.25:1
INSERTION LOSS:	.10dB	.20dB	.30dB
PHASE WOW:	.05°	.1°	.2°

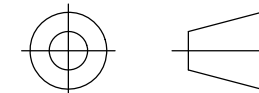


--DESIGN SPECIFICATIONS--

FREQUENCY:	DC-12.4 GHz
VSWR (MAX):	1.35:1
VSWR WOW (MAX):	.03
INSERTION LOSS (MAX):	.40dB
WOW (MAX):	.05dB
POWER, PEAK:	10 KW
POWER, AVERAGE:	1 KW @ 1 GHz
PHASE WOW (MAX):	.5°

TORQUE (MAX):	8 oz-in
ROTATIONAL SPEED:	TO 1000 RPM
LIFE:	25,000 HRS @ 50 RPM
MATERIAL:	STAINLESS STEEL
FINISH:	PASSIVATE
WEIGHT:	4.5 oz. WITH MOUNTING FLANGE 3.5 oz. WITHOUT MOUNTING FLANGE

THIRD ANGLE PROJECTION



DIMENSIONS ARE IN INCHES.
REMOVE ALL BURRS AND
SHARP EDGES .005 MAX,
UNLESS OTHERWISE
SPECIFIED, SURF FINISH 63
TOLERANCES ARE:
FRACTIONS DECIMALS ANGLES
 $\pm 1/64$ 2 PLACES $\pm .03$ $\pm 1/2^\circ$
3 PLACES $\pm .010$

INTERPRET DIMENSIONS &
TOLERANCES PER ASME Y14.5M

DIAMOND ANTENNA & MICROWAVE CORP
LITTLETON, MA 01460

TITLE:
COAXIAL ROTARY JOINT (TNC)

SIZE:	CAGE CODE:	DRAWING NUMBER:
B	01882	CAT 2121/12F-0

SCALE	WEIGHT (EST.):	SHEET
1:1		1 OF 1