

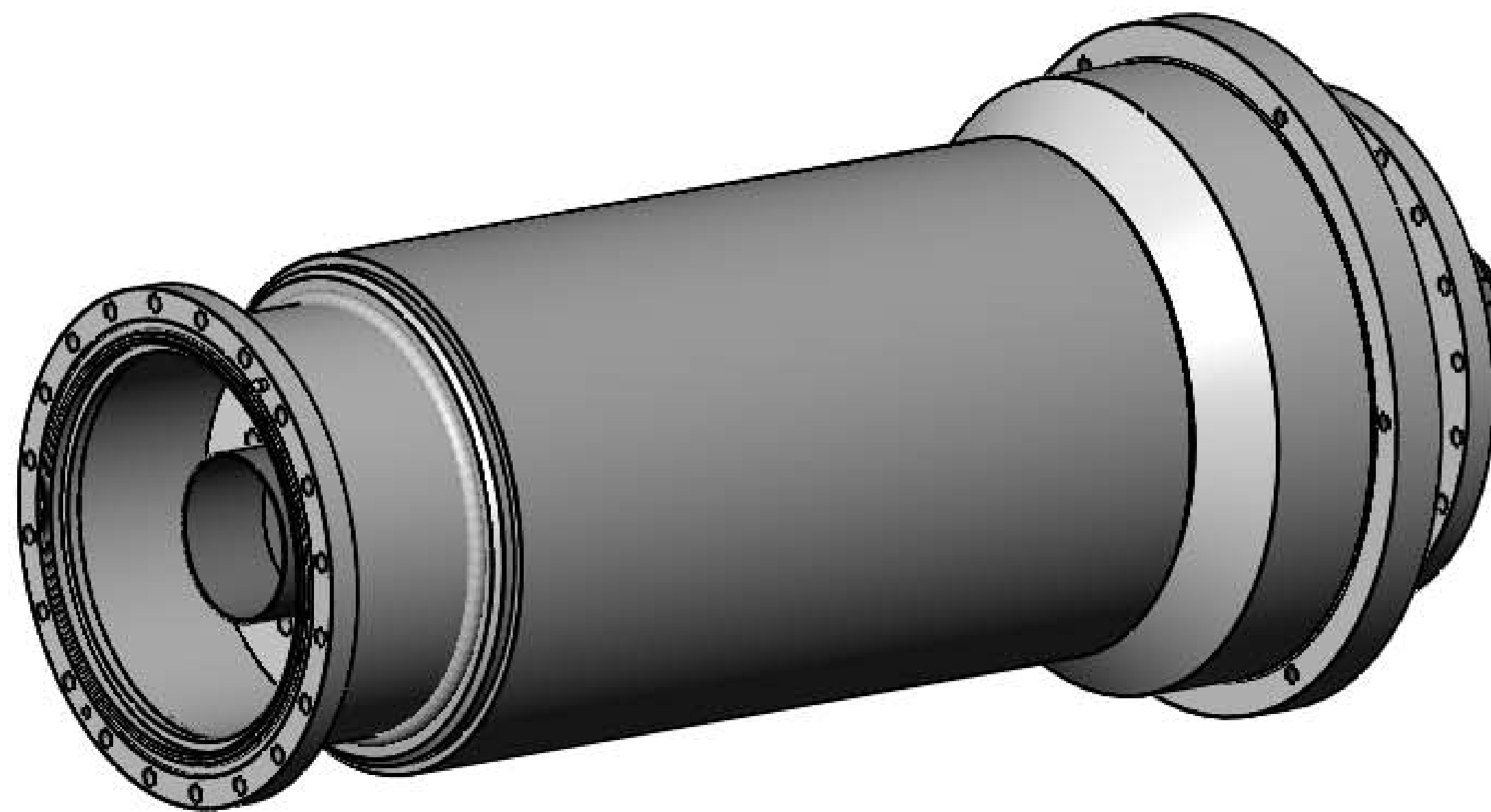
DESIGN SPECIFICATIONS

ELECTRICAL

- FREQUENCY (MHz) : VHF
- VSWR (MAX) : 1.05:1
- VSWR WOW (MAX) : .02:1
- INSERTION LOSS (MAX) : .05 dB
- PHASE WOW (deg) : <1 DEG.
- POWER, AVG : 225 kW
- POWER, PEAK : 10 MW
- PULSE WIDTH : 1120 μSEC MAX @20 PSIG
- LOAD VSWR (MAX) : 1.5:1
- IMPEDANCE : 50.0 Ω
- FLANGES : (1) BOLT, FIXED
(1) BOLT, SWIVEL

MECHANICAL & ENVIRONMENTAL

- ROTATIONAL SPEED : 5 RPM MAX.
- TEMPERATURE, OPERATING : +32° F TO +120° F
- TEMPERATURE, STORAGE : -65° F TO +120° F
- PRESSURE : 60 PSIG CLEAN DRY AIR
- LEAK RATE : < 2 CU IN. PER MIN (@23°C)
- LIFE EXPECTANCY : > 10 YEARS
- STARTING TORQUE : 35 FT-LBS @ 60 PSIG @ 23°C
- WEIGHT : 150 LBS EST.
- MATERIAL : ALUMINUM ALLOY PRIMARILY W/COPPER INNER CONDUCTOR
- FINISH : TBD
- PRIMER : TBD
- PAINT : TBD
- LABEL : DIAMOND STD LABEL, LOCATED APPROX. WHERE SHOWN WITH DIAMOND P/N, S/N & DATE (YY/WW)



THIRD ANGLE PROJECTION		DIAMOND ANTENNA & MICROWAVE CORP LITTLETON, MA 01460	
DIMENSIONS ARE IN INCHES. REMOVE ALL BURRS AND SHARP EDGES .005 MAX, UNLESS OTHERWISE SPECIFIED. SURF FINISH 63√		TITLE: RF COAXIAL COUPLER, ROTARY, 9 3/16" EIA	
TOLERANCES ARE: FRACTIONS DECIMALS ANGLES ±1/64 ±.010 ±10°		SIZE: D	CAGE CODE: 01882
INTERPRET DIMENSIONS & TOLERANCES PER ASME Y14.5M		DRAWING NUMBER: CAT 15-2104-0	WEIGHT (EST.):
SCALE: 1:2	WEIGHT (EST.):	SHEET 1 OF 1	