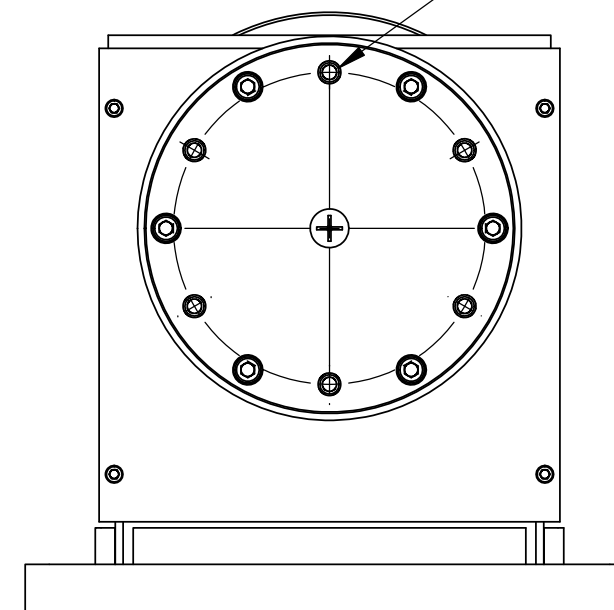
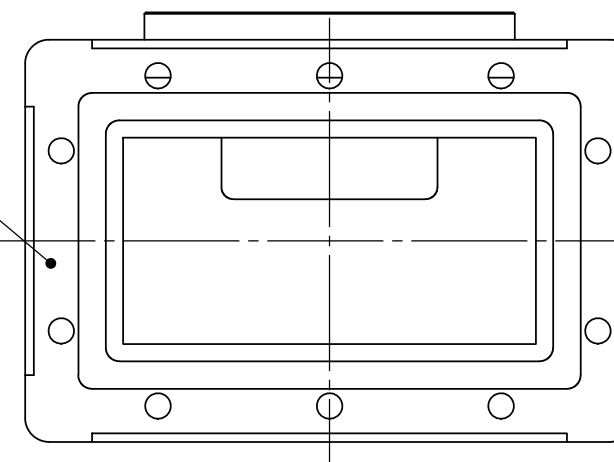


6X 10-32 X 2-1/2 DIA HELICOIL INSERTS
 P/N 1191-3CN-0475, MS-124775 PER MS-33537
 EQL SP ON BC AS SHOWN
 (BOTH ENDS OF ROTARY JOINT)



2X - CPR 430G
 UG-1345/U
 WAVEGUIDE COVER FLANGE
 GROOVED COVER



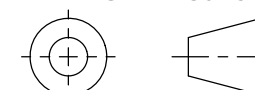
ELECTRICAL SPECIFICATIONS

FREQUENCY: 1.755-1.850 & 2.025-2.110 GHz
 VSWR: 1.25:1 MAX
 VSWR WOW (MAX): 0.04 / 360°
 INSERTION LOSS (MAX): 0.2 dB
 INSERTION LOSS WOW (MAX): 0.03 dB / 360°
 POWER, AVG: 10 KW CW - MAX

MECHANICAL SPECIFICATIONS

ROTATIONAL SPEED: 2.5 RPM MAX
 LEAK RATE: 2.46 CC/MIN @ 0.5 PSIG
 PRESSURE: 0.5 PSIG MAX - DRY AIR
 TORQUE: 10 FT-LBS MAX
 LIFE: 5,000 HRS
 WEIGHT: 18 LBS (ESTIMATED)
 MATERIAL: ALUMINUM ALLOY PRIMARILY
 FINISH: TBD, MASK AS INDICATED
 MARKING: AIRBRUSH LETTERS @ 0.25 HIGH IN BLACK ENAMEL TO INCLUDE:
 DIAMOND. P/N:
 SER NO: _____

THIRD ANGLE PROJECTION



DIMENSIONS ARE IN INCHES.
 REMOVE ALL BURRS AND
 SHARP EDGES .005 MAX,
 UNLESS OTHERWISE
 SPECIFIED, SURF FINISH 63
 TOLERANCES ARE:
 FRACTIONS DECIMALS ANGLES
 ±1/64 2 PLACES ±.03 ±1/2°
 3 PLACES ±.010

INTERPRET DIMENSIONS &
 TOLERANCES PER ASME Y14.5M

DIAMOND ANTENNA & MICROWAVE CORP
 LITTLETON, MA 01460

TITLE: "U-STYLE" ROTARY JOINT, WR-430

SIZE: B	CAGE CODE: 01882	DRAWING NUMBER: CAT 23-346-0
SCALE: 1:2	WEIGHT (EST.):	SHEET 1 OF 1