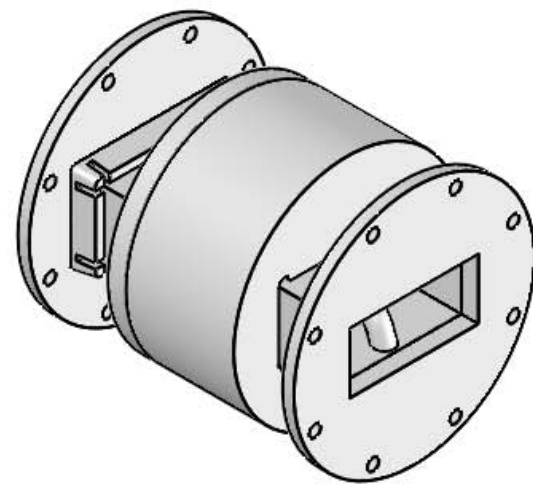
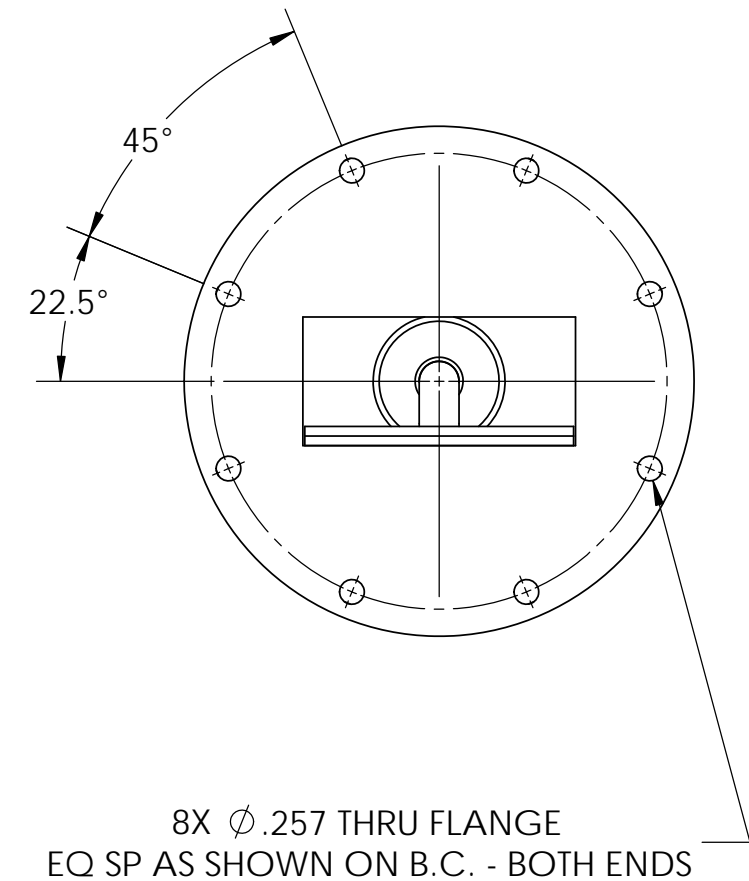
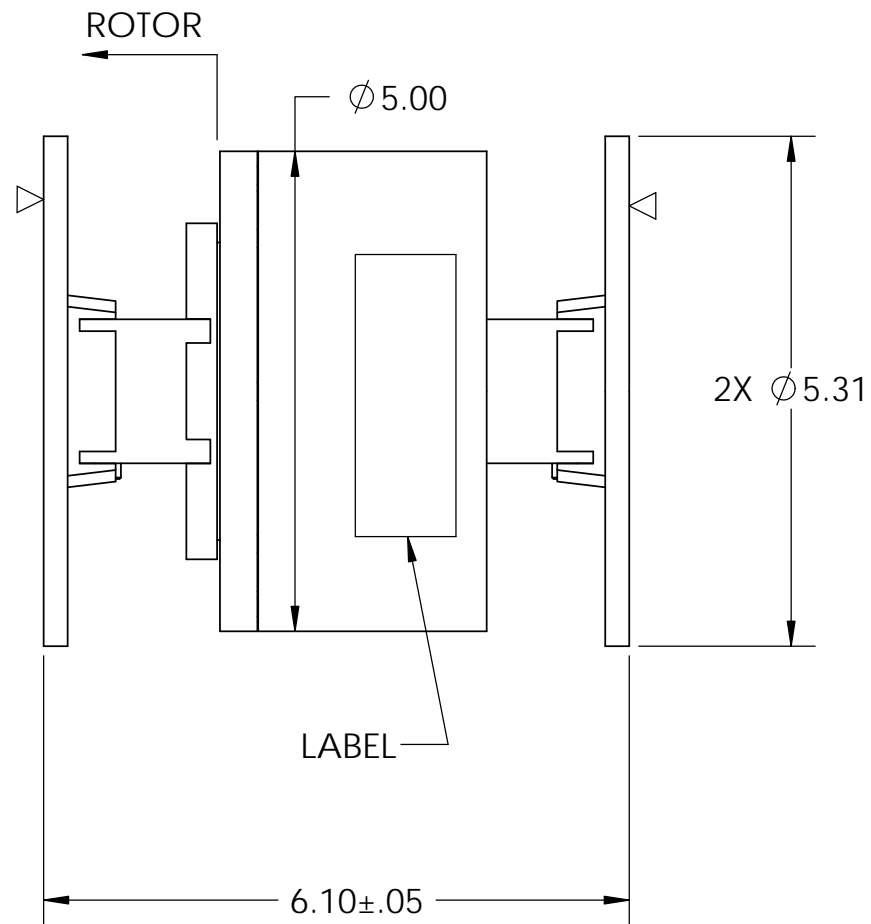


**DESIGN SPECIFICATIONS**

FREQUENCY (GHz):	2.9 - 3.1
VSWR:	1.2:1
VSWR WOW:	0.05
INSERTION LOSS (dB):	0.15
INSERTION LOSS WOW (dB):	0.05
POWER, PEAK:	2 KW
POWER, AVG:	500 W
ROTATIONAL SPEED (nom):	30 RPM
TORQUE (max):	2 ft-lbs
WEIGHT (nom):	7.2 kg, (15.8 lbs)
PRESSURE:	25 psig (min)
LEAK RATE:	20 cc/min
MATERIAL:	Aluminum
FINISH:	TBD

MARKING: Label in area indicated shall include as a minimum; Diamond logo, P/N and Serial No.



NOTE: MASK WHERE INDICATED BY ▽

THIRD ANGLE PROJECTION		<b>DIAMOND ANTENNA &amp; MICROWAVE CORP</b> LITTLETON, MA 01460										
		TITLE: "I-STYLE" R/J, WR-284										
DIMENSIONS ARE IN INCHES. REMOVE ALL BURRS AND SHARP EDGES .005 MAX, UNLESS OTHERWISE SPECIFIED, SURF FINISH 63 TOLERANCES ARE:												
<table border="0"> <tr> <td><b>FRACTIONS</b></td> <td><b>DECIMALS</b></td> <td><b>ANGLES</b></td> </tr> <tr> <td>±1/64</td> <td>2 PLACES ±.03</td> <td>±1/2°</td> </tr> <tr> <td></td> <td>3 PLACES ±.010</td> <td></td> </tr> </table>		<b>FRACTIONS</b>	<b>DECIMALS</b>	<b>ANGLES</b>	±1/64	2 PLACES ±.03	±1/2°		3 PLACES ±.010		SIZE: <b>B</b>	CAGE CODE: <b>01882</b>
<b>FRACTIONS</b>	<b>DECIMALS</b>	<b>ANGLES</b>										
±1/64	2 PLACES ±.03	±1/2°										
	3 PLACES ±.010											
DRAWING NUMBER: <b>CAT 34-445-0</b>		SCALE: <b>1:2</b>	WEIGHT (EST.):									
INTERPRET DIMENSIONS & TOLERANCES PER ASME Y14.5M			SHEET <b>1 OF 1</b>									