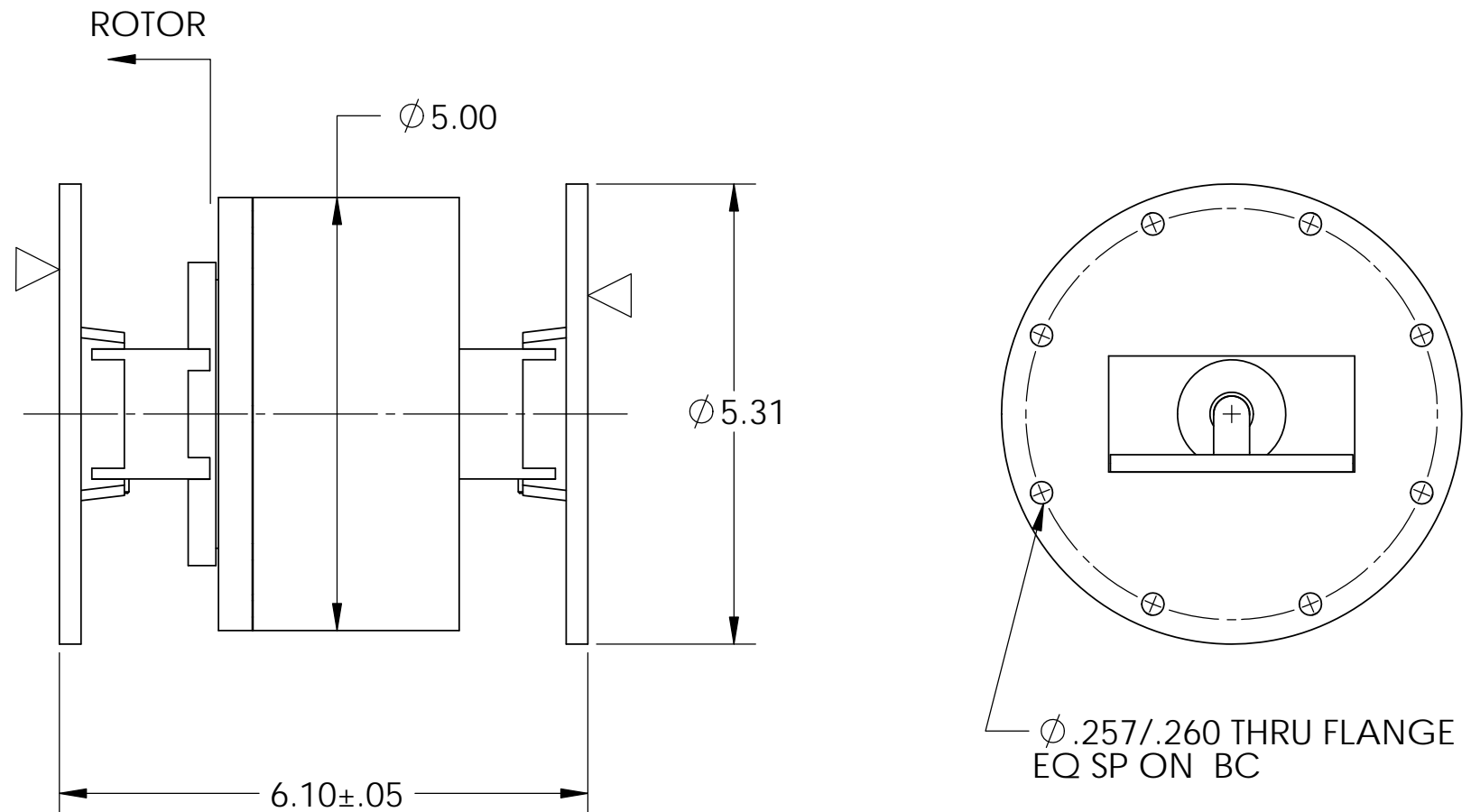


DESIGN SPECIFICATIONS

FREQUENCY (GHz): 3.1-3.5 GHz
 VSWR: 1.15
 INSERTION LOSS (max): 0.15 dB
 POWER, PEAK: 2000 KW max @ 25-30 psig
 & 1.2:1 mismatch or better
 POWER, AVG: 5 KW max

 ROTATIONAL SPEED (nom): 2 RPM
 TORQUE (max): 10 ft-lbs
 LIFE (design): 10⁶ revs @ 2 rpm
 WEIGHT (nom): 7.2 kg, (15.8 lbs)
 PRESSURE: 25 min 30 max
 TEMPERATURE (operational): -20°C to +55°C
 TEMPERATURE (storage): -40°C to +85°C
 LEAK RATE: 25 cc/min @ .2Mpa (30 psig)
 VIBRATION: 2g, 5 to 60 Hz
 SHOCK: 25g, 6 msec (½ Sine)
 MATERIAL: Aluminum
 FINISH: Chromate & paint Diamond Black , #37038

NOTE: MASK WHERE INDICATED BY ▽



THIRD ANGLE PROJECTION		DIAMOND ANTENNA & MICROWAVE CORP LITTLETON, MA 01460	
		TITLE: "I" STYLE ROTARY JOINT	
		SIZE: B	CAGE CODE: 01882
DIMENSIONS ARE IN INCHES. REMOVE ALL BURRS AND SHARP EDGES .005 MAX, UNLESS OTHERWISE SPECIFIED, SURF FINISH 63 TOLERANCES ARE: FRACTIONS ±1/64 DECIMALS 2 PLACES ±.03 ANGLES ±1/2° 3 PLACES ±.010		DRAWING NUMBER: CAT 31-445-0	
INTERPRET DIMENSIONS & TOLERANCES PER ASME Y14.5M		SCALE: 1:2	WEIGHT (EST.):
		SHEET 1 OF 1	