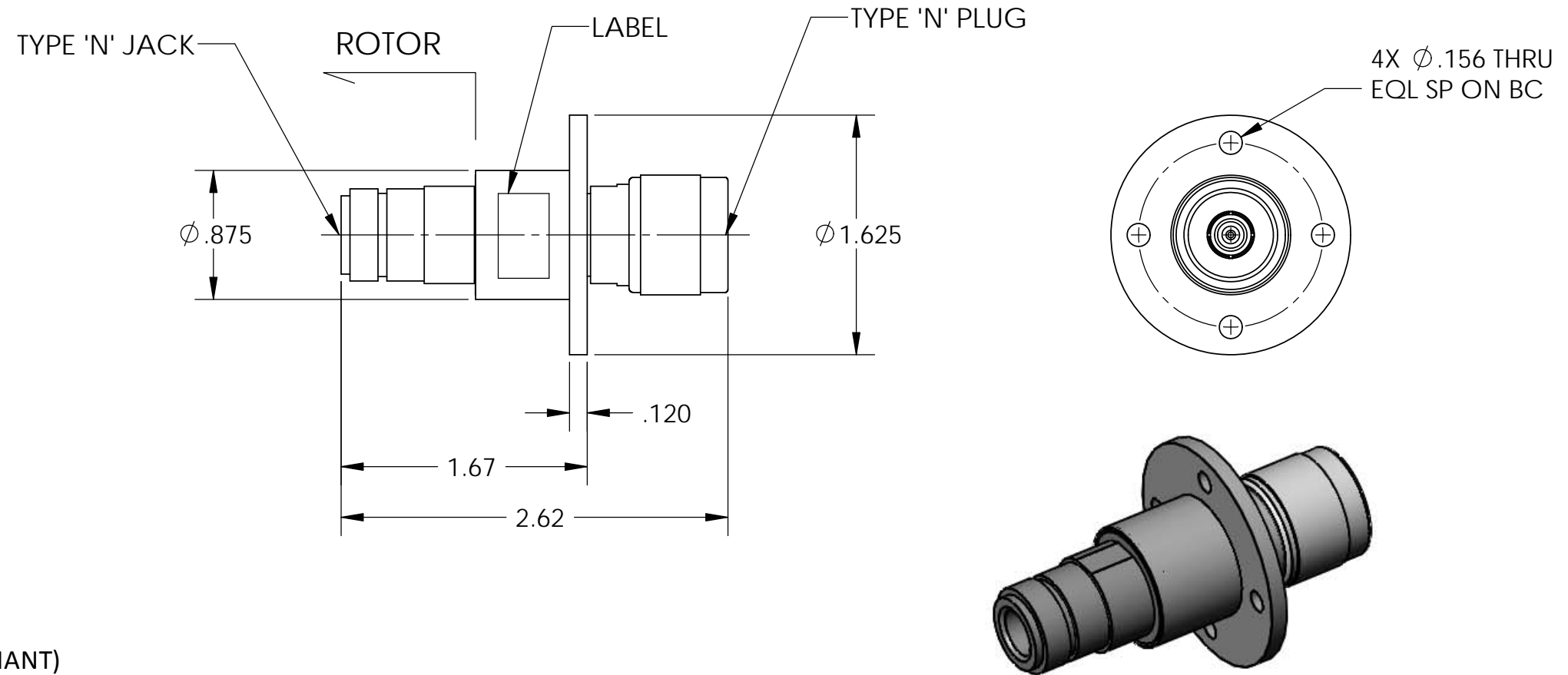


| ---TYPICAL DATA--- | | | | |
|----------------------|--------|---------|----------|-----------|
| FREQUENCY (GHz): | DC-4.0 | 4.0-8.0 | 8.0-12.4 | 12.4-18.0 |
| VSWR: | 1.05:1 | 1.10:1 | 1.20:1 | 1.30:1 |
| INSERTION LOSS (dB): | 0.1 | 0.15 | 0.25 | 0.3 |
| PHASE WOW: | .05° | .1° | .2° | .4° |

--DESIGN SPECIFICATIONS--

FREQUENCY: DC-18 GHz
 VSWR (MAX): 1.40:1
 VSWR WOW (MAX): 0.03
 INSERTION LOSS (MAX): .40 dB
 WOW (MAX): .05 dB
 POWER, PEAK: 10 KW
 POWER, AVERAGE: 1 KW @ 1 GHz
 PHASE WOW (MAX): 1°

TORQUE (MAX): 8 OZ-IN
 ROTATIONAL SPEED: TO 1000 RPM
 LIFE: 25,000 HRS @ 50 RPM
 MATERIAL: STAINLESS STEEL
 FINISH: PASSIVATE (ROHS COMPLIANT)
 WEIGHT: 4.5 OZ



| | | | |
|--|----------------|---|------------------|
| THIRD ANGLE PROJECTION | | DIAMOND ANTENNA & MICROWAVE CORP LITTLETON, MA 01460 | |
| | | TITLE: COAXIAL ROTARY JOINT ASSY | |
| DIMENSIONS ARE IN INCHES. REMOVE ALL BURRS AND SHARP EDGES .005 MAX, UNLESS OTHERWISE SPECIFIED, SURF FINISH 63 TOLERANCES ARE: FRACTIONS ±1/64 DECIMALS 2 PLACES ±.03 ANGLES ±1/2° 3 PLACES ±.010 | | SIZE: B | CAGE CODE: 01882 |
| INTERPRET DIMENSIONS & TOLERANCES PER ASME Y14.5M | | DRAWING NUMBER: CAT 18-2120-0 | |
| SCALE: 1:1 | WEIGHT (EST.): | SHEET 1 OF 1 | |