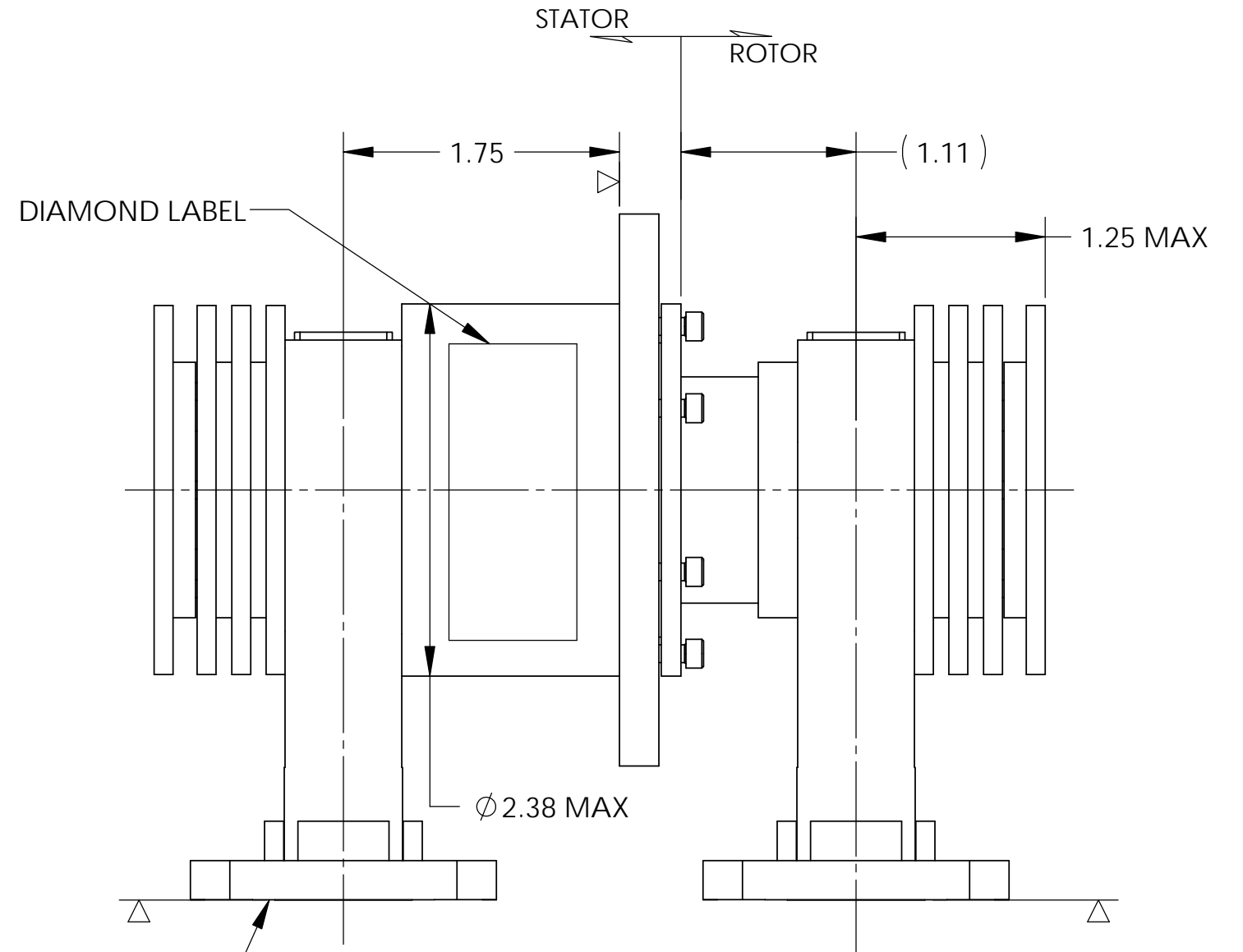
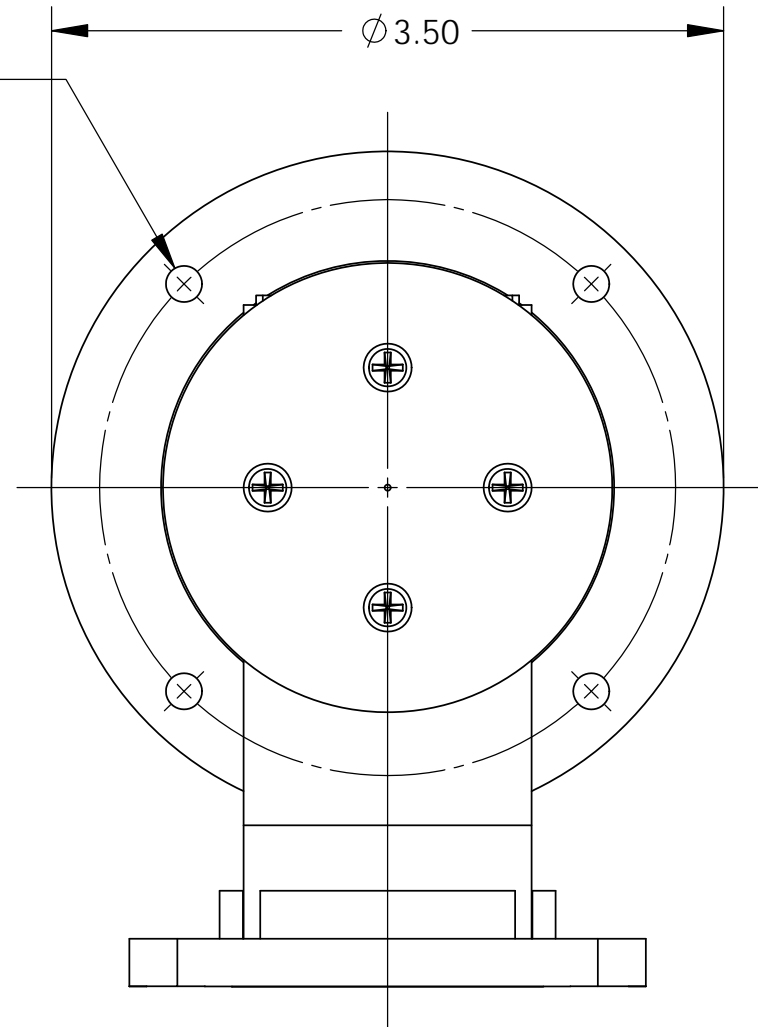


4X ϕ .188 THRU ALL
EQ SP AS SHOWN ON B.C.



FLANGE - #UG-1356/U
2 PLACES

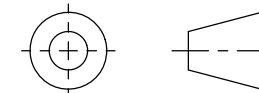
ELECTRICAL

FREQUENCY (GHz) :	5.85 - 7.10
VSWR :	1.50:1
VSWR WOW (MAX) :	1.05
INSERTION LOSS (MAX) :	.20 dB
INSERTION LOSS WOW (MAX) :	.05 dB
POWER, AVG :	5 KW CW

MECHANICAL & ENVIRONMENTAL

ROTATIONAL SPEED :	TO 10 RPM
PRESSURE :	10 PSIG MAX
LEAKAGE :	10 CC PER MIN
TORQUE :	12 IN-LBS MAX
MATERIAL :	BRASS/COPPER
MARKING :	AT MINIMUM; DIAMOND LABEL WITH P/N & S/N
FINISH :	TBD (EXCEPT SURFACES INDICATED BY Δ)

THIRD ANGLE PROJECTION



DIMENSIONS ARE IN INCHES.
REMOVE ALL BURRS AND
SHARP EDGES .005 MAX,
UNLESS OTHERWISE
SPECIFIED, SURF FINISH 63
TOLERANCES ARE:
FRACTIONS DECIMALS ANGLES
 $\pm 1/64$ 2 PLACES $\pm .03$ $\pm 1/2^\circ$
3 PLACES $\pm .010$

INTERPRET DIMENSIONS &
TOLERANCES PER ASME Y14.5M

DIAMOND ANTENNA & MICROWAVE CORP
LITTLETON, MA 01460

TITLE:
WR-137 U-STYLE, ROTARY JOINT

SIZE: B	CAGE CODE: 01882	DRAWING NUMBER: CAT 45-646-0
-------------------	----------------------------	--

SCALE 1:1	WEIGHT (EST.):	SHEET 1 OF 1
--------------	----------------	-----------------