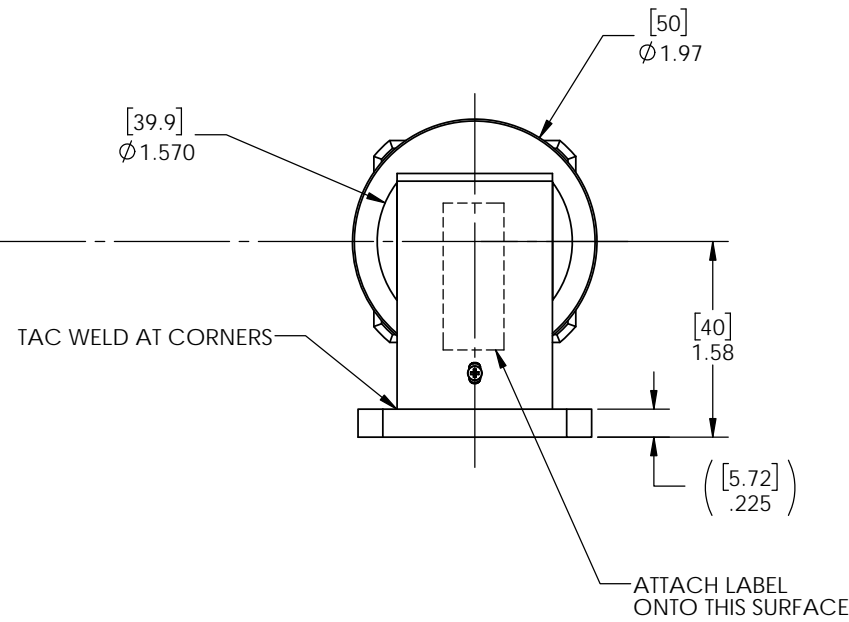


WR90 CHOKE FLANGE (UG-136A/U)
 MODIFIED WITH 4X ϕ .170[4.3] THRU HOLES



WR112 COVER FLANGE (UG-138/U)
 MODIFIED WITH 4X 8-32 UNC-2B HELICOILS

SPECIFICATIONS

FREQUENCY (GHz)	9.0-10.0
VSWR (MAX)	1.20:1
VSWR WOW(MAX)	1.08
INSERTION LOSS (dB)	.25
LOSS WOW (dB)	.05
POWER PEAK	2W
AVG	2W
SPEED	12 RPM
TORQUE (MAX)	3.6 IN-LBS (0.4 N-M)
PRESSURE	NONE
MATERIAL	ALUMINUM (PRIMARILY)
WEIGHT	0.7 LBS (EST)
TEMP.-OPERATIONAL	-40 °C TO +55 °C
FINISH	TBD
MARKING	APPLY DIAMOND STD. LABEL AS SHOWN LABEL TO INCLUDE THE FOLLOWING AS A MINIMUM: PART NUMBER, SERIAL NUMBER

THIRD ANGLE PROJECTION	
DIMENSIONS ARE IN INCHES. REMOVE ALL BURRS AND SHARP EDGES .005 MAX, UNLESS OTHERWISE SPECIFIED, SURF FINISH 63 TOLERANCES ARE:	
FRACTIONS	DECIMALS
±1/64	2 PLACES ±.01
	3 PLACES ±.010
INTERPRET DIMENSIONS & TOLERANCES PER ASME Y14.5M	

DIAMOND ANTENNA & MICROWAVE CORP LITTLETON, MA 01460		
TITLE: L-STYLE ROTARY JOINT, WR90 TO WR112		
SIZE: C	CAGE CODE: 01882	DRAWING NUMBER: CAT 52-746-0
SCALE 1:1	WEIGHT (EST.):	SHEET 1 OF 1