

# DESIGN SPECIFICATIONS

## ELECTRICAL

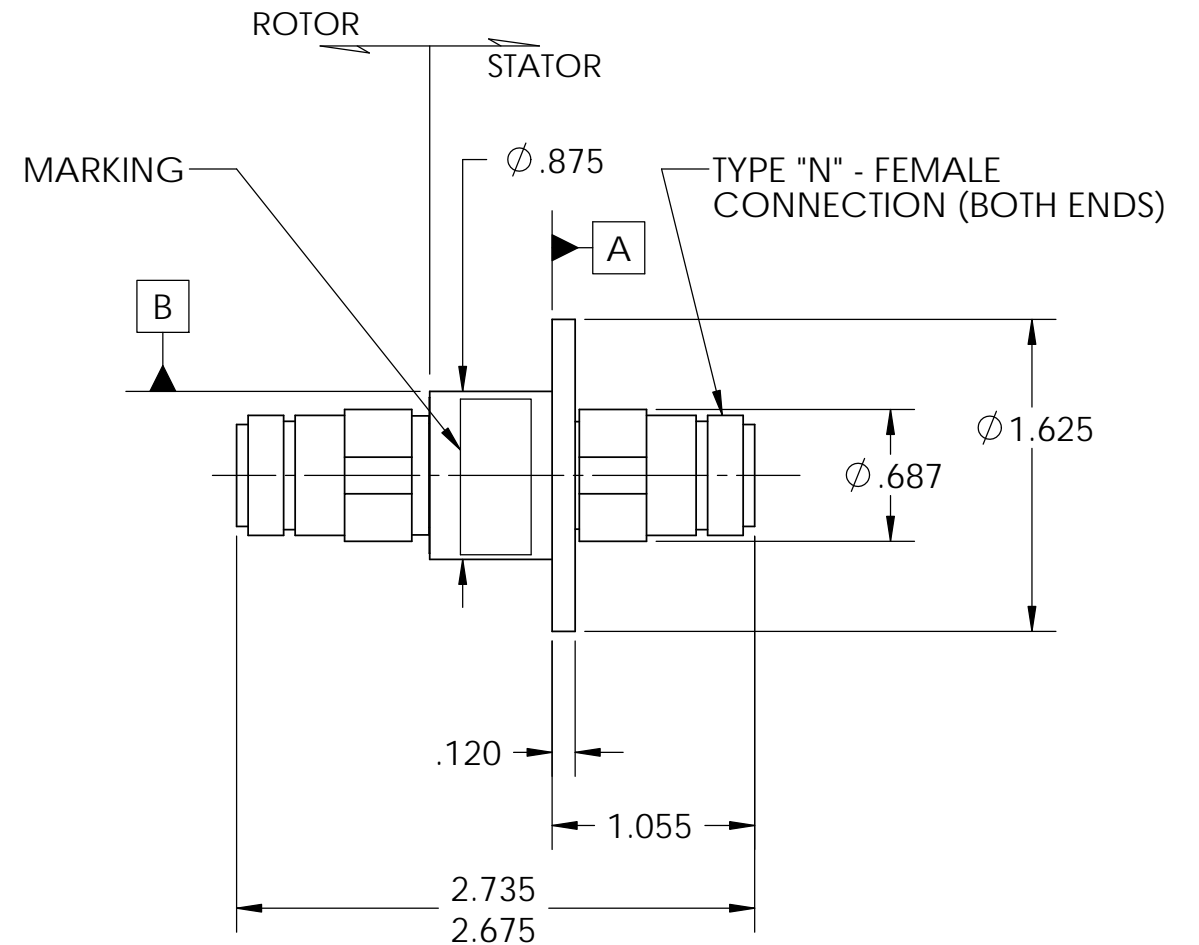
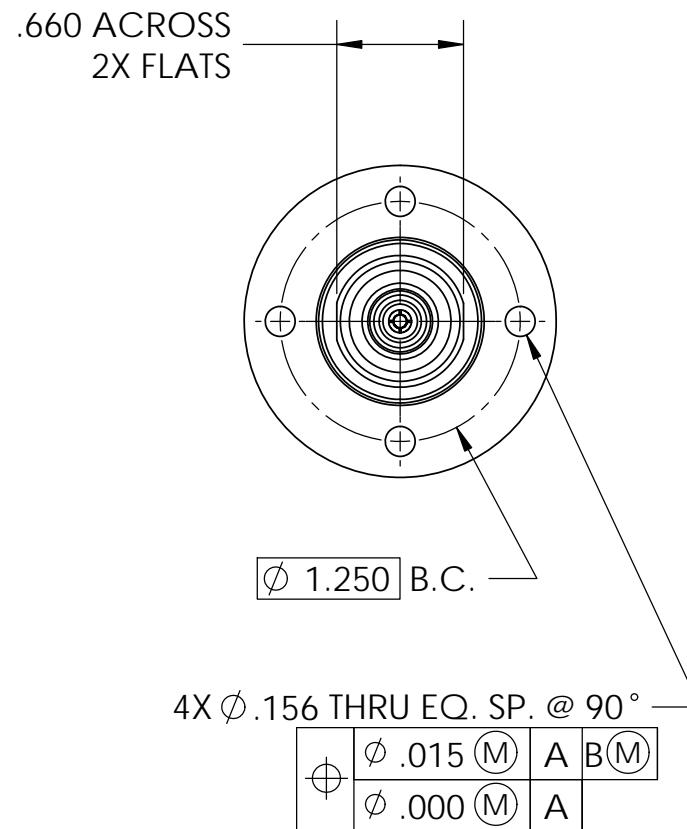
FREQUENCY RANGE: DC TO 3 GHz  
 VSWR (MAX): 1.2:1  
 VSWR WOW/360° (MAX): 0.03  
 INSERTION LOSS (MAX): 0.2 dB  
 INS LOSS WOW /360° (MAX): 0.03 dB  
 AVERAGE POWER: 200 Watts  
 CHARACTERISTIC IMPEDANCE: 50 Ohms  
 DC RESISTANCE OF OUTER COND.: 0.005 Ohms (MAX)  
 RF LEAKAGE: -60 dB (MAX)

## MECHANICAL

OPERATING LIFE: > 10 MIL. REVS  
 STARTING TORQUE (MAX): 7 OZ-IN  
 ROTATIONAL SPEED: 2 RPM  
 MATERIAL: STAINLESS STEEL  
 FINISH: PASSIVATE  
 WEIGHT: .5 LBS (MAX)  
 COAXIAL CONNECTOR: TYPE "N" FEMALE (BOTH ENDS)  
 MARKING: TO INCLUDE AS MINIMUM - DIAMOND  
 CAGE CODE, P/N, S/N

## ENVIRONMENTAL

TEMPERATURE (OPERATIONAL): -32° C TO +95° C  
 TEMPERATURE (STORAGE): -46° C TO +71° C  
 ALTITUDE (OPERATIONAL): -1,312 FT. TO 8,000 FT.  
 ALTITUDE (STORAGE): UP TO 40,000 FT.  
 HUMIDITY: UP TO 100% (CONDENSING)



THIRD ANGLE PROJECTION		DIAMOND ANTENNA & MICROWAVE CORP LITTLETON, MA 01460										
		TITLE: <b>COAXIAL ROTARY JOINT (TYPE "N"-FEMALE, BOTH ENDS)</b>										
DIMENSIONS ARE IN INCHES. REMOVE ALL BURRS AND SHARP EDGES .005 MAX, UNLESS OTHERWISE SPECIFIED, SURF FINISH 63 TOLERANCES ARE:	SIZE: <b>B</b>	CAGE CODE: <b>01882</b>	DRAWING NUMBER: <b>CAT 58-2120-0</b>									
<table border="1"> <tr> <td>FRACTIONS</td> <td>DECIMALS</td> <td>ANGLES</td> </tr> <tr> <td><math>\pm 1/64</math></td> <td>2 PLACES <math>\pm .03</math></td> <td><math>\pm 1/2^\circ</math></td> </tr> <tr> <td></td> <td>3 PLACES <math>\pm .010</math></td> <td></td> </tr> </table>	FRACTIONS	DECIMALS	ANGLES	$\pm 1/64$	2 PLACES $\pm .03$	$\pm 1/2^\circ$		3 PLACES $\pm .010$		SCALE 1:1	WEIGHT (EST.):	SHEET 1 OF 1
FRACTIONS	DECIMALS	ANGLES										
$\pm 1/64$	2 PLACES $\pm .03$	$\pm 1/2^\circ$										
	3 PLACES $\pm .010$											
INTERPRET DIMENSIONS & TOLERANCES PER ASME Y14.5M												