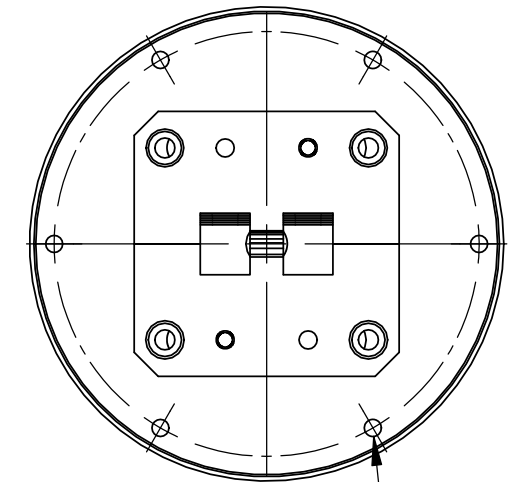
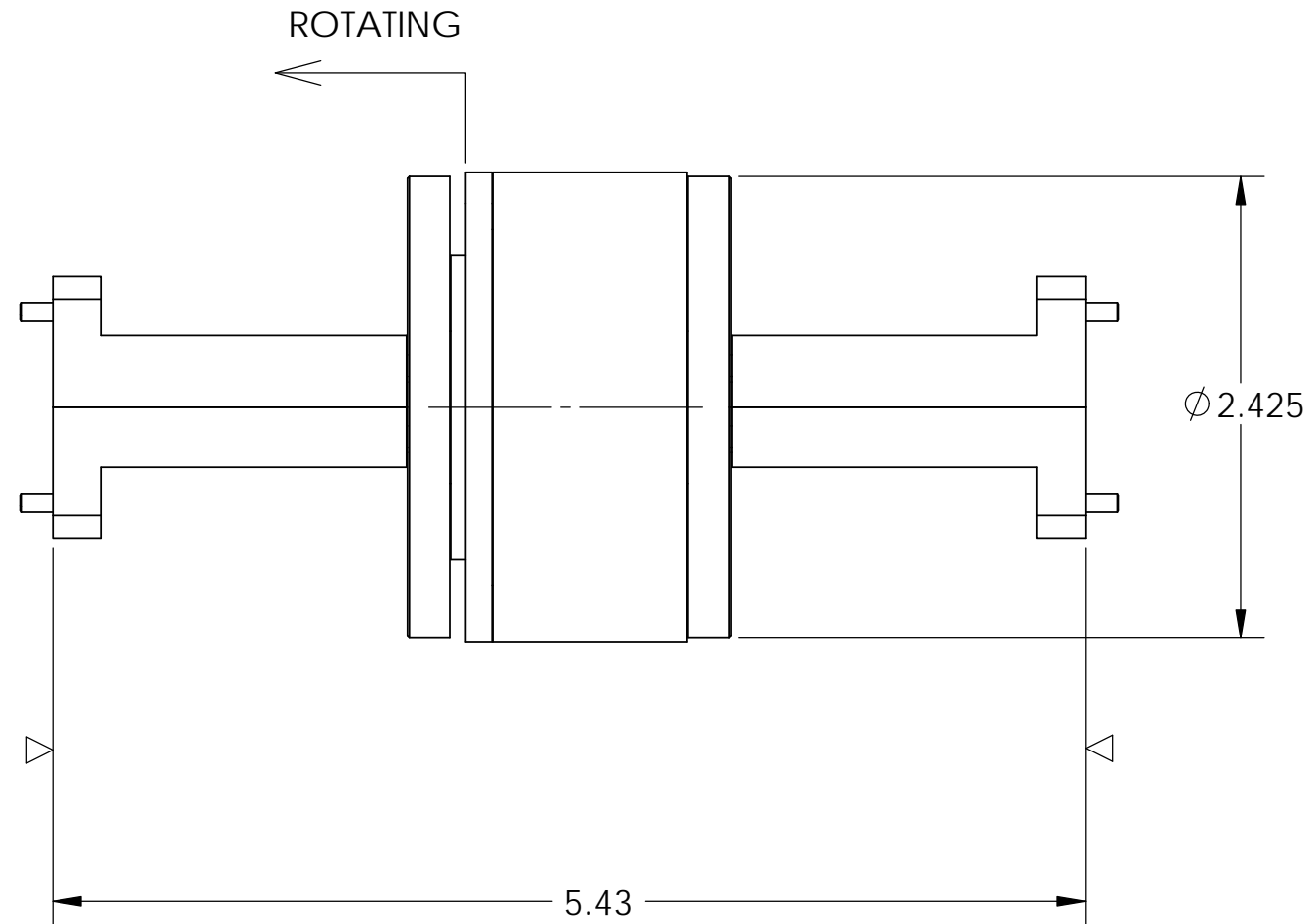


SPECIFICATIONS

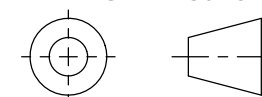
FREQUENCY (GHz): 8-18
 VSWR (MAX): 2.0:1
 VSWR WOW (MAX): 0.05
 INSERTION LOSS (MAX): 1.2 dB
 INSERTION LOSS WOW (MAX): 0.2 dB
 POWER, AVG: 600 W/CW

 ROTATION RATE (MAX): 10 RPM (CONTINUOUS); 60°/SEC (SECTOR SCAN)
 TORQUE (MAX): 57 IN-OZ (.4 N-m)
 WEIGHT (MAX): 12 LBS [5.5 kg]
 TEMPERATURE: -20C TO +60C (OPERATING)
 -40C TO +75C (STORAGE)
 HUMIDITY: 95% RH AT 40°C
 ALTITUDE: 0 - 3000 METERS
 MATERIAL: ALUMINUM
 FINISH: TBD
 MARKING: MASK AREAS INDICATED BY Δ
 PER MIL STD-130



4-40 UNC - 2B ∇ .19
EQ SP ON BC

THIRD ANGLE PROJECTION



DIMENSIONS ARE IN INCHES.
 REMOVE ALL BURRS AND
 SHARP EDGES .005 MAX,
 UNLESS OTHERWISE
 SPECIFIED, SURF FINISH 63
 TOLERANCES ARE:
 FRACTIONS ±1/64 DECIMALS 2 PLACES ±.03 ANGLES ±1/2°
 3 PLACES ±.010

INTERPRET DIMENSIONS & TOLERANCES PER ASME Y14.5M

DIAMOND ANTENNA & MICROWAVE CORP
LITTLETON, MA 01460

TITLE:
SINGLE CH WRD-750 R/J

SIZE: B	CAGE CODE: 01882	DRAWING NUMBER: CAT 53-846-0
-------------------	----------------------------	--

SCALE 1:1	WEIGHT (EST.):	SHEET 1 OF 1
---------------------	----------------	------------------------