

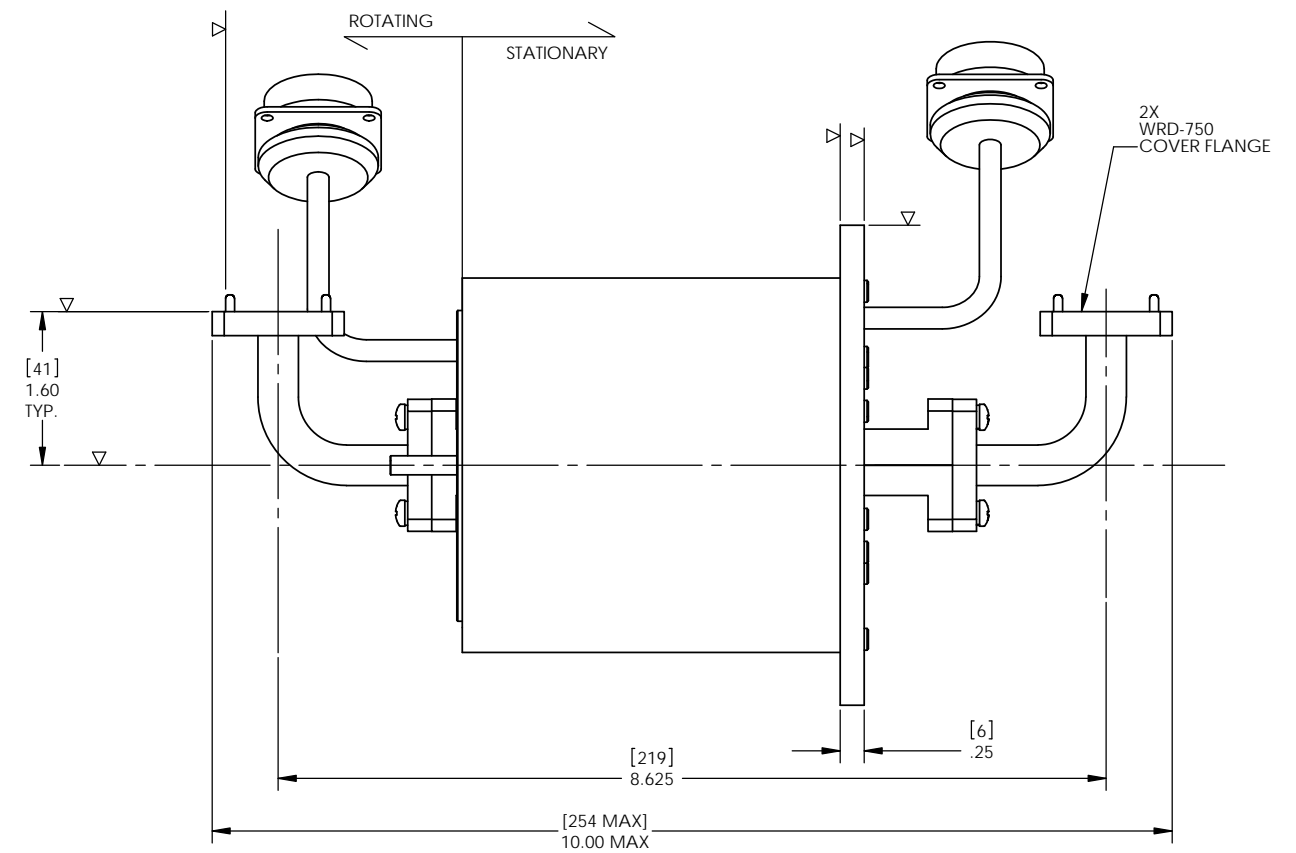
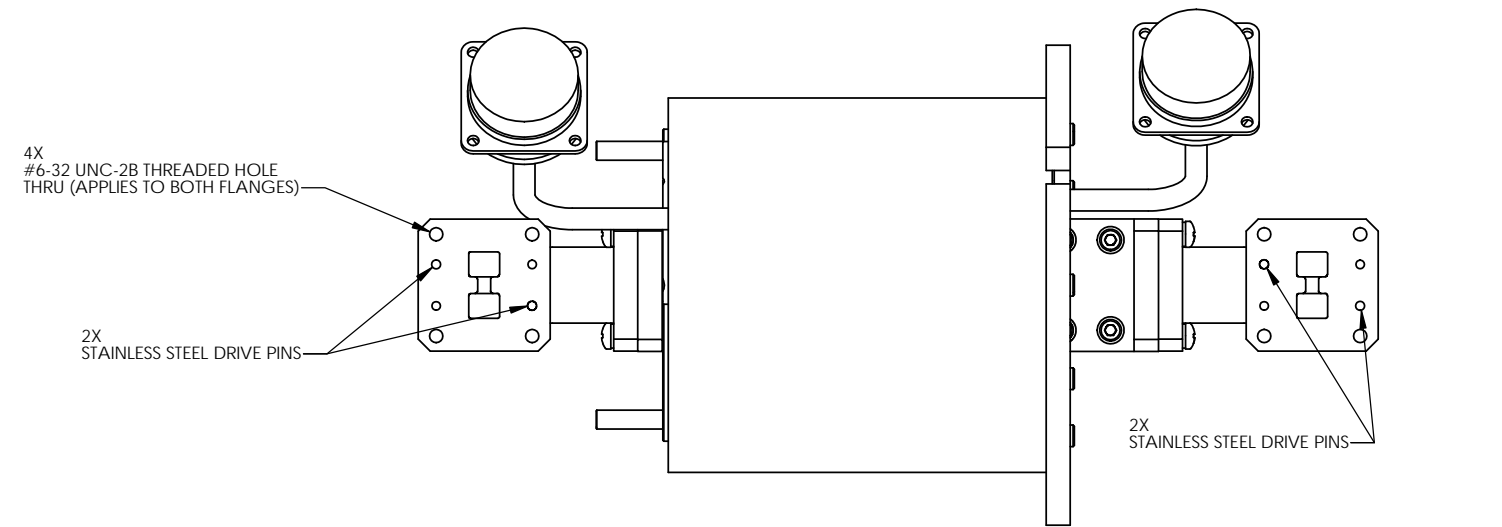
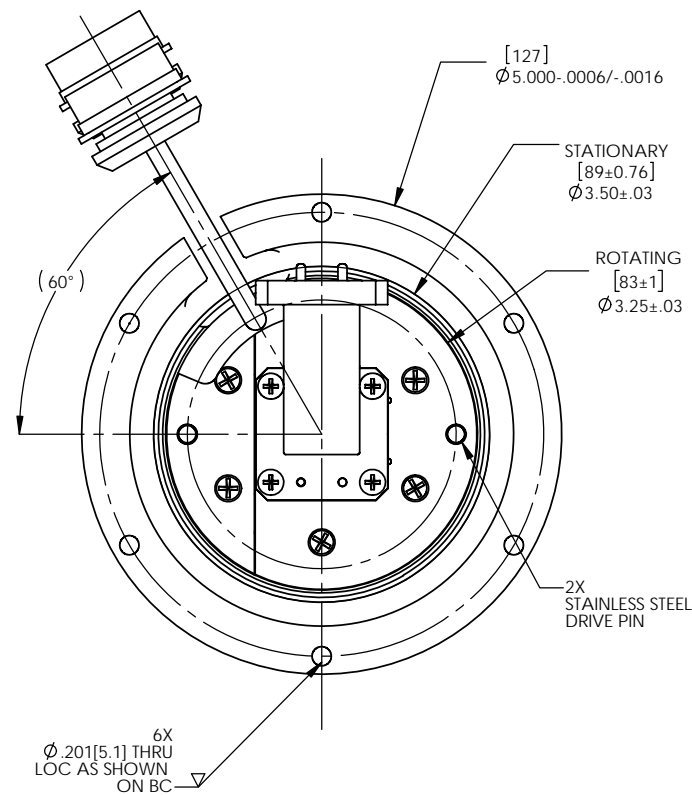
SPECIFICATIONS

FREQUENCY (GHz):	8-18
VSWR (MAX.):	2.0:1
VSWR WOW (MAX.):	0.05
INSERTION LOSS (MAX.):	1.2 dB
INSERTION LOSS WOW (MAX.):	0.2 dB
POWER: AVG.:	700 W/CW
ROTATION RATE (MAX.):	10 RPM (CONTINUOUS); 60 DEG/SEC (SECTOR SCAN)
TORQUE (MAX.):	57 IN.-OZ. [.4 N-m]
WEIGHT (MAX.):	12.1 LBS. [5.5 kg]
TEMPERATURE:	-20C TO +60C (OPERATING) -40C TO +75C (STORAGE)
HUMIDITY:	95% RH AT 40C
ALTITUDE:	0 - 3000 METERS
MATERIAL:	ALUMINUM (PRIMARILY)
FINISH:	TBD
PAINT:	TBD
MARKING:	DO NOT PAINT SURFACES WHERE INDICATED BY ▽ USE STANDARD DIAMOND LABEL: COMPANY NAME, SERIAL NUMBER, MODEL NUMBER MARK CHANNELS AS SHOWN PER MIL-STD-130

ROHS COMPLIANT

SLIPRING SPECIFICATIONS

INSULATION RESISTANCE:	100 Mohm MIN. AT 500 VDC
INSULATION VOLTAGE:	500 VAC - 1minute
VOLTAGE (MAX.):	+120 VDC (A TO D) +40 VDC (E TO g)
CURRENT (MAX.):	5A min. (A TO D) 2A min. (E TO g)
CONTACT RESISTANCE (MAX.):	0.3 ohms
PEAK NOISE (MAX.):	0.3 ohms
CABLE WIDTH:	-1.1" AT BASE, -.7" NOMINALLY



THIRD ANGLE PROJECTION		DIAMOND ANTENNA & MICROWAVE CORP LITTLETON, MA 01460	
DIMENSIONS ARE IN INCHES. REMOVE ALL BURRS AND SHARP EDGES .005 MAX. UNLESS OTHERWISE SPECIFIED. SURF FINISH 63 TOLERANCES ARE: FRACTIONS DECIMALS ANGLES ±1/64 ±.005 ±.01 ±1/2		TITLE: SINGLE CH WRD-750 R/J W/30 CH SLIP RING	
SIZE:	CAGE CODE:	DRAWING NUMBER:	
D	01882	CAT 46-846-0	
SCALE:	1:1	WEIGHT (EST.):	SHEET 1 OF 1