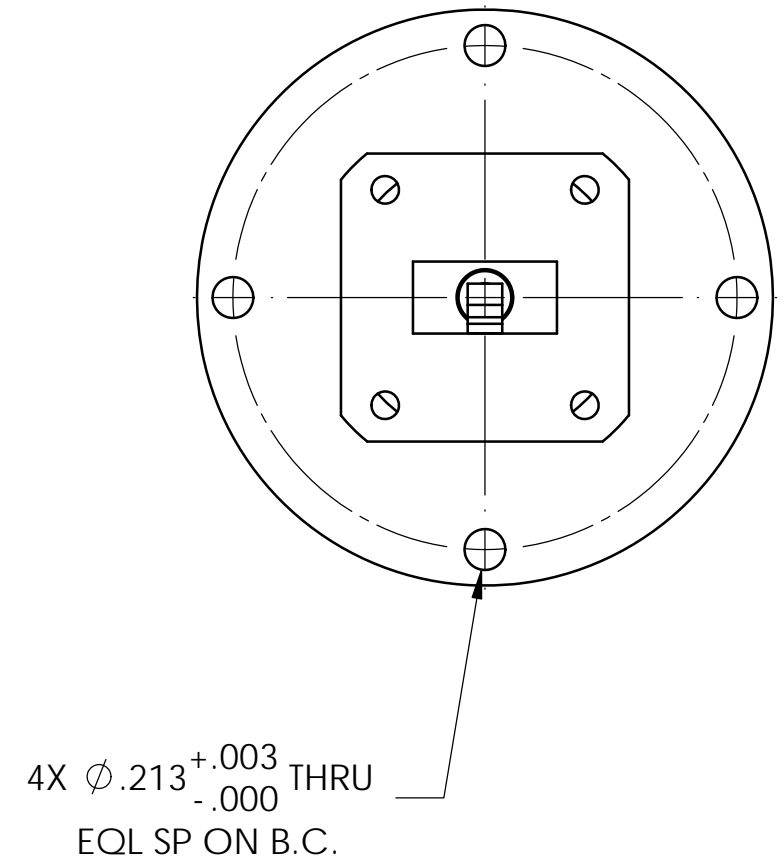
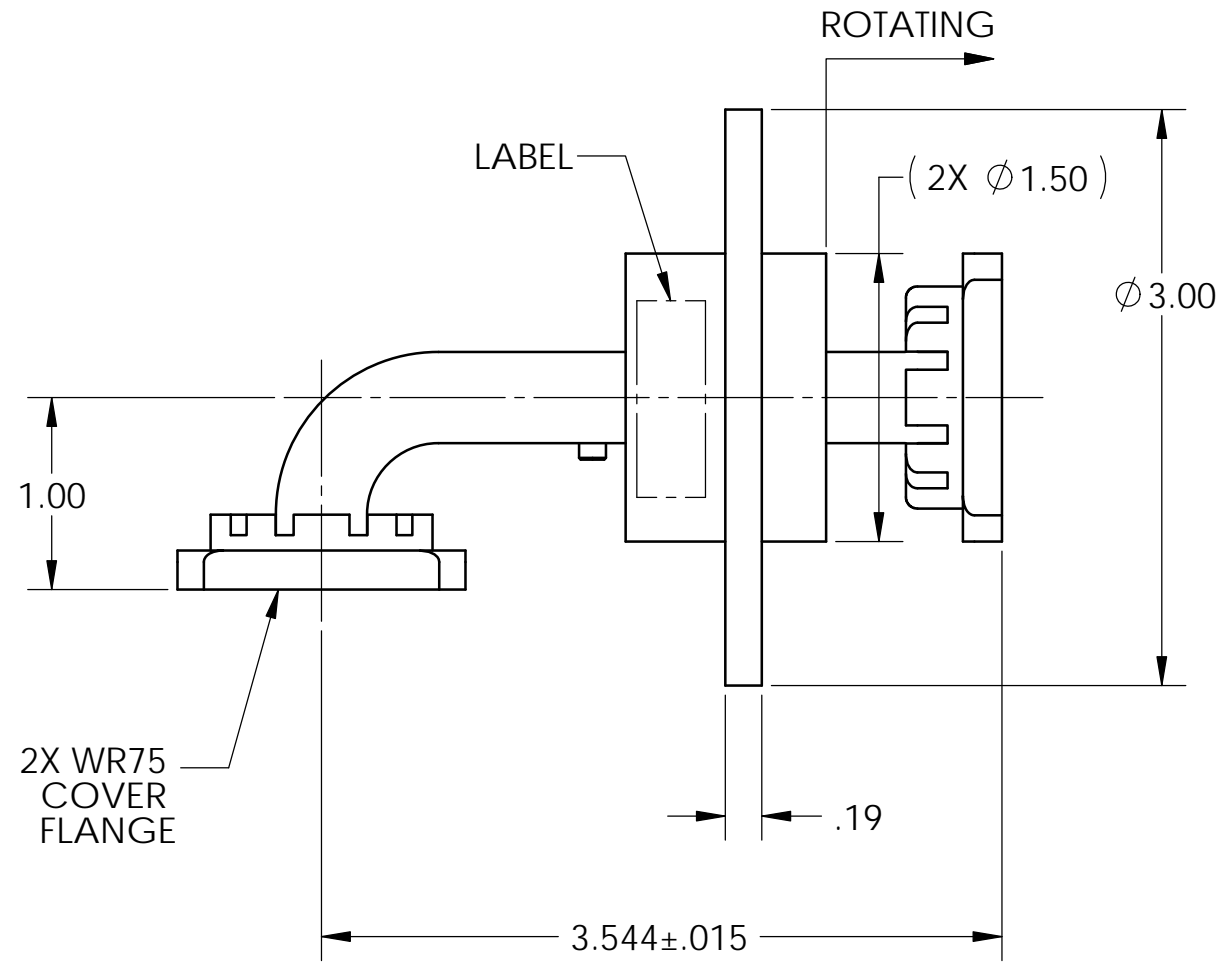


SPECIFICATIONS

FREQUENCY: 13.75-14.5 GHz
 VSWR: 1.20:1 MAX
 VSWR WOW: 0.05
 INS LOSS: 0.17 dB typ
 LOSS WOW: .05 dB
 POWER: 500W CW
 TORQUE: 100 IN OZ
 ROTATION: 30 RPM
 PRESSURE: .5 PSIG
 MATERIAL: ALUMINUM
 FINISH: IRIDITE
 WEIGHT: .5 LBS (EST.)
 MARKING: MARK AREA INDICATED WITH LABEL
 VENDOR NAME
 CODE IDENT
 VENDOR PART NO.



THIRD ANGLE PROJECTION

DIMENSIONS ARE IN INCHES.
 REMOVE ALL BURRS AND SHARP EDGES .005 MAX, UNLESS OTHERWISE SPECIFIED, SURF FINISH 63
 TOLERANCES ARE:
 FRACTIONS ±1/64 DECIMALS 2 PLACES ±.03 ANGLES ±1/2°
 3 PLACES ±.010

INTERPRET DIMENSIONS & TOLERANCES PER ASME Y14.5M

DIAMOND ANTENNA & MICROWAVE CORP
 LITTLETON, MA 01460

TITLE: **ASSEMBLY, WR75 L-STYLE R/J**

SIZE: B	CAGE CODE: 01882	DRAWING NUMBER: CAT 46-845-0
SCALE: 1:1	WEIGHT (EST.):	SHEET 1 OF 1