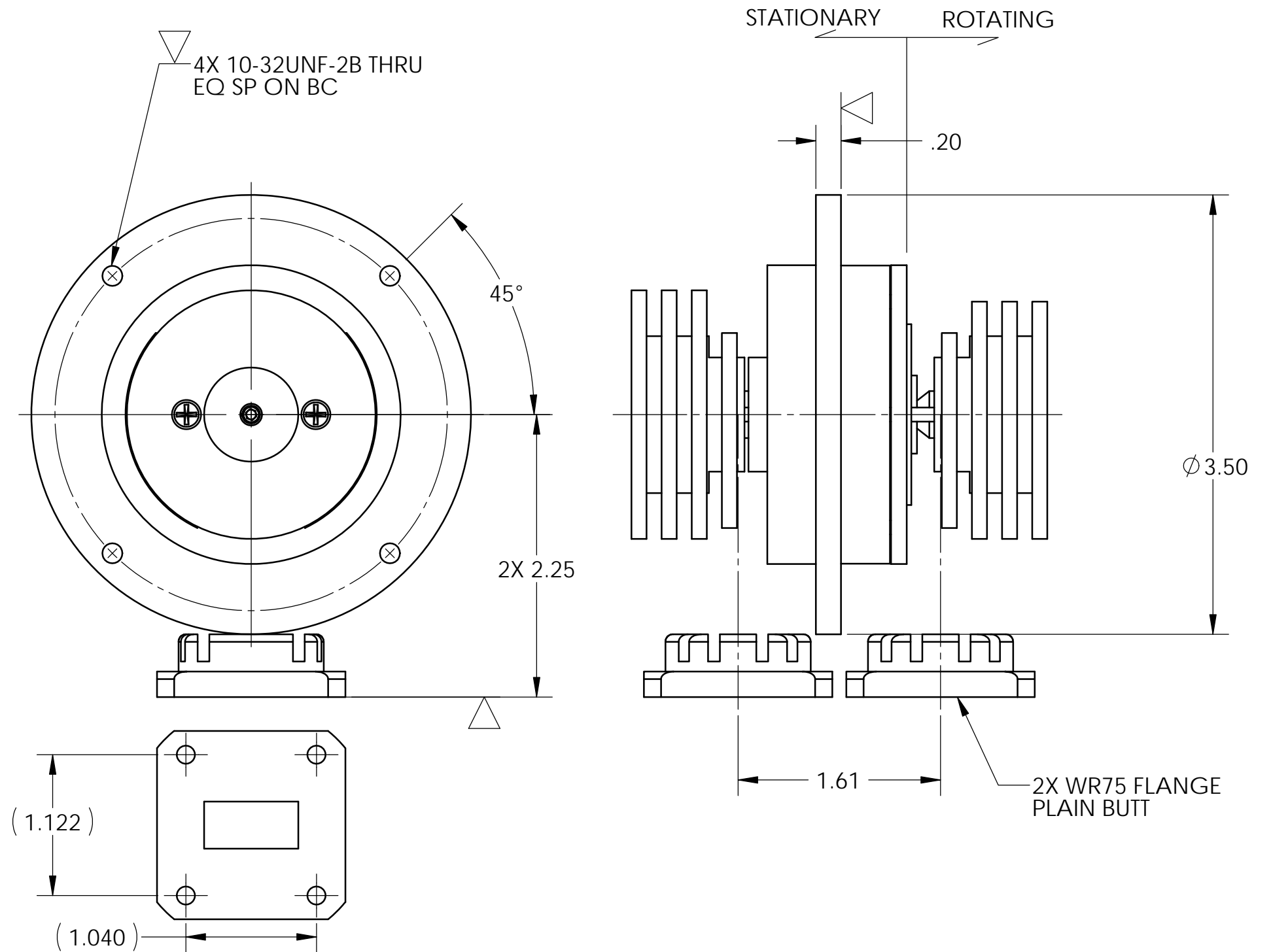


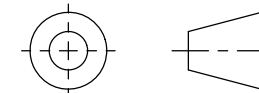
**DESIGN SPECIFICATIONS**

**ELECTRICAL**  
 FREQUENCY (GHz): 12.75 - 14.0  
 VSWR (max): 1.35:1  
 VSWR WOW (max): 0.20/360°  
 INSERTION LOSS (max): 0.15dB  
 I.L. WOW (max): 0.30dB/360°  
 POWER, CW (max): 4.5KW

**MECHANICAL**  
 PRESSURE: 2.0 psi  
 LEAK RATE (max): ≤ 1CC/min  
 TORQUE, STARTING (max): 40 oz - in  
 RPM (max): 5 RPM  
 MATERIAL: COPPER/COPPER ALLOY  
 FINISH: TBD



THIRD ANGLE PROJECTION



DIMENSIONS ARE IN INCHES.  
 REMOVE ALL BURRS AND SHARP EDGES .005 MAX, UNLESS OTHERWISE SPECIFIED, SURF FINISH 63  
 TOLERANCES ARE:  
 FRACTIONS ±1/64 DECIMALS 2 PLACES ±.03 ANGLES ±1/2°  
 3 PLACES ±.010

INTERPRET DIMENSIONS & TOLERANCES PER ASME Y14.5M

**DIAMOND ANTENNA & MICROWAVE CORP**  
 LITTLETON, MA 01460

TITLE: **WR75 U-STYLE ROTARY JOINT**

SIZE: <b>B</b>	CAGE CODE: <b>01882</b>	DRAWING NUMBER: <b>CAT 52-846-0</b>
----------------	-------------------------	-------------------------------------

SCALE: <b>1:1</b>	WEIGHT (EST.):	SHEET: <b>1 OF 1</b>
-------------------	----------------	----------------------