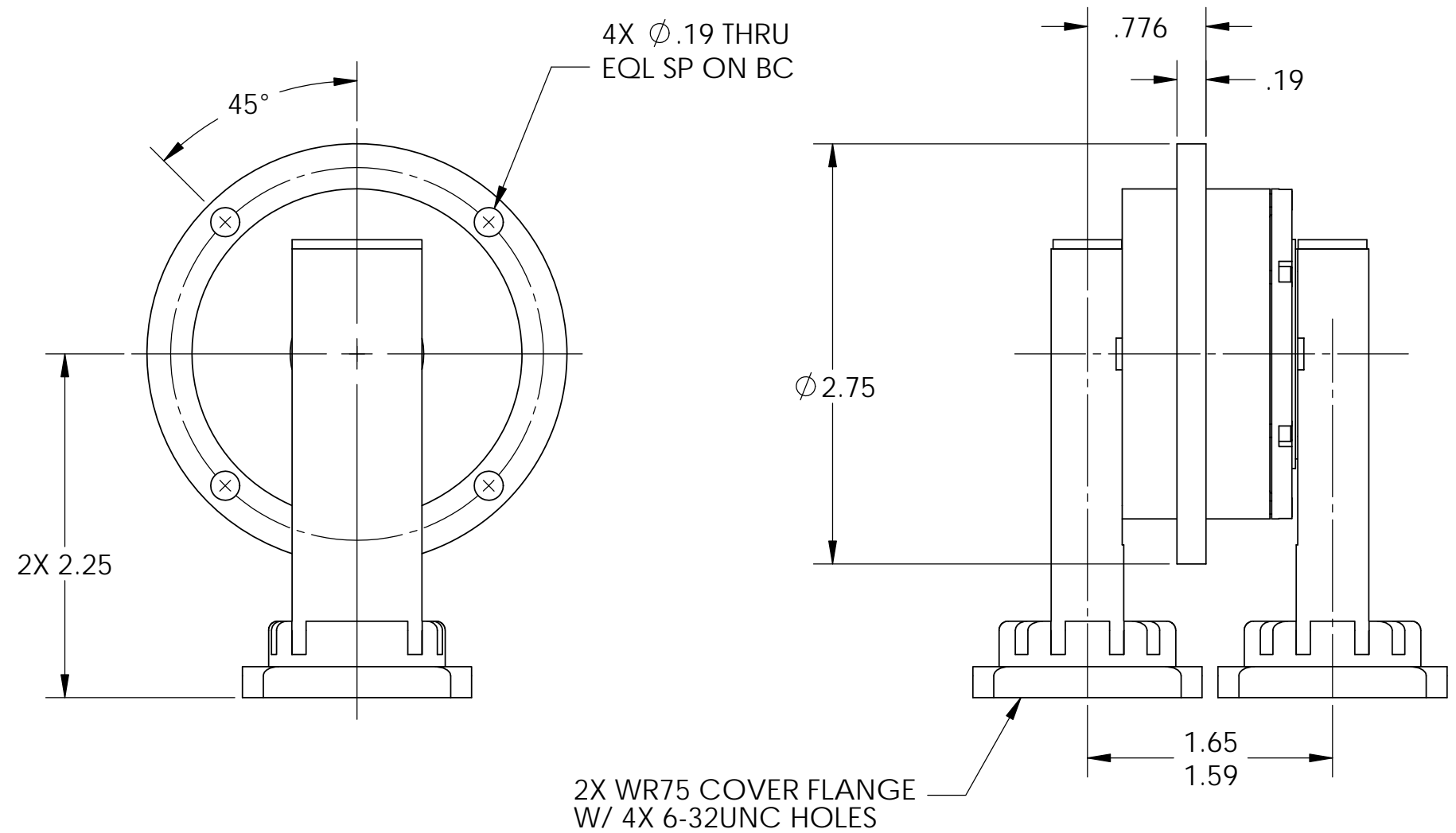


### SPECIFICATIONS

|                   |                                                              |
|-------------------|--------------------------------------------------------------|
| FREQUENCY:        | 13.75-14.50 GHz                                              |
| VSWR:             | 1.20:1 max                                                   |
| VSWR WOW:         | .05 max                                                      |
| INSERTION LOSS:   | 0.15dB max                                                   |
| LOSS WOW:         | 0.05dB max                                                   |
| POWER HANDLING:   | 1 KW CW                                                      |
| BASIC MATERIAL:   | COPPER/BRASS                                                 |
| TORQUE:           | 40 OZ-IN MAX                                                 |
| PRESSURE:         | 0.5 PSIG                                                     |
| ROTATION          | 360°                                                         |
| ROTATIONAL SPEED: | 2 RPM                                                        |
| FINISH:           | CHROMATE CONVERSION COAT<br>IRIDITE 8P-C3 CLEAR              |
| MARKING:          | MARK WITH<br>SERIAL NO.<br>DIAMOND PART NO.<br>CUSTOMER I.D. |



|                                                                                                                                                                  |  |                                                                    |                                     |
|------------------------------------------------------------------------------------------------------------------------------------------------------------------|--|--------------------------------------------------------------------|-------------------------------------|
| THIRD ANGLE PROJECTION                                                                                                                                           |  | <b>DIAMOND ANTENNA &amp; MICROWAVE CORP</b><br>LITTLETON, MA 01460 |                                     |
|                                                                                                                                                                  |  | TITLE: <b>ROTARY JOINT, WR75 U-STYLE</b>                           |                                     |
| <small>DIMENSIONS ARE IN INCHES.<br/>REMOVE ALL BURRS AND SHARP EDGES .005 MAX,<br/>UNLESS OTHERWISE SPECIFIED, SURF FINISH 63<br/>TOLERANCES ARE:</small>       |  | SIZE: <b>B</b>                                                     | DRAWING NUMBER: <b>CAT 20-847-0</b> |
| <small>FRACTIONS <math>\pm 1/64</math>    DECIMALS 2 PLACES <math>\pm .03</math>    ANGLES <math>\pm 1/2^\circ</math><br/>3 PLACES <math>\pm .010</math></small> |  | CAGE CODE: <b>01882</b>                                            | SCALE: <b>1:1</b>                   |
| INTERPRET DIMENSIONS & TOLERANCES PER ASME Y14.5M                                                                                                                |  | WEIGHT (EST.):                                                     | SHEET <b>1 OF 1</b>                 |