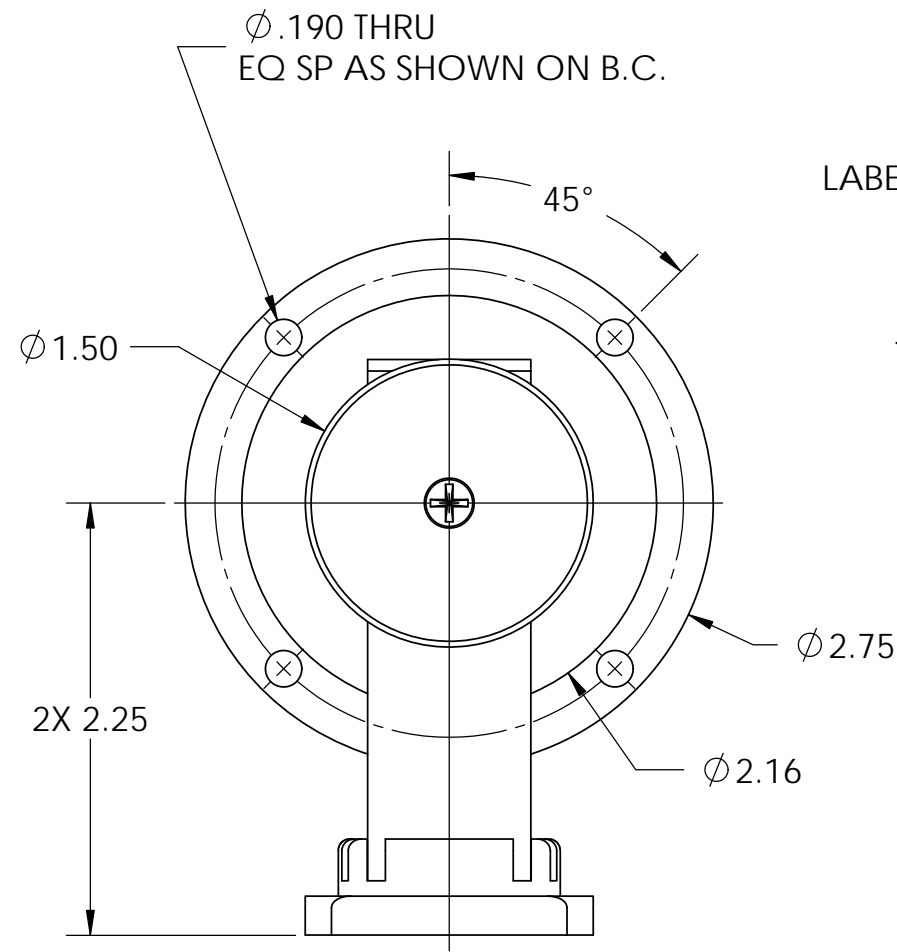
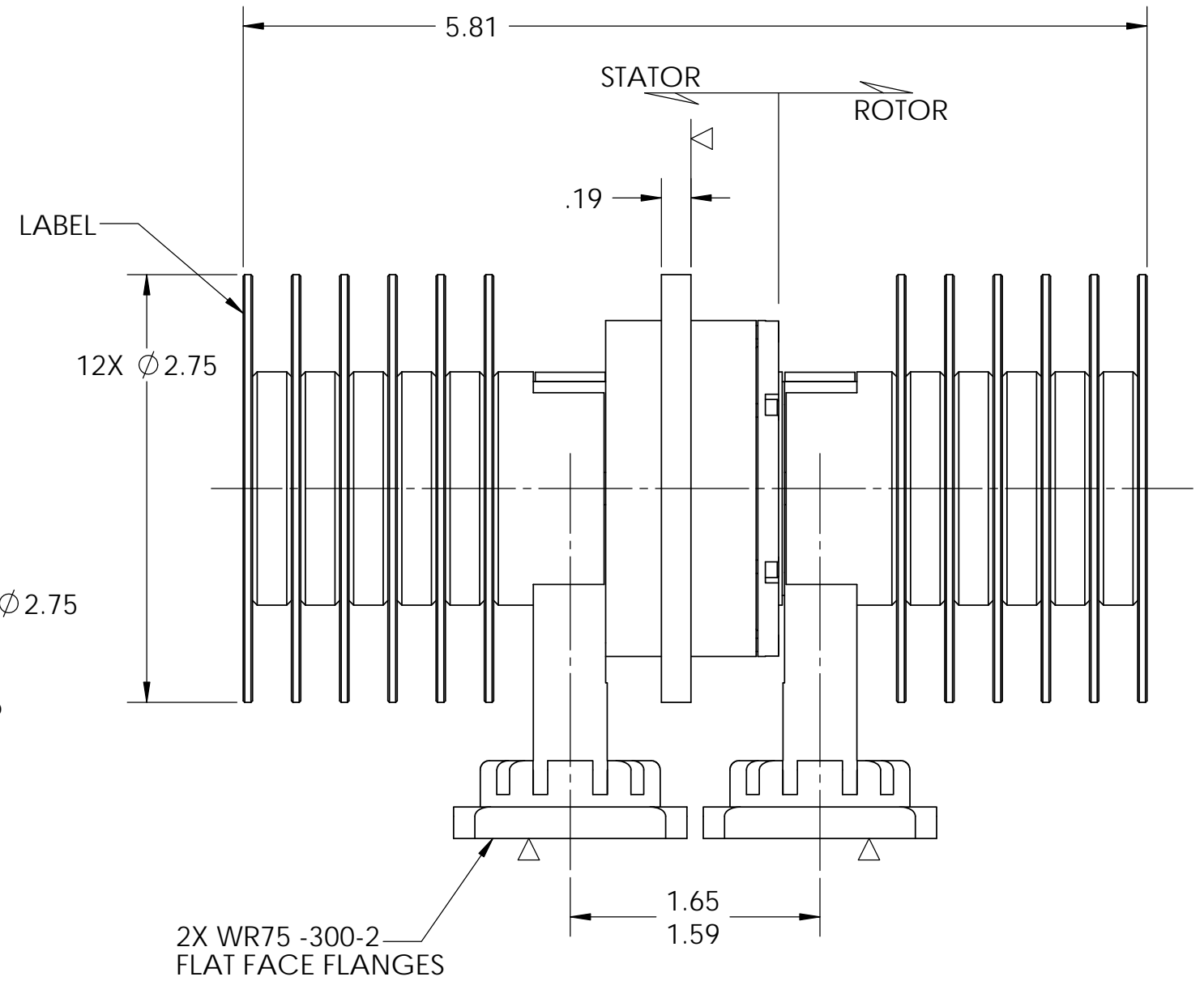


SPECIFICATIONS

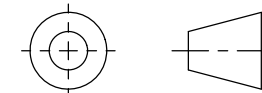
- FREQUENCY: 13.75-14.50 GHz
- VSWR: 1.20:1 MAX
- VSWR WOW: 0.05 MAX
- INSERTION LOSS: 0.10dB MAX
- LOSS WOW: 0.05dB MAX
- POWER HANDLING: 3.5 KW CW
- BASIC MATERIAL: COPPER/BRASS
- TORQUE: 40 OZ-IN MAX
- PRESSURE: 0.5 PSIG
- ROTATION: 360°
- ROTATIONAL SPEED: 2 RPM
- FINISH: TBD
- PAINT: TBD
- HUMIDITY: UP TO 100% W/CONDENSATION
- TEMPERATURE: -30 TO +50 DEG. C
- MARKING: APPLY DIAMOND LABEL APPROX. WHERE SHOWN WITH; SERIAL NO. DIAMOND PART NO.



VIEW SHOWN WITHOUT
FINS FOR CLARITY



THIRD ANGLE PROJECTION



DIMENSIONS ARE IN INCHES.
 REMOVE ALL BURRS AND
 SHARP EDGES .005 MAX,
 UNLESS OTHERWISE
 SPECIFIED, SURF FINISH 63
 TOLERANCES ARE:
 FRACTIONS $\pm 1/64$ DECIMALS 2 PLACES $\pm .03$ ANGLES $\pm 1/2^\circ$
 3 PLACES $\pm .010$

INTERPRET DIMENSIONS & TOLERANCES PER ASME Y14.5M

DIAMOND ANTENNA & MICROWAVE CORP
LITTLETON, MA 01460

TITLE:

ROTARY JOINT, WR75 U-STYLE

SIZE:

B

CAGE CODE:

01882

DRAWING NUMBER:

CAT 44-847-0

SCALE

1:1

WEIGHT (EST.):

SHEET **1 OF 1**