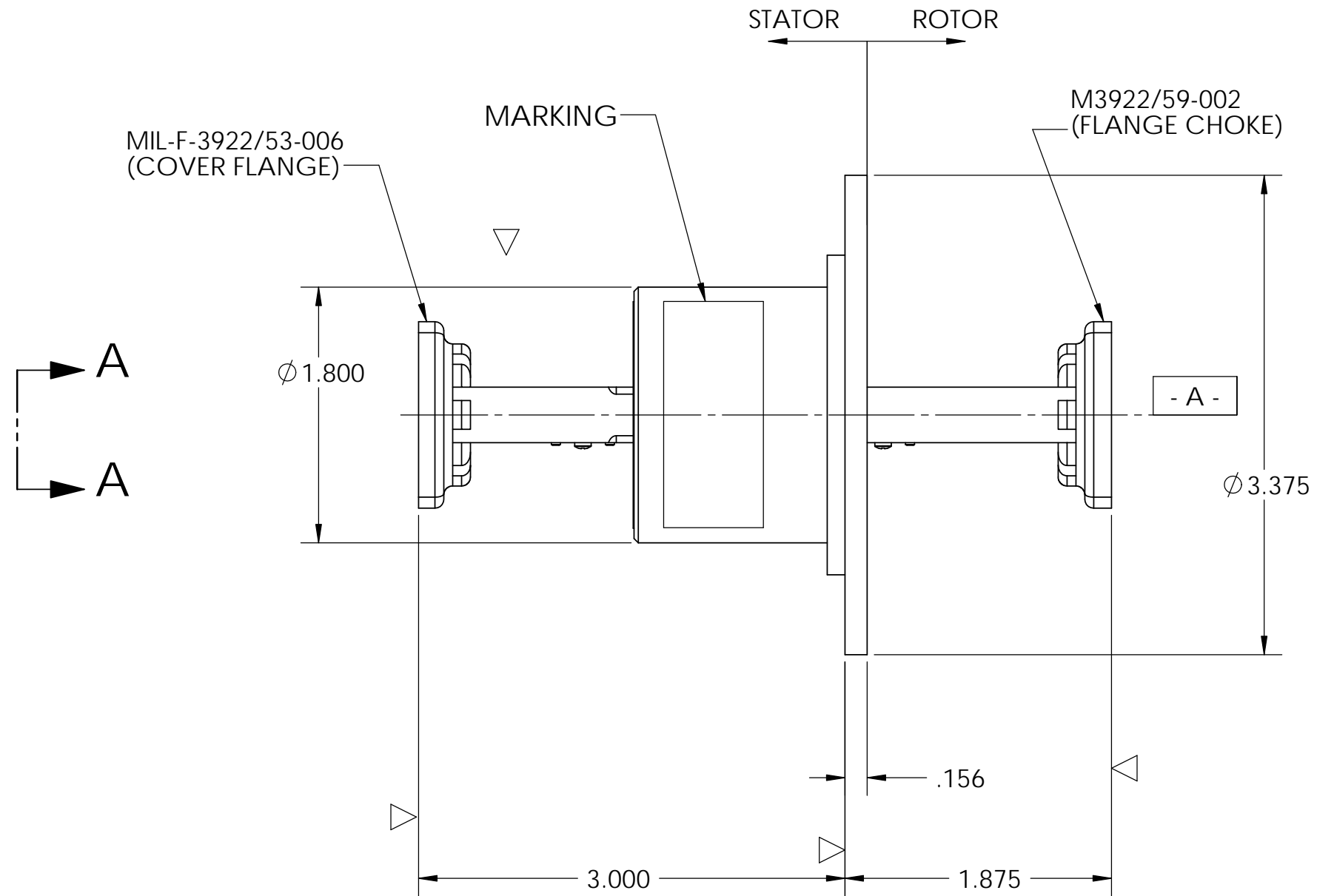


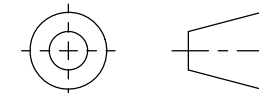
VIEW A-A  
SCALE 1 : 2

- SUMMARY OF SPECIFICATIONS -

FREQUENCY: 17.3-18.4 GHz  
 VSWR: 1.15:1 MAX  
 VSWR WOW: .03 MAX  
 INSERTION LOSS: .4 dB  
 INSERTION LOSS WOW: .02 dB  
 POWER HANDLING: 10 KW PEAK / 750 W AVG  
 TORQUE: 40 in/oz  
 PRESSURE: 3 PSIG  
 LEAK RATE: 5 CC / MIN  
 TEMPERATURE RANGE: -50°C TO +70°C OPERATING  
 -50°C TO +70°C NON-OPERATING  
 ROTATION: 60 RPM  $\pm$ 10%  
 WEIGHT: 19 OZ  
 BASIC MATERIAL: ALLUMINUM ALLOY  
 LIFE: >40,000 HRS @ 60 RPM  
 FINISH: TBD  
 MARKING: STENCIL (PERMANENT MARKING) IN BLACK  
 LUSTERLESS INK.



THIRD ANGLE PROJECTION



DIMENSIONS ARE IN INCHES.  
 REMOVE ALL BURRS AND  
 SHARP EDGES .005 MAX,  
 UNLESS OTHERWISE  
 SPECIFIED, SURF FINISH 63  
 TOLERANCES ARE:  
 FRACTIONS  $\pm$ 1/64 DECIMALS 2 PLACES  $\pm$ .03 ANGLES  $\pm$ 1/2°  
 3 PLACES  $\pm$ .010

INTERPRET DIMENSIONS &  
 TOLERANCES PER ASME Y14.5M

DIAMOND ANTENNA & MICROWAVE CORP  
 LITTLETON, MA 01460

TITLE:

WR-62 "I" STYLE RJ ASSY

SIZE:

B

CAGE CODE:

01882

DRAWING NUMBER:

CAT 44-945-0

SCALE

1:1

WEIGHT (EST.):

SHEET 1 OF 1