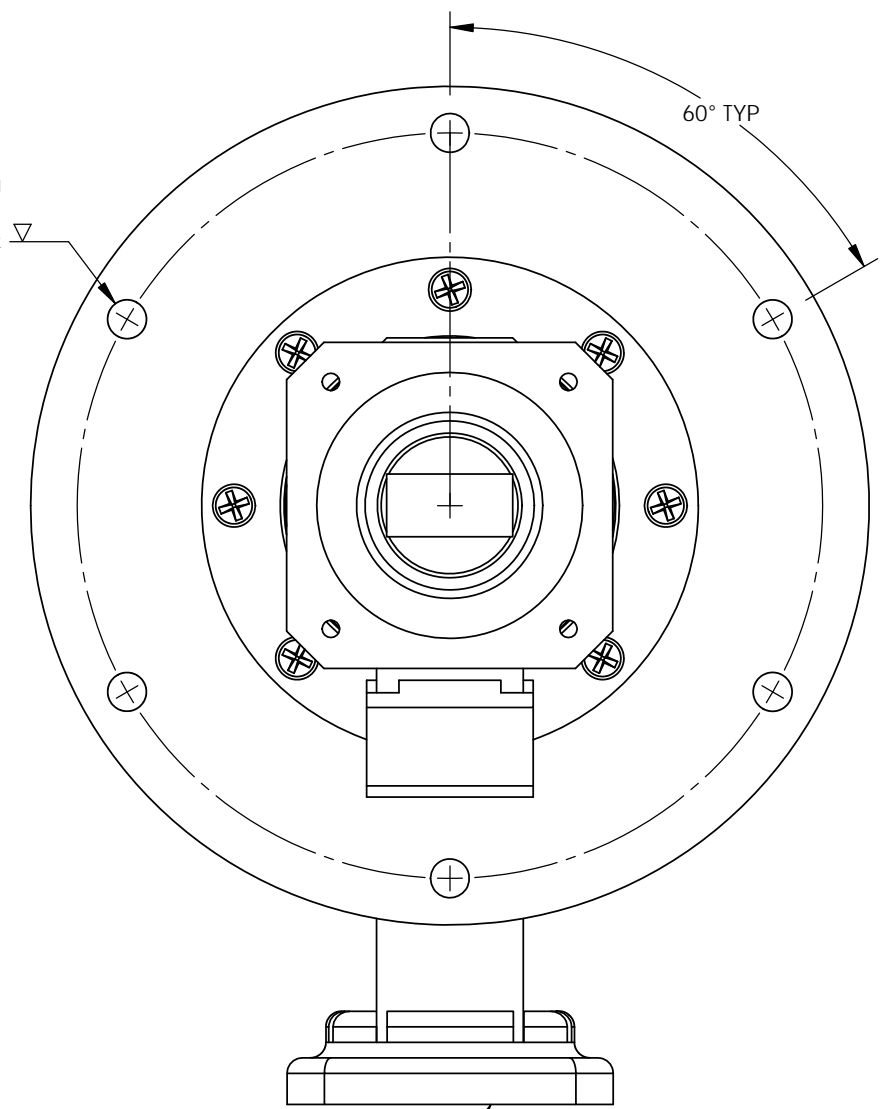


Ø .156 THRU  
6X EQ SP.  
AS SHOWN ON BC



SPECIFICATIONS:

FREQUENCY: 20.2-21.2 (GHz)  
 VSWR: 1.15:1 MAX  
 INSERTION LOSS: .15 (dB)  
 INSERTION LOSS WOW: .05 (dB)  
 POWER (avg): 1400 (W)  
 SPEED : 6.0 (RPM)  
 PRESSURE: 4.0 (psig)  
 LEAKRATE: 10.0 (cc/min)MAX  
 TORQUE: 40 MAX (in-oz)  
 MATERIAL: ALUMINUM  
 WEIGHT: 2 LBS. MAX (10 OZ. TYP)  
 FINISH: TBD  
 MASK SURFACES INDICATED BY ∇.  
 DIAMOND STD. LABEL TO INCLUDE AS A MINIMUM MODEL NO.  
 AND SERIAL NUMBER.

MARKING

THIRD ANGLE PROJECTION

DIMENSIONS ARE IN INCHES.  
 REMOVE ALL BURRS AND  
 SHARP EDGES .005 MAX,  
 UNLESS OTHERWISE  
 SPECIFIED, SURF FINISH 63  
 TOLERANCES ARE:  
 FRACTIONS DECIMALS ANGLES  
 ±1/64 2 PLACES ±.05 ±1/2°  
 3 PLACES ±.010

INTERPRET DIMENSIONS &  
 TOLERANCES PER ASME Y14.5M

<b>DIAMOND ANTENNA &amp; MICROWAVE CORP</b> LITTLETON, MA 01460		
TITLE: <b>ROTARY JOINT, WR-51 (TMO1)</b>		
SIZE: <b>C</b>	CAGE CODE: <b>01882</b>	DRAWING NUMBER: <b>CAT 10-1000-0</b>
SCALE <b>2:1</b>	WEIGHT (EST.):	SHEET <b>1 OF 1</b>