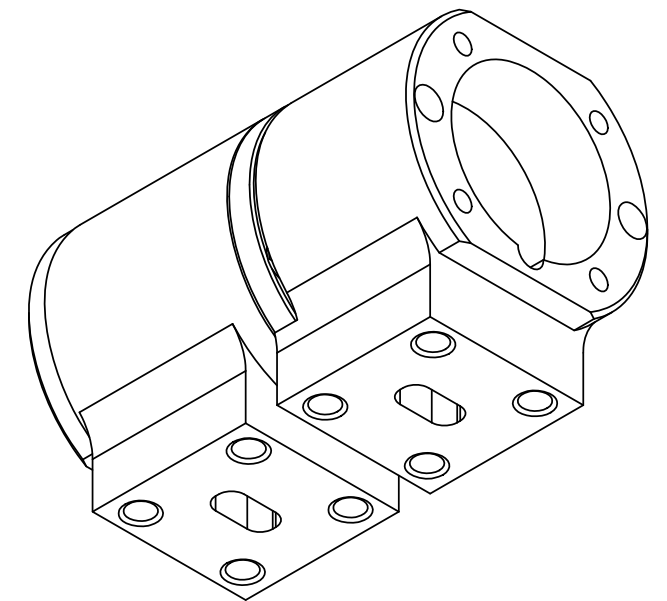
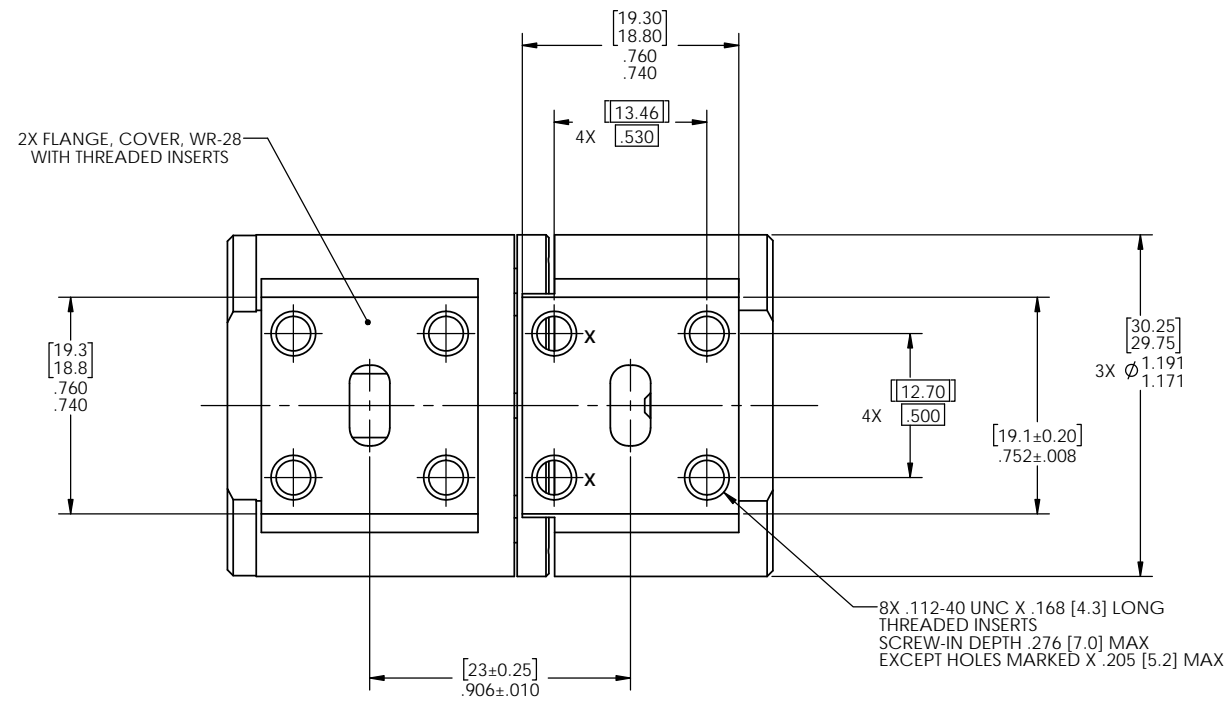


**SPECIFICATIONS:**

FREQUENCY:	27.5-31.0 GHz
VSWR, MAX:	1.30:1
VSWR WOW, MAX:	0.20
INSERTION LOSS, dB MAX:	0.45
INSERTION LOSS WOW, dB MAX:	0.20
PHASE WOW, MAX:	3.5°
POWER, PEAK, W MIN:	200
POWER, AVERAGE, W MIN:	40 @ 30 GHz
ROTATIONAL SPEED, TYPICAL:	50 RPM
ROTATIONAL SPEED, MAX:	300 RPM
TORQUE, STARTING, TYPICAL:	2 IN-OZ @ 25°C
TORQUE, STARTING, MAX:	15 IN-OZ
WEIGHT, MAX:	7 OZ
TEMPERATURE, OPERATING:	-55°C TO +71°C
TEMPERATURE, NON-OPERATING:	-55°C TO +85°C
ALTITUDE, FEET:	55,000 (16,764m)



**NOTES:**

1. MATERIAL: PRIMARILY ALUMINUM ALLOY.
2. FINISH: CHEMICAL CONVERSION COAT PER MIL-DTL-5541, TYPE II, CLASS 3 (ROHS COMPLIANT).
3. MARKING: LASER MARK, AFTER FINISH, APPROXIMATELY WHERE SHOWN IN ACCORDANCE WITH MIL-STD-130 & MARKING REQUIREMENTS DRAWING 20-1146-60. S/N XXXX STARTING WITH 0001.  
REV Y = CURRENT REVISION OF DRAWING 20-1146-0.

THIRD ANGLE PROJECTION		DIAMOND ANTENNA & MICROWAVE CORP LITTLETON, MA 01460	
DIMENSIONS ARE IN INCHES. REMOVE ALL BURRS AND SHARP EDGES .005 MAX, UNLESS OTHERWISE SPECIFIED. SURF FINISH 63✓		TITLE: ROTARY JOINT, U-STYLE WR-28 (Ka BAND)	
TOLERANCES ARE: FRACTIONS DECIMALS ANGLES 2/1000 3 PLACES 0.010 ±0.02		SIZE: D	CAGE CODE: 01882
INTERPRET DIMENSIONS & TOLERANCES PER ASME Y14.5M		DRAWING NUMBER: CAT 20-1146-0	WEIGHT (EST.):
SCALE: 3:1		SHEET 1 OF 1	