

SPECIFICATIONS

FREQUENCY: 7.95 - 8.45 GHz

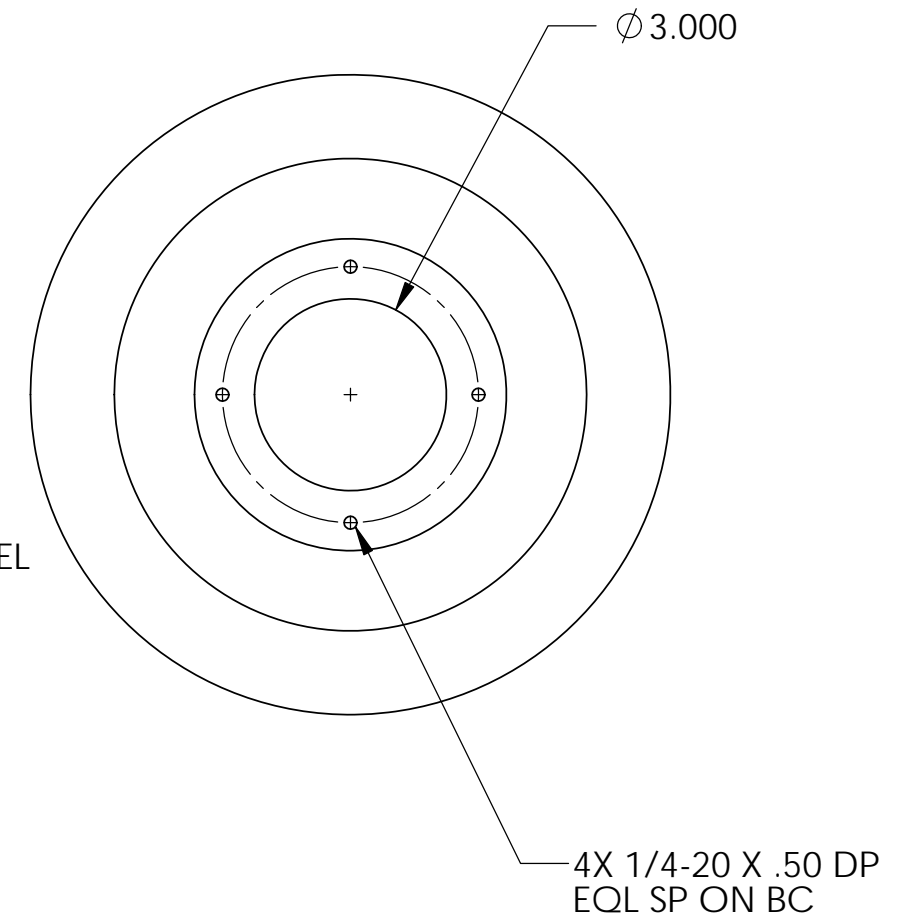
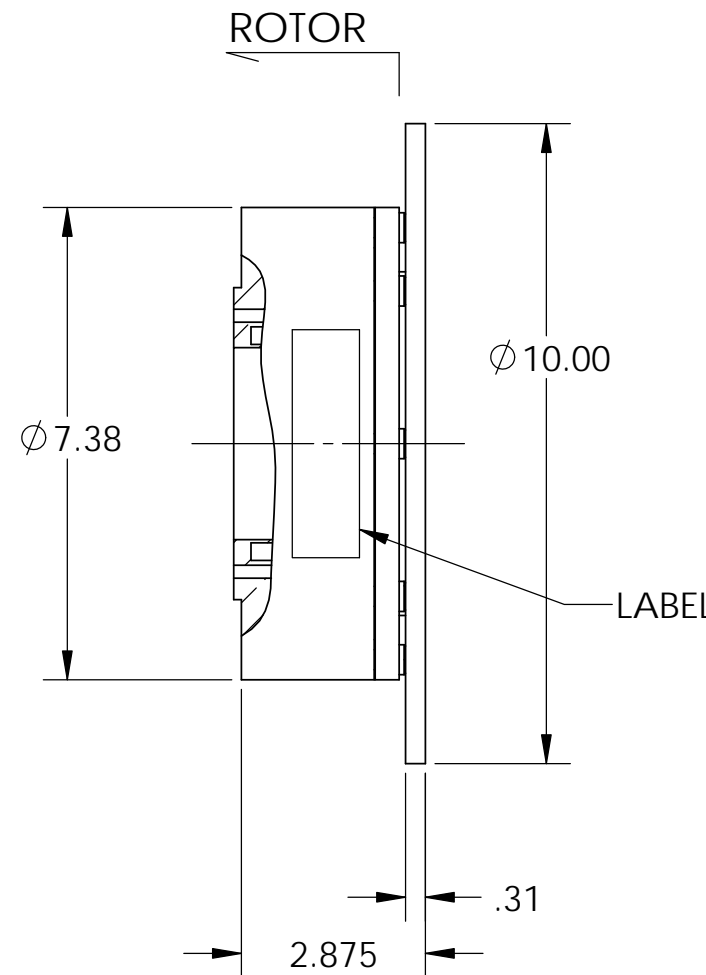
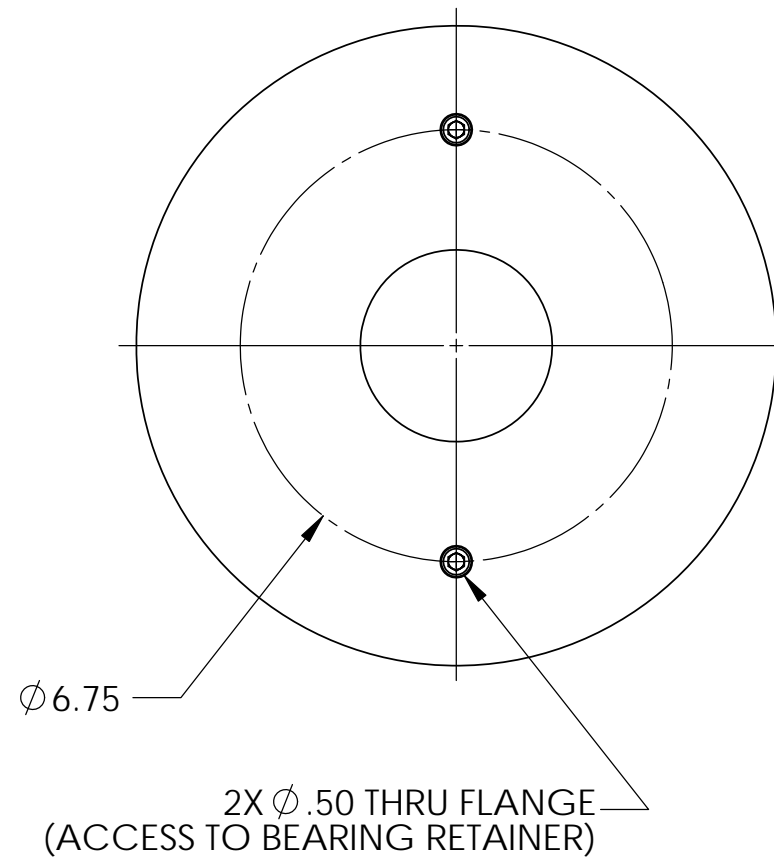
PRESSURE: 0.5 PSIG

LEAK RATE: 20 CC/MIN (MAX)

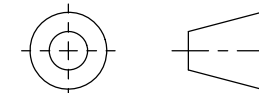
MATERIAL: COPPER ALLOY

FINISH: BRIGHT DIP

LABEL: STANDARD DIAMOND



THIRD ANGLE PROJECTION



DIMENSIONS ARE IN INCHES.
REMOVE ALL BURRS AND
SHARP EDGES .005 MAX,
UNLESS OTHERWISE
SPECIFIED, SURF FINISH 63
TOLERANCES ARE:
FRACTIONS DECIMALS ANGLES
±1/64 2 PLACES ±.03 ±1/2°
3 PLACES ±.010

INTERPRET DIMENSIONS &
TOLERANCES PER ASME Y14.5M

DIAMOND ANTENNA & MICROWAVE CORP
LITTLETON, MA 01460

TITLE:

CIRCULAR W/G ROTARY COUPLER

SIZE:

B

CAGE CODE:

01882

DRAWING NUMBER:

CAT 50-945-0

SCALE

1:3

WEIGHT (EST.):

SHEET **1 OF 1**