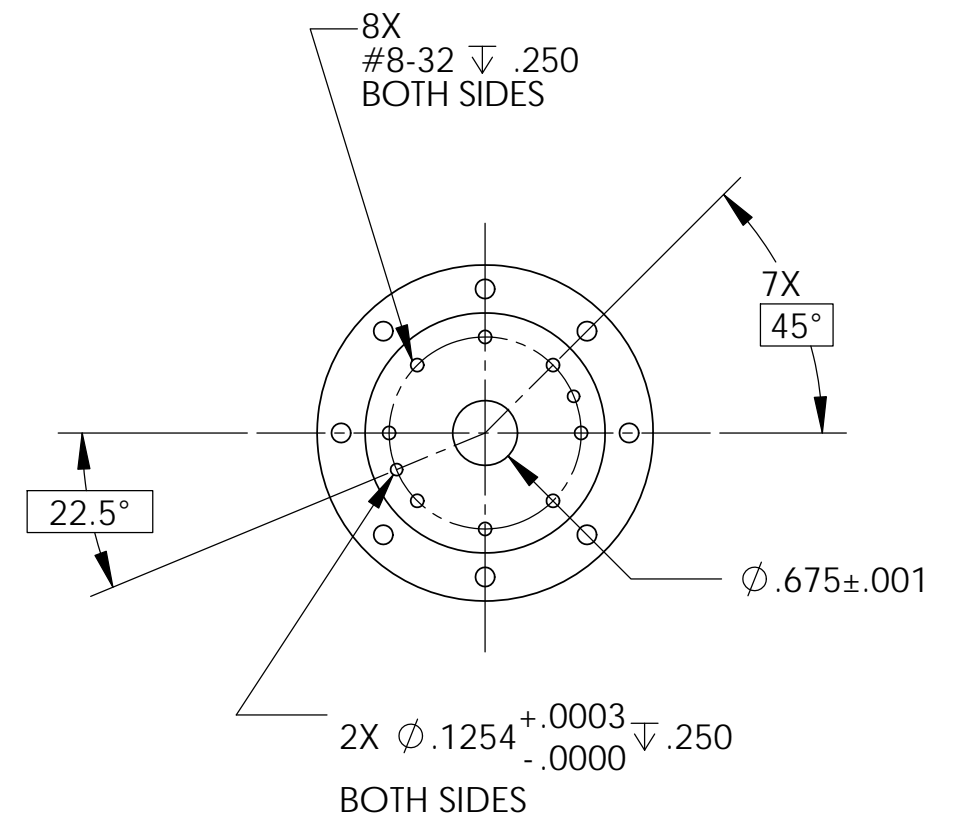
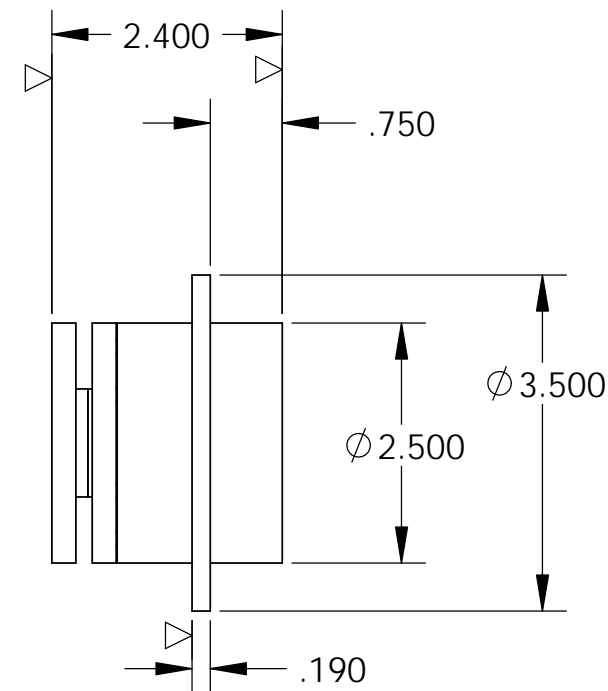
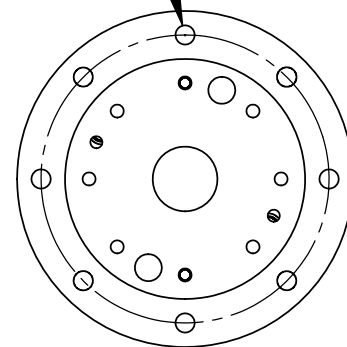


8X ϕ .200 THRU



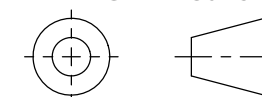
FREQUENCY 17.7 - 21.3 GHz
 VSWR 1.10 :1 MAX
 VSWR WOW 0.10 MAX
 INSERTION LOSS 0.20 dB MAX
 INS LOSS WOW 0.10 dB MAX
 POWER 1 W (CW)
 MATERIAL ALUM, 6061 -T6 ALLOY
 FINISH TBD

DO NOT PAINT SURFACES MARKED ∇

PRESSURE 2.0 psig
 LEAK RATE 1 SCF @ 0.5 psig
 TORQUE 50 IN-OZ
 MARKING MARKING TO INCLUDE AS A MINIMUM:
 DIAMOND LOGO, MODEL NUMBER,
 CAGE CODE & SERIAL NUMBER
 PER MIL-STD-130

TEMPERATURE 0°C to 50°C operating
 -40°C to 49°C non-operating
 HUMIDITY 0 to 100%
 PRESSURE 850 to 1083 bar

THIRD ANGLE PROJECTION



DIMENSIONS ARE IN INCHES.
 REMOVE ALL BURRS AND
 SHARP EDGES .005 MAX,
 UNLESS OTHERWISE
 SPECIFIED, SURF FINISH 63
 TOLERANCES ARE:
 FRACTIONS \pm 1/64 DECIMALS 2 PLACES \pm .03 ANGLES \pm 1/2°
 3 PLACES \pm .010

INTERPRET DIMENSIONS &
 TOLERANCES PER ASME Y14.5M

DIAMOND ANTENNA & MICROWAVE CORP
 LITTLETON, MA 01460

TITLE: **CIRCULAR GUIDE ROTARY COUPLER**

SIZE: **B** CAGE CODE: **01882** DRAWING NUMBER: **CAT 43-945-0**

SCALE 1:2 WEIGHT (EST.): SHEET 1 OF 1