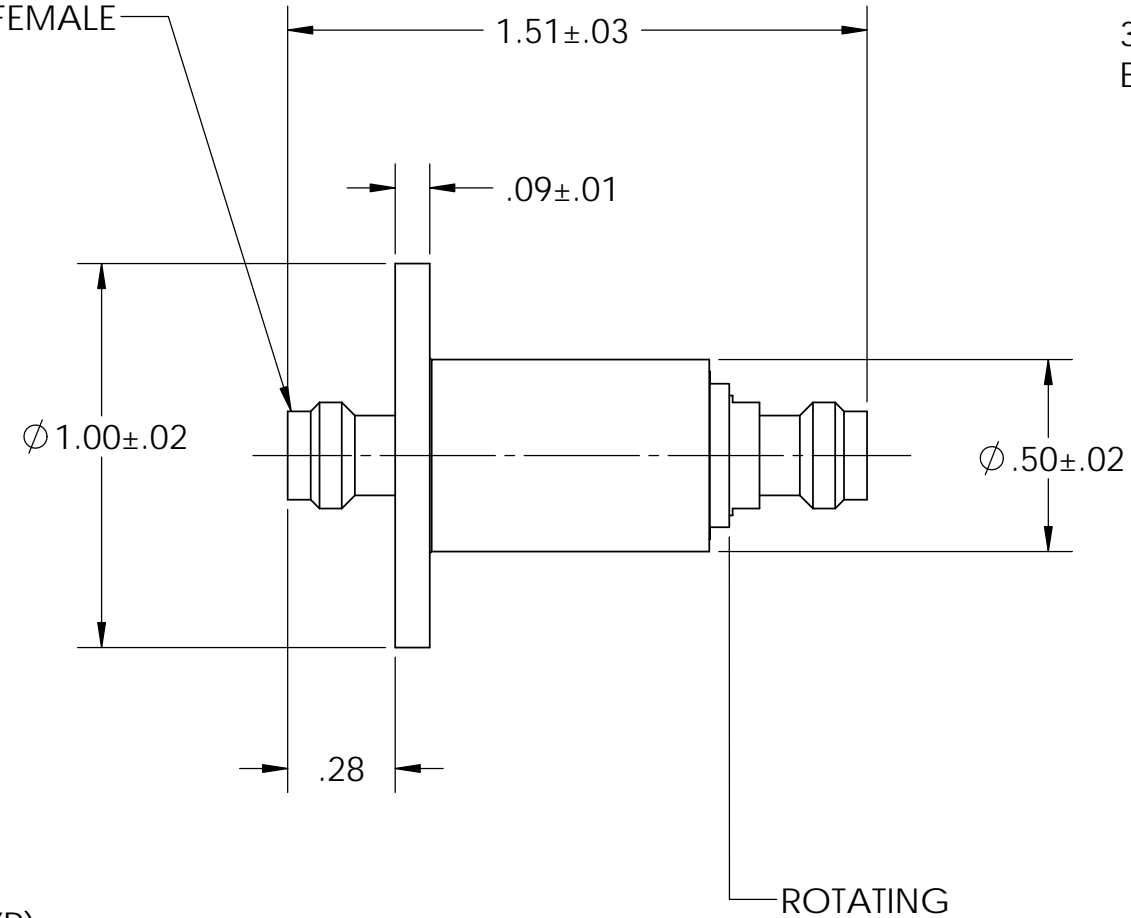
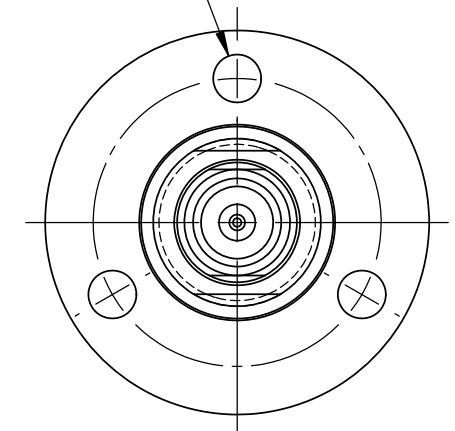


2X CONNECTOR
2.4MM FEMALE



3X $\phi .125 \pm .005$ THRU
EQUALLY SPACED ON BC



SPECIFICATIONS:

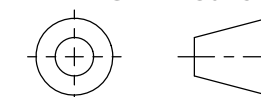
FREQUENCY (GHz)	DC - 50
VSWR (MAX)	DC - 26.5: 1.5:1 26.5 - 50: 1.8:1
VSWR WOW (MAX)	DC - 50: 0.05
INSERTION LOSS (dB)	DC - 26.5: 0.75 MAX (0.5 TYP) 26.5 - 50: 1.2 MAX (0.75 TYP)
INSERTION LOSS WOW (dB, MAX)	DC - 50: 0.05
ROTATIONAL SPEED (RPM, MAX)	200
TORQUE (IN OZ, MAX)	1 @ 23°C
WEIGHT (OZ, TYP)	1

MATERIAL: PRIMARILY STAINLESS STEEL UNS-S30300 PER ASTM A582

FINISH: PASSIVATE PER SAE-AMS2700 OR ASTM-967 (ROHS COMPLIANT)

MARKING: DIAMOND ANTENNA STANDARD LABEL WITH MODEL NO., SER. NO. & CODE IDENT.

THIRD ANGLE PROJECTION



DIMENSIONS ARE IN INCHES.
REMOVE ALL BURRS AND
SHARP EDGES .005 MAX,
UNLESS OTHERWISE
SPECIFIED, SURF FINISH 63
TOLERANCES ARE:
FRACTIONS $\pm 1/64$ DECIMALS 2 PLACES $\pm .03$ ANGLES $\pm 1/2^\circ$
3 PLACES $\pm .010$

INTERPRET DIMENSIONS &
TOLERANCES PER ASME Y14.5M

DIAMOND ANTENNA & MICROWAVE CORP

LITTLETON, MA 01460

TITLE:

50 GHz 2.4mm ROTARY COUPLER

SIZE:

B

CAGE CODE:

01882

DRAWING NUMBER:

CAT 15-2150-0

SCALE

2:1

WEIGHT (EST.):

SHEET 1 OF 1