

DESIGN SPECIFICATIONS

ELECTRICAL

	CHANNEL 1	CHANNEL 2
FREQUENCY, GHz:	DC-4.5	DC-4.5
VSWR, MAX:	1.5:1	1.5:1
VSWR WOW, MAX:	0.1	0.5
INSERTION LOSS, dB MAX:	0.3	0.3
INSERTION LOSS WOW, dB MAX:	0.15	0.15
POWER, PEAK, kW MAX:	1	1
POWER, AVERAGE, W MAX:	100 @ DC-2 GHz 60 @ 2-4.5 GHz	10
DC CARRYING CAPABILITY*:	0.5 A, 48 VDC @ 100 W RF 2 A, 48 VDC @ 5 W RF 5 A**, 48 VDC @ 5 W RF	0.5 A, 24 VDC @ 10 W RF

*DC APPLIED ONLY TO ONE CHANNEL AT A TIME.

**APPLIED FOR 1 X 10⁶ REVS OR 50 HOURS MAX.

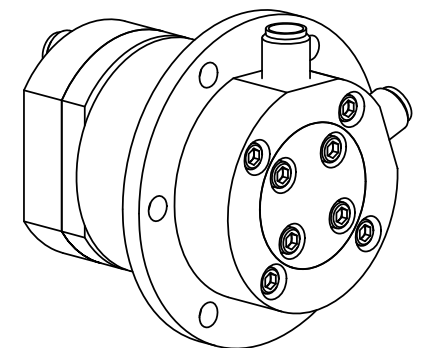
ISOLATION, MIN: <----- 50 dB ----->

MECHANICAL & ENVIRONMENTAL

ROTATIONAL SPEED, RPM:	60 MAX, 30 NOMINAL
TEMPERATURE, OPERATING:	-40C TO + 71C
TEMPERATURE, NON-OPERATING:	-55C TO + 85C
TORQUE, MAX:	8 IN-OZ (5.7 Ncm)
WEIGHT, APPROX:	5 OZ (.14 kg)
LIFE, MIN:	5 X 10 ⁶ REVS

NOTES:

1. MATERIAL: PRIMARILY ALUMINUM ALLOY.
2. FINISH: CHEMICAL CONVERSION COAT PER MIL-DTL-5541, ROHS COMPLIANT.
3. MARKING: DIAMOND STANDARD LABEL.
4. DIMENSIONS IN BRACKETS [] ARE IN mm.



THIRD ANGLE PROJECTION		DIAMOND ANTENNA & MICROWAVE CORP LITTLETON, MA 01460	
		TITLE: DUAL CHANNEL ROTARY JOINT	
DIMENSIONS ARE IN INCHES. REMOVE ALL BURRS AND SHARP EDGES .005 MAX, UNLESS OTHERWISE SPECIFIED. SURF FINISH 63 TOLERANCES ARE: FRACTIONS ±1/64 DECIMALS 2 PLACES ±.03 ANGLES ±1/2° 3 PLACES ±.010		SIZE: B	CAGE CODE: 01882
INTERPRET DIMENSIONS & TOLERANCES PER ASME Y14.5M		DRAWING NUMBER: CAT 14-2241-0	SCALE: 1:1
		WEIGHT (EST.):	SHEET 1 OF 1