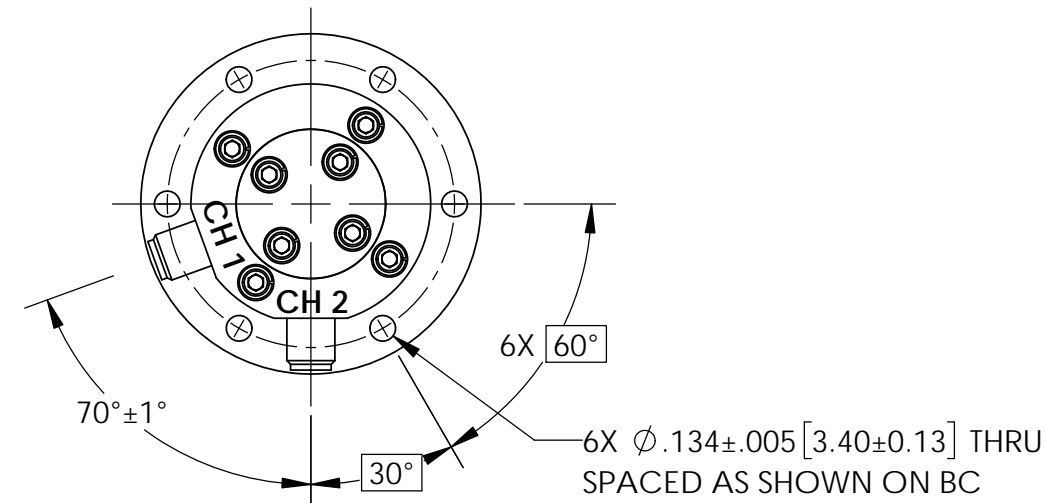
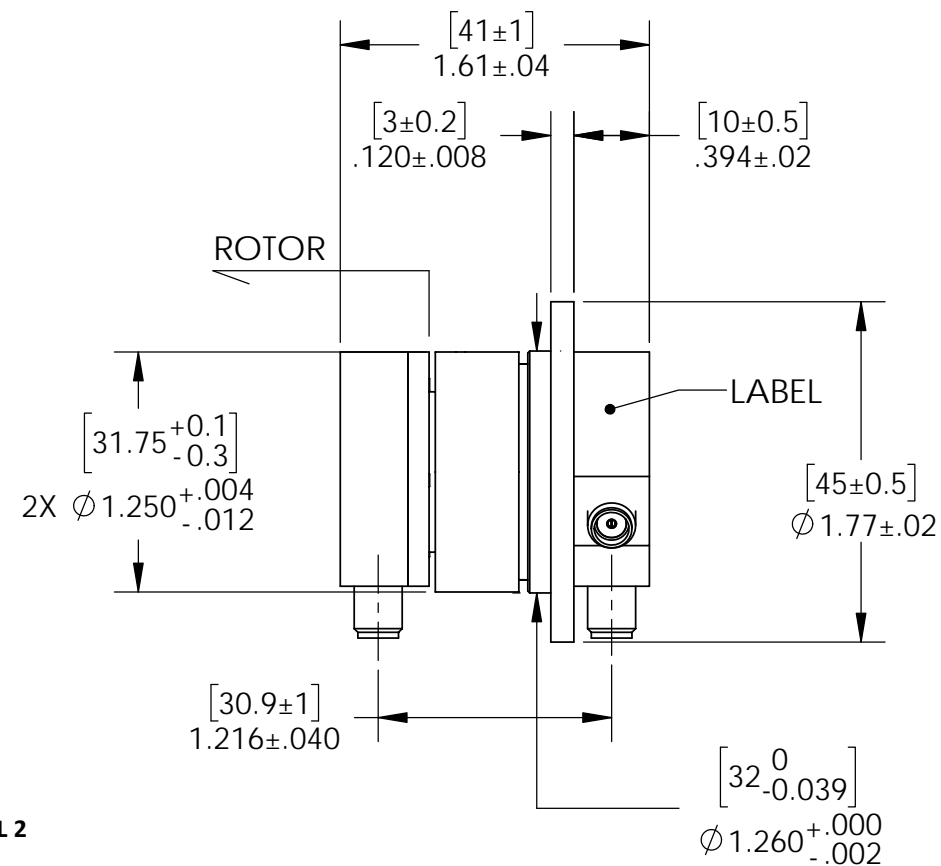


4X CONNECTOR,
SMA FEMALE

DESIGN SPECIFICATIONS



ELECTRICAL

	CHANNEL 1	CHANNEL 2
FREQUENCY, GHz:	DC-4.5	DC-4.5
VSWR, MAX:	1.5:1	2.0:1
VSWR WOW, MAX:	0.1	0.5
INSERTION LOSS, dB MAX:	1.0	1.0
INSERTION LOSS WOW, dB MAX:	0.06	0.4
PHASE WOW, DEG. MAX:	0.5	4
POWER, PEAK, kW MAX:	1	1
POWER, AVERAGE, W MAX:	100 @ DC-2 GHz 60 @ 2-4.5 GHz	10
DC CARRYING CAPABILITY*:	0.5 A, 48 VDC @ 100 W RF 2 A, 48 VDC @ 5 W RF 5 A**, 48 VDC @ 5 W RF	0.5 A, 24 VDC @ 10 W RF

*DC APPLIED ONLY TO ONE CHANNEL AT A TIME.

**APPLIED FOR 1 X 10⁶ REVS OR 50 HOURS MAX.

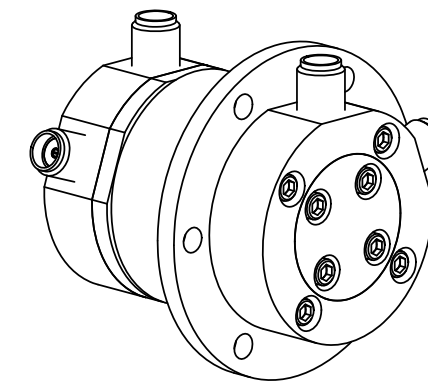
ISOLATION, MIN: <----- 50 dB ----->

MECHANICAL & ENVIRONMENTAL

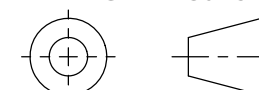
ROTATIONAL SPEED, RPM:	60 MAX, 30 NOMINAL
TEMPERATURE, OPERATING:	-40C TO + 71C
TEMPERATURE, NON-OPERATING:	-55C TO + 85C
TORQUE, MAX:	8 IN-OZ (5.7 Ncm)
WEIGHT, APPROX:	5 OZ (.14 kg)
LIFE, MIN:	5 X 10 ⁶ REVS

NOTES:

1. MATERIAL: PRIMARILY ALUMINUM ALLOY.
2. FINISH: CHEMICAL CONVERSION COAT PER MIL-DTL-5541, ROHS COMPLIANT.
3. MARKING: DIAMOND STANDARD LABEL.
4. INSTALL PROTECTIVE CONNECTOR CAPS.
5. DIMENSIONS IN PARENTHESIS () ARE REFERENCE.
6. DIMENSIONS IN BRACKETS [] ARE IN mm.
7. ALL ACCEPTANCE TESTING IS PERFORMED AT ROOM TEMPERATURE.



THIRD ANGLE PROJECTION



DIMENSIONS ARE IN INCHES.
REMOVE ALL BURRS AND
SHARP EDGES .005 MAX,
UNLESS OTHERWISE
SPECIFIED, SURF FINISH 63
TOLERANCES ARE:
FRACTIONS ±1/64 DECIMALS 2 PLACES ±.03 ANGLES ±1/2°
3 PLACES ±.010

INTERPRET DIMENSIONS &
TOLERANCES PER ASME Y14.5M

DIAMOND ANTENNA & MICROWAVE CORP

LITTLETON, MA 01460

TITLE:

DUAL CHANNEL ROTARY JOINT

SIZE:

B

CAGE CODE:

01882

DRAWING NUMBER:

CAT 15-2241-0

SCALE 1:1

WEIGHT (EST.):

SHEET 1 OF 1