

DESIGN SPECIFICATIONS

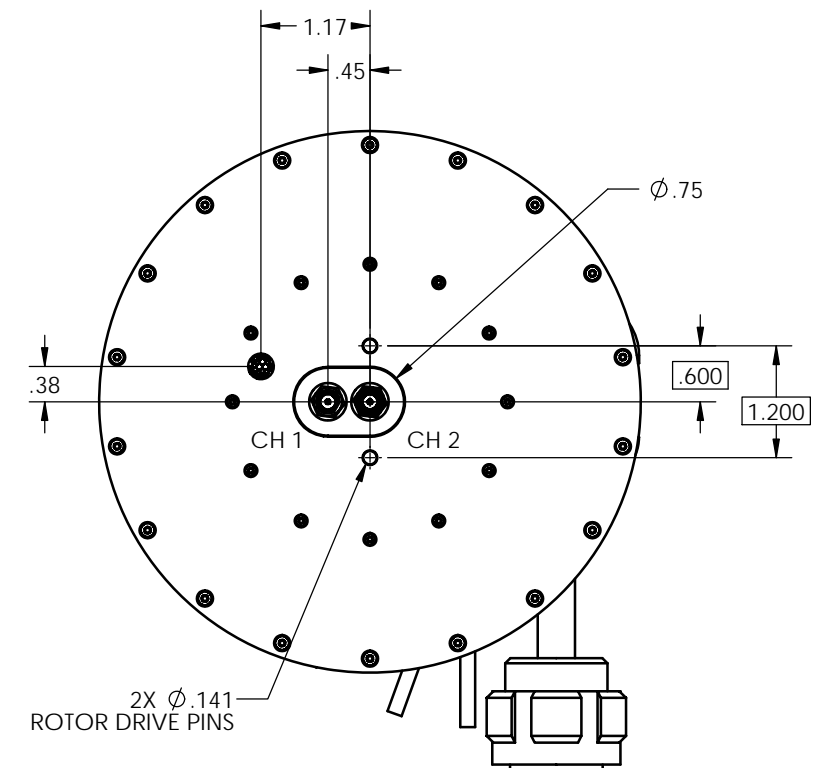
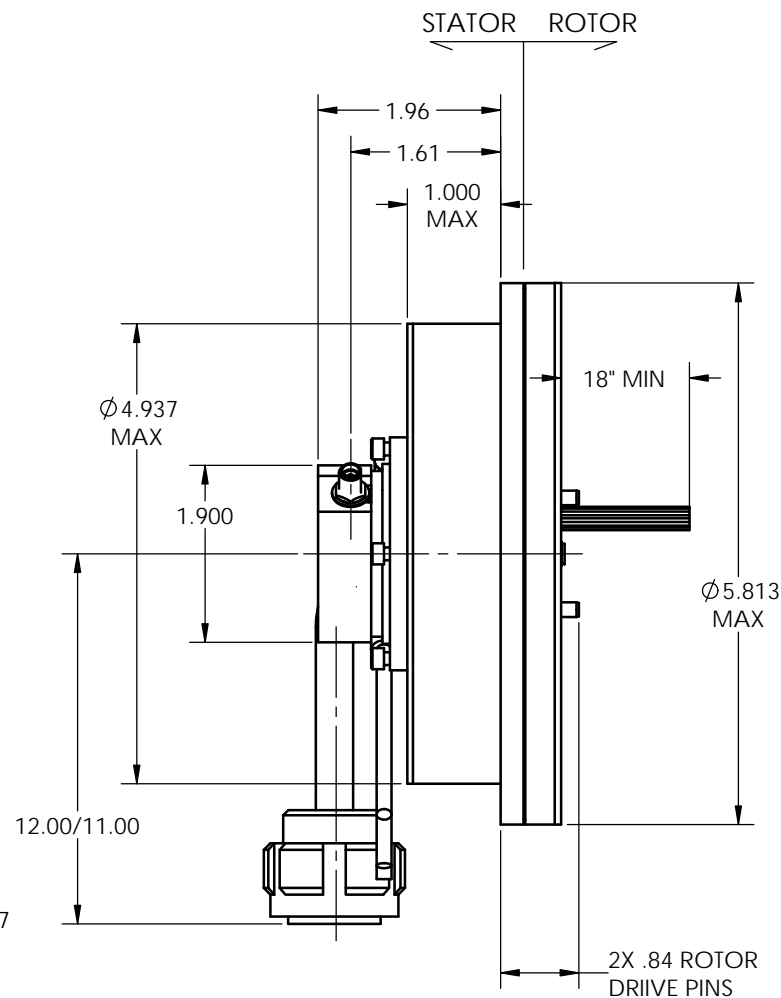
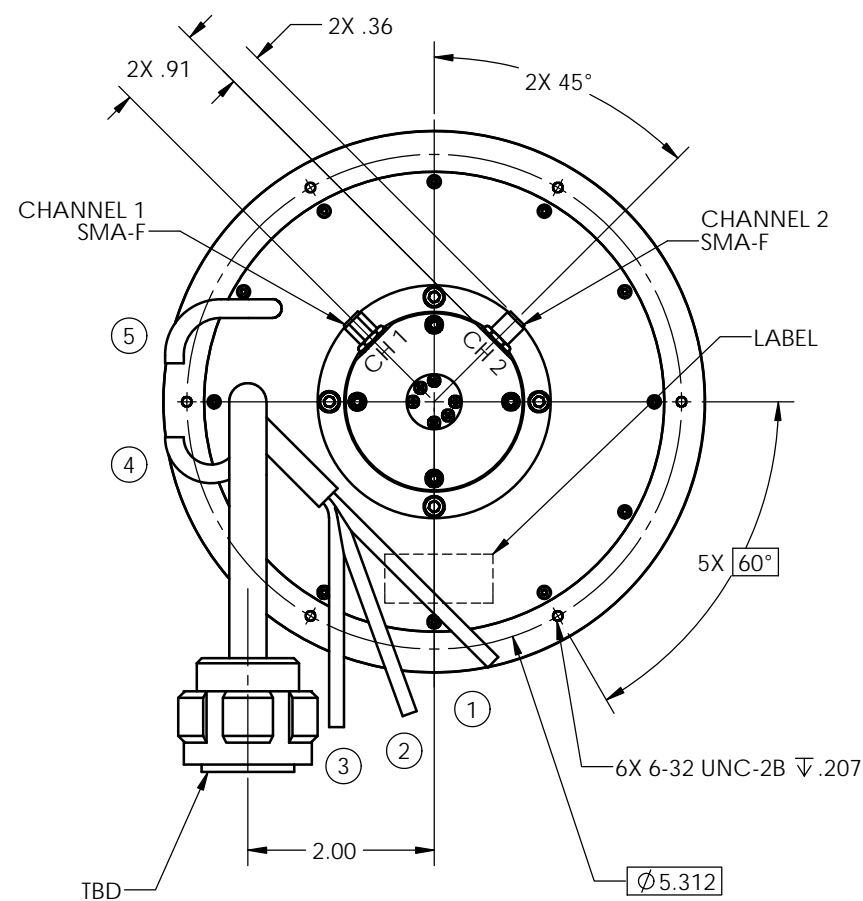
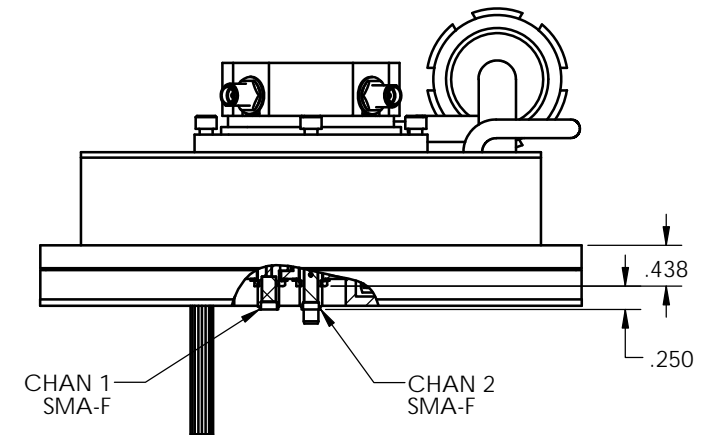
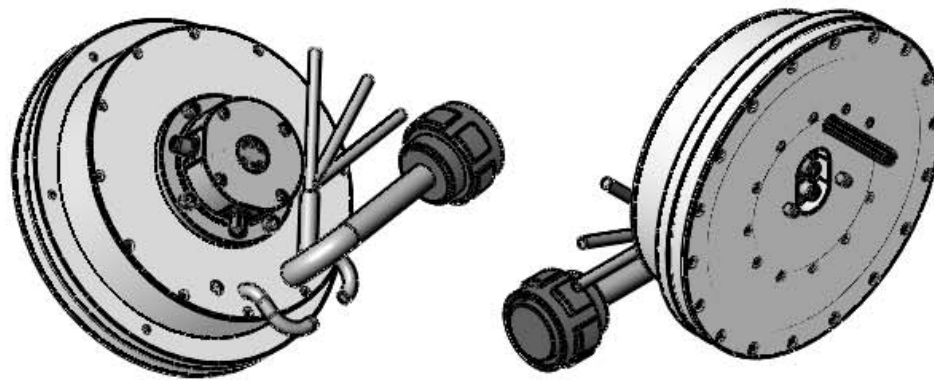
| ELECTRICAL | CH.1 | CH.2 |
|-------------------|-----------------|------------|
| FREQUENCY (GHz) : | 10.95-12.75 | 13.75-14.5 |
| VSWR : | 1.4:1 | 1.4:1 |
| INS LOSS (dB) : | 0.75 | 0.75 |
| POWER : | 10 W | 30 W |
| ISOLATION (dB) : | ----- 50 -----> | |

MECHANICAL & ENVIRONMENTAL

ROTATIONAL SPEED : 10 RPM
 MATERIAL : ALUMINUM
 FINISH : CHROMATE CVRSN PER MIL-DTL-5541, TYPE II, CL 3, CLEAR
 WEIGHT : 3.5 LBS
 LIFE : 25000 HRS @ 10 RPM
 TORQUE : 20 IN-OZ @ 25°C
 TEMP. (OPERATING) : -55°C TO +70°C
 MARKING : MARKED AREA INDICATED:
 -SERIAL NO.: XXXX
 -DATE CODE: YYWW

24 CHANNEL SLIP RING

SIGNAL : 22 CHANNELS @ 2 AMPS EACH
 POWER : 2 CHANNELS @ 6 AMPS EACH



| | | | |
|-----------------------------|------------------|---|--|
| THIRD ANGLE PROJECTION | | DIAMOND ANTENNA & MICROWAVE CORP LITTLETON, MA 01460 | |
| TITLE: 2 CHANNEL SMA R/J | | | |
| SIZE: C | CAGE CODE: 01882 | DRAWING NUMBER: CAT 109-2255-0 | |
| SCALE: 3:4 | WEIGHT (EST.): | SHEET 1 OF 1 | |

DIMENSIONS ARE IN INCHES.
 REMOVE ALL BURRS AND SHARP EDGES .005 MAX, UNLESS OTHERWISE SPECIFIED, SURF FINISH 63
 TOLERANCES ARE:
 FRACTIONS 2 PLACES ±.03
 DECIMALS 3 PLACES ±.010
 ANGLES 2 PLACES ±1/2
 INTERPRET DIMENSIONS & TOLERANCES PER ASME Y14.5M