

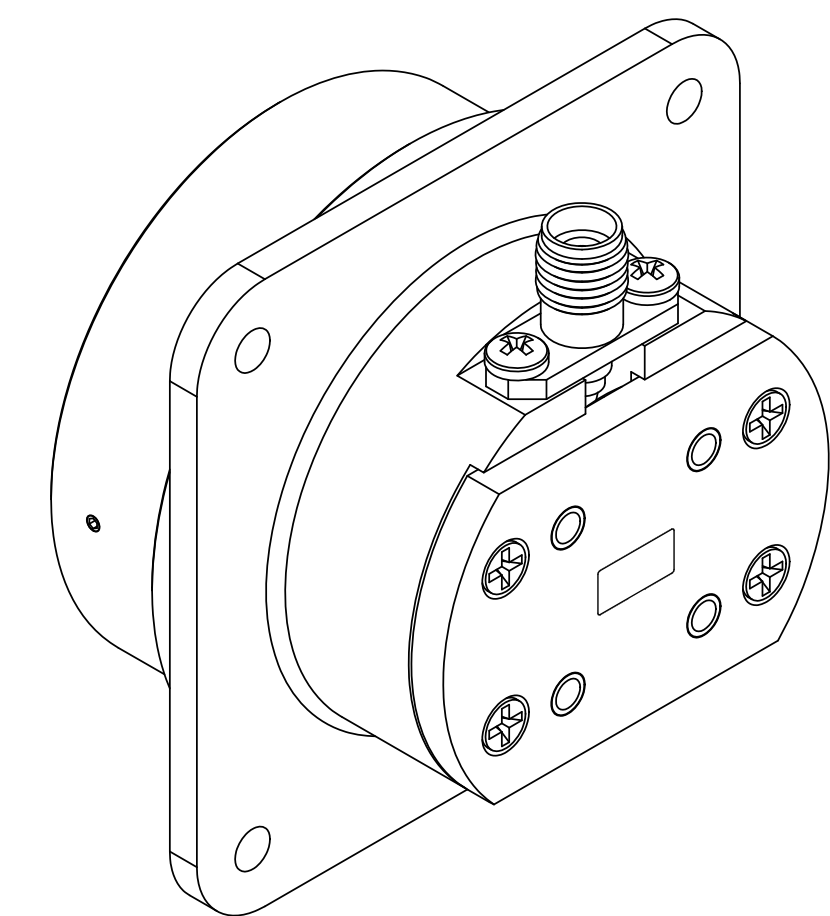
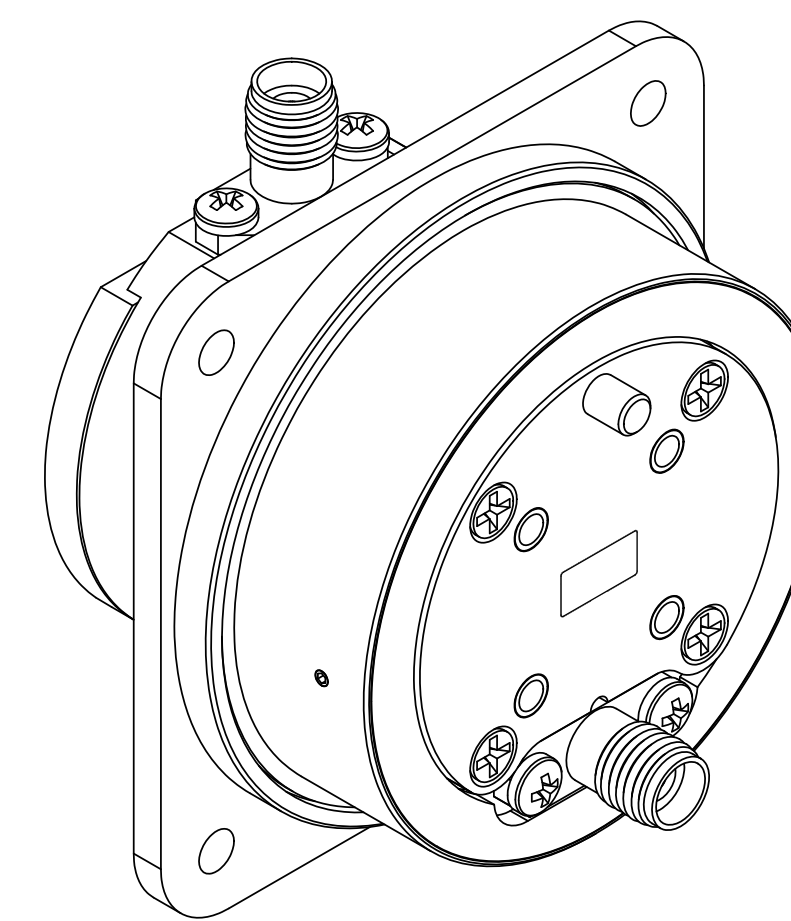
DESIGN SPECIFICATIONS

ELECTRICAL

	CH 1 TX	CH 2 RX
FREQUENCY (GHz):	29-31	19.2 - 21.2
VSWR (MAX):	1.2:1	1.2:1 (19.2 - 20.2 GHz) 1.3:1 (20.2 - 21.2 GHz)
INSERTION LOSS (dB, MAX):	0.35	0.7
INSERTION LOSS WOW (dB, MAX):	0.1	0.2
PHASE WOW (deg):	2.0	2.0
PEAK POWER @ 45,000 FT (MAX):	100 W	5 W
PEAK POWER @ 55,000 FT (MAX):	50 W	5 W
AVERAGE POWER @ 45,000 FT (MAX):	100 W	5 W
AVERAGE POWER @ 55,000 FT (MAX):	50 W	5 W
RF SHIELDING (dB, MIN):	<----- 65 ----->	
ISOLATION (dB, MIN):	<----- 65 ----->	
ELECTRICAL BONDING (MAX):	<----- 2.5 mOHMS ----->	
DC BLOCKING		600 VDC

MECHANICAL & ENVIRONMENTAL

ALTITUDE, OPERATING:	0 TO 55,000 FEET
ROTATIONAL SPEED:	25 RPM MAX
LIFE:	20 YEARS
TEMPERATURE, OPERATING:	-55 °C TO +70 °C
TEMPERATURE, NON-OPERATING:	-55 °C TO +85 °C
TORQUE:	14 IN-OZ MAX
WEIGHT:	.5 LBS MAX
MATERIAL:	PRIMARILY ALUMINUM ALLOY - CHEMICAL CONVERSION COAT MIL-DTL-5541. REF. 15-22124-200
MARKING:	AS INDICATED PER MIL-STD-130 .03 - .06 HIGH CHARACTERS BLACK EPOXY INK AA56032-IIBLK OR LASER MARK.



THIRD ANGLE PROJECTION		DIAMOND ANTENNA & MICROWAVE CORP LITTLETON, MA 01460	
DIMENSIONS ARE IN INCHES. REMOVE ALL BURRS AND SHARP EDGES .005 MAX, UNLESS OTHERWISE SPECIFIED. SURF FINISH 63. TOLERANCES ARE: FRACTIONS DECIMALS ANGLES 1/164 3 PLACES ± 0.10		TITLE: DUAL CHANNEL ROTARY JOINT	
SIZE: D	CAGE CODE: 01882	DRAWING NUMBER: CAT 15-22124-0	
SCALE: 2:1	WEIGHT (EST.):	SHEET 1 OF 1	