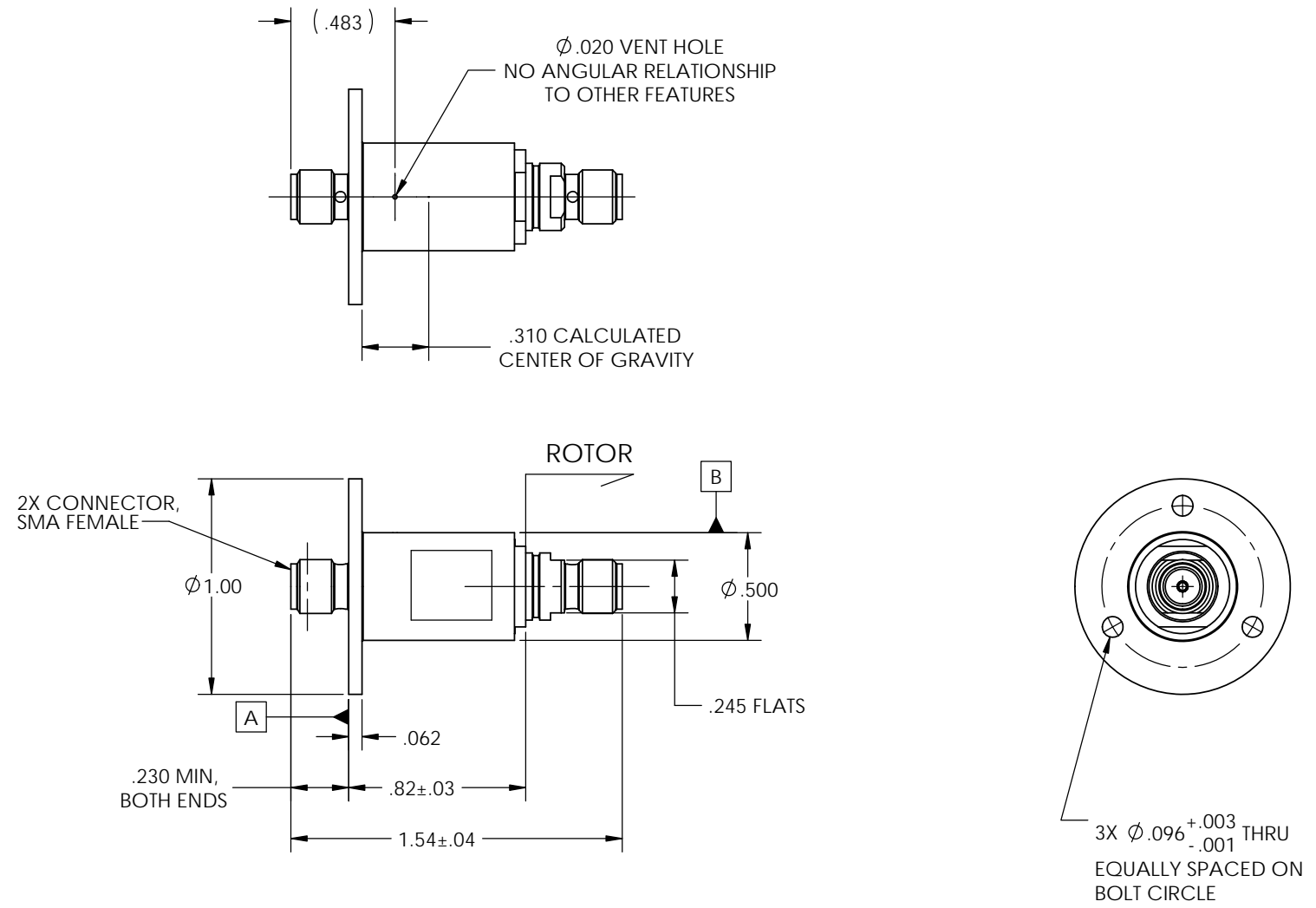


## SPECIFICATIONS

FREQUENCY (GHz):	1.20 TO 1.60
	1.70 TO 2.30
	6.50 TO 8.50
VSWR (MAX):	
1.20-1.60 (GHz)	1.25:1
1.70-2.30 (GHz)	1.25:1
6.50-8.50 (GHz)	1.35:1
VSWR WOW (MAX)	0.05
INSERTION LOSS (dB, MAX)	0.25
INSERTION LOSS WOW (dB, MAX)	0.1
RF POWER (MAX)	
1.20-1.60 (GHz)	+15 dBm
1.70-2.30 (GHz)	7 WATTS
6.50-8.50 (GHz)	12 WATTS
DC RESISTANCE (MAX)	0.1 OHMS
IMPEDANCE	50 OHMS
NOISE	-156dBm/HZ
DC POWER	.25 AMPS @ 5 VDC (1.25 WATTS)
ROTATIONAL SPEED	1.5 RPM, MAX
TORQUE	16 OZ-IN MAX
MASS (APPROX)	26 GRAMS
LIFE (MIN)	37,500 CYCLES OVER 7.5 YEARS
TEMPERATURE, NON-OPERATING	-60 C TO 80 C
TEMPERATURE, OPERATING	-30 C TO 50 C



THIRD ANGLE PROJECTION		<b>DIAMOND ANTENNA &amp; MICROWAVE CORP</b> <small>LITTLETON, MA 01460</small>	
<small>DIMENSIONS ARE IN INCHES. REMOVE ALL BURRS AND SHARP EDGES .005 MAX, UNLESS OTHERWISE SPECIFIED, SURF FINISH 63 TOLERANCES ARE:</small> <small>FRACTIONS 2 PLACES ±.05</small> <small>DECIMALS 2 PLACES ±.010</small> <small>ANGLES 2 PLACES ±1/2</small>		<small>TITLE:</small> <b>SINGLE CHANNEL, SMA, ROTARY JOINT</b>	
<small>SIZE:</small> <b>C</b>	<small>CAGE CODE:</small> <b>01882</b>	<small>DRAWING NUMBER:</small> <b>CAT 97-2124-0</b>	
<small>SCALE</small> <b>2:1</b>	<small>WEIGHT (EST.):</small>	<small>SHEET</small> <b>1 OF 1</b>	