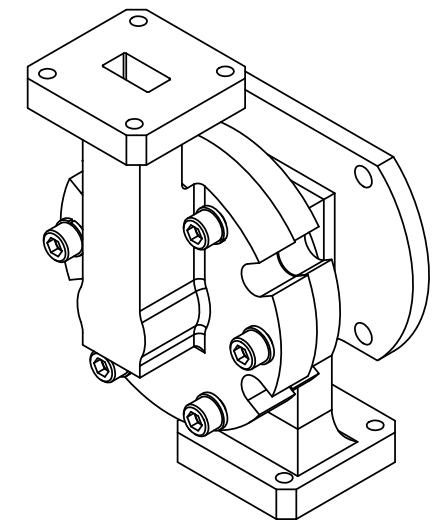
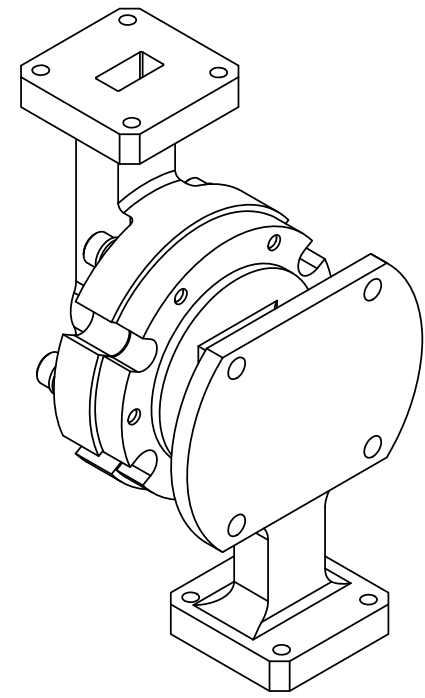


TYPICAL FLANGE DETAIL



**SPECIFICATIONS**

- FREQUENCY (GHz): 26.2 TO 27.2
- VSWR (MAX): 1.50:1
- INSERTION LOSS (dB, MAX) 0.25
- RF POWER, PEAK (MAX) 160 W
- ROTATION +/- 100 DEGREES FROM ORIENTATION SHOWN
- ROTATION RATE 2 DEGREES PER SECOND MAX
- OPERATING TORQUE 16 IN-OZ MAX @ 23 C
- OPERATING TORQUE 16 IN-OZ MAX GOAL @ -45 C
- MASS (LBS, MAX) 0.5
- LIFE (MIN) 350,000 CYCLES
- TEMPERATURE, NON-OPERATING -70 C TO 80 C
- TEMPERATURE, OPERATING -45 C TO 90 C

THIRD ANGLE PROJECTION		DIAMOND ANTENNA & MICROWAVE CORP LITTLETON, MA 01460	
DIMENSIONS ARE IN INCHES. REMOVE ALL BURRS AND SHARP EDGES .005 MAX, UNLESS OTHERWISE SPECIFIED. SURF FINISH 63 TOLERANCES ARE: FRACTIONS DECIMALS ANGLES 1/64 2 PLACES 0.010 1/12 1/32 3 PLACES 0.010 1/12		TITLE: SINGLE CHANNEL ROTARY JOINT, WR-34, U STYLE	
SIZE: D	CAGE CODE: 01882	DRAWING NUMBER: CAT 21-1147-0	
SCALE: 2:1	WEIGHT (EST.):	SHEET 1 OF 1	