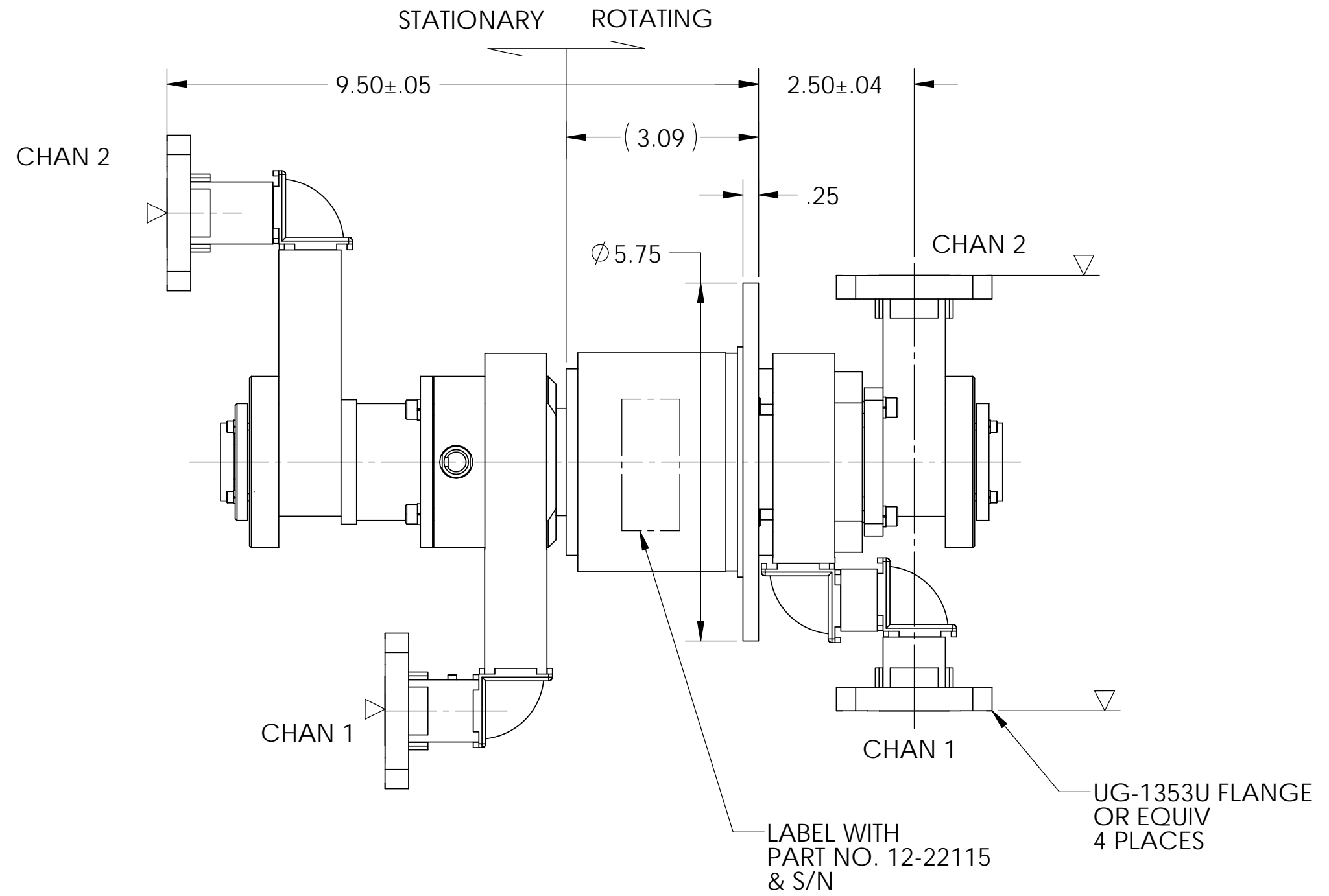
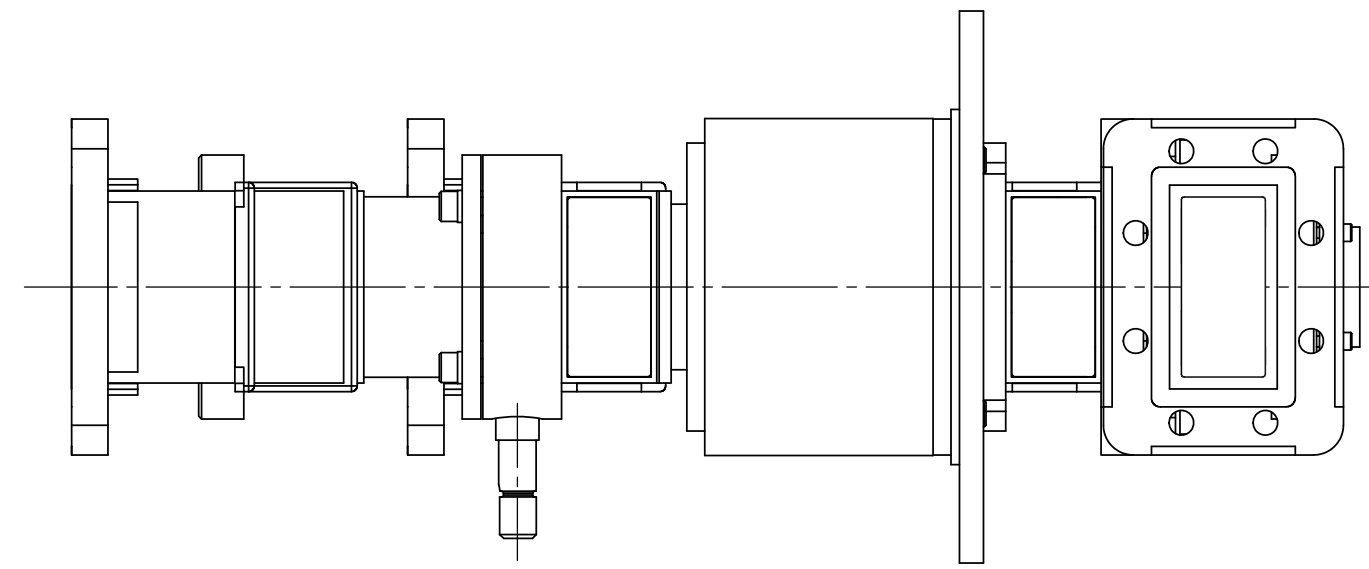
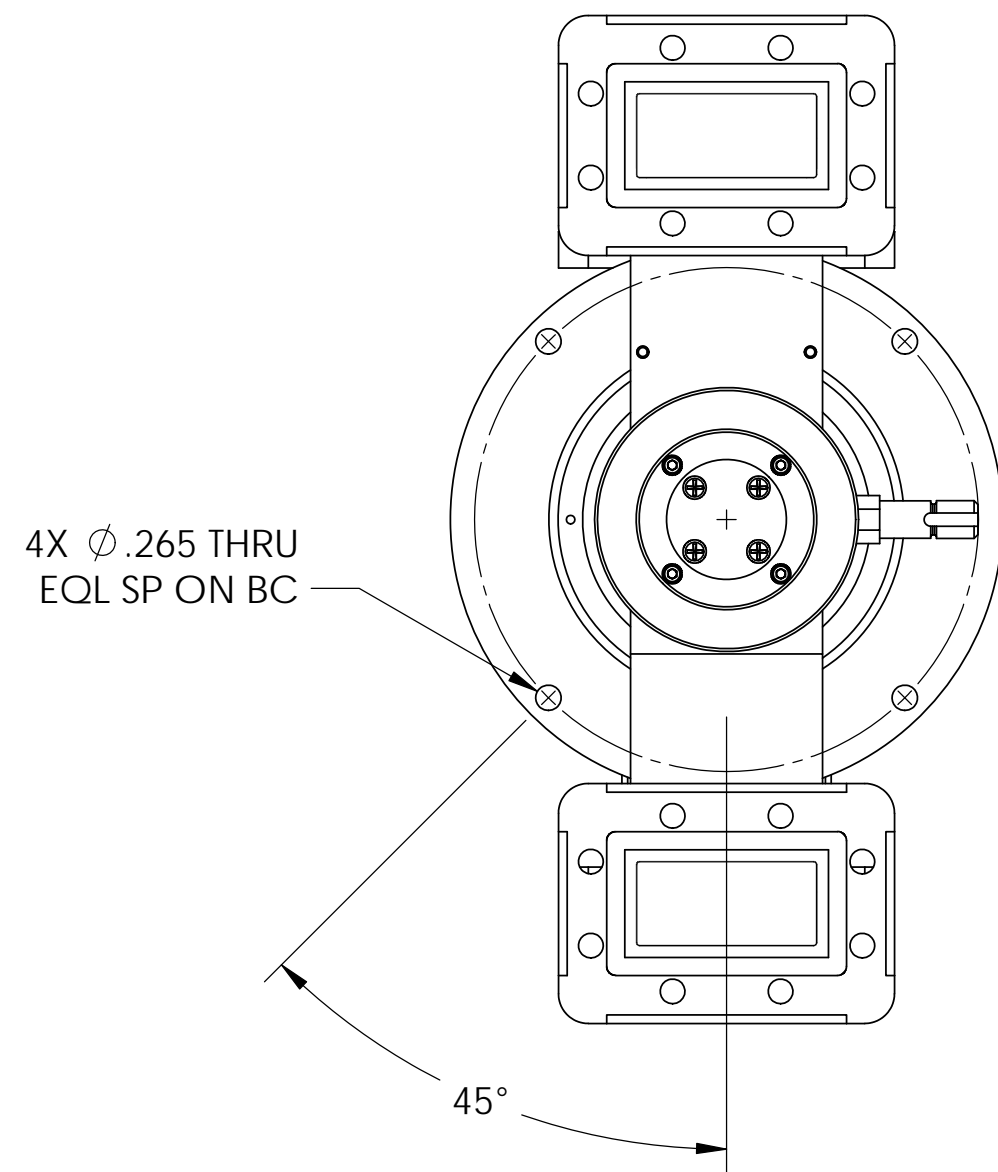


SPECIFICATIONS

	CH 1	CH 2
FREQUENCY	5.3 - 5.5	5.3 - 5.7
VSWR (MAX):	1.3:1 MAX	1.30:1 MAX
VSWR WOW (MAX):	0.05	0.05
INS LOSS (MAX):	.2dB	.30dB
POWER, PEAK:	500kw	500kw
POWER, AVERAGE:	500w	500w
WAVEGUIDE:	WR-187	WR-187
ISOLATION:	---50dB---	

PRESSURE: 20 psig MINIMUM REQ'D
 LEAK RATE: 3cu in / min
 TORQUE: 20 in-lbs
 MATERIAL: Aluminum Alloy
 WEIGHT: 25 Lbs
 FINISH: TBD



NOTES:

1. MASK AS INDICATED ▽

THIRD ANGLE PROJECTION

DIMENSIONS ARE IN INCHES.
REMOVE ALL BURRS AND
SHARP EDGES .005 MAX,
UNLESS OTHERWISE
SPECIFIED. SURF FINISH 63
TOLERANCES ARE:
FRACTIONS DECIMALS ANGLES
±1/64 2 PLACES ±.03 ±1/2°
3 PLACES ±.010

INTERPRET DIMENSIONS &
TOLERANCES PER ASME Y14.5M

DIAMOND ANTENNA & MICROWAVE CORP
LITTLETON, MA 01460

TITLE:
2 CHANNEL ROTARY JOINT, WR-187

SIZE: C	CAGE CODE: 01882	DRAWING NUMBER: CAT 12-22115-0
SCALE 1:2	WEIGHT (EST.):	SHEET 1 OF 1