

**ROTARY JOINT SPECIFICATIONS**

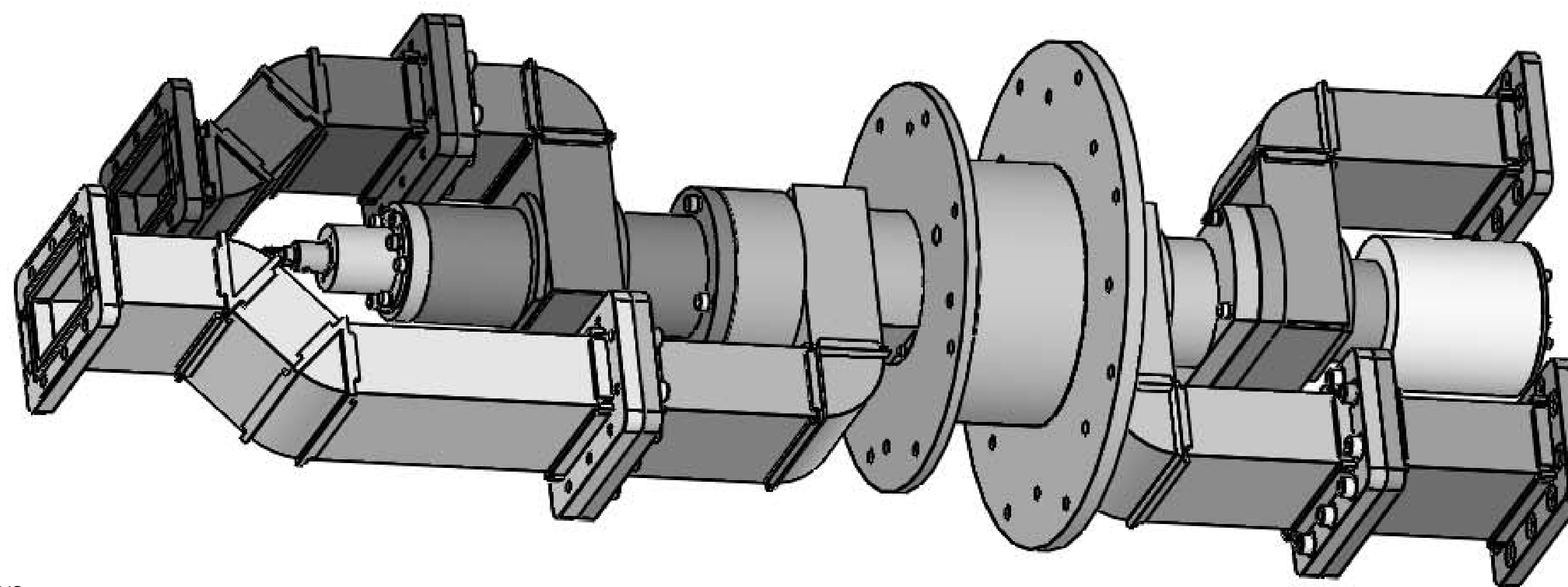
	CH-1	CH-2
FREQUENCY (GHz):	2.7 - 2.9	2.7 - 2.9
VSWR:	1.2:1	1.2:1
VSWR WOW:	0.05	0.05
LOSS (dB):	0.30	0.30
LOSS WOW (dB):	0.10	0.05
POWER PEAK:	1.0 MW	1.0 MW
POWER AVG:	1.0 KW	1.0 KW
WAVEGUIDE:	WR-284	WR-284
ISOLATION:	<----- 50 dB (MIN) ----->	
SPEED:	10 RPM	
TORQUE:	2.0 FT-LBS	
PRESSURE:	20 PSIG	
LEAK RATE:	20 CC/MIN	
MATERIAL:	ALUMINUM	
FINISH:	TBD	

**FIBER OPTIC R/J SPECIFICATIONS**

CHANNELS:	1 (CHANNEL)
WAVELENGTH:	1550 NM
CONNECTORS:	ST (BOTH ENDS)

**NOTES:**

1. MASK SURFACES MARKED  $\nabla$



MARKING: LABEL IN AREA INDICATED SHALL INCLUDE AS A MINIMUM; DIAMOND LOGO, P/N AND SERIAL NO.

THIRD ANGLE PROJECTION

DIMENSIONS ARE IN INCHES.  
REMOVE ALL BURRS AND SHARP EDGES .005 MAX.  
UNLESS OTHERWISE SPECIFIED, SURF. FINISH 63  
TOLERANCES ARE:  
FRACTIONS DECIMALS ANGLES  
1/64 3 PLACES 1.010

**DIAMOND ANTENNA & MICROWAVE CORP**  
LITTLETON, MA 01460

TITLE: **DUAL CHANNEL ASSY**

SIZE: **D** CAGE CODE: **01882** DRAWING NUMBER: **CAT 34-2281-0**

SCALE: **1:2** WEIGHT (EST.): SHEET **1** OF **1**

INTERPRET DIMENSIONS & TOLERANCES PER ASME Y14.5M