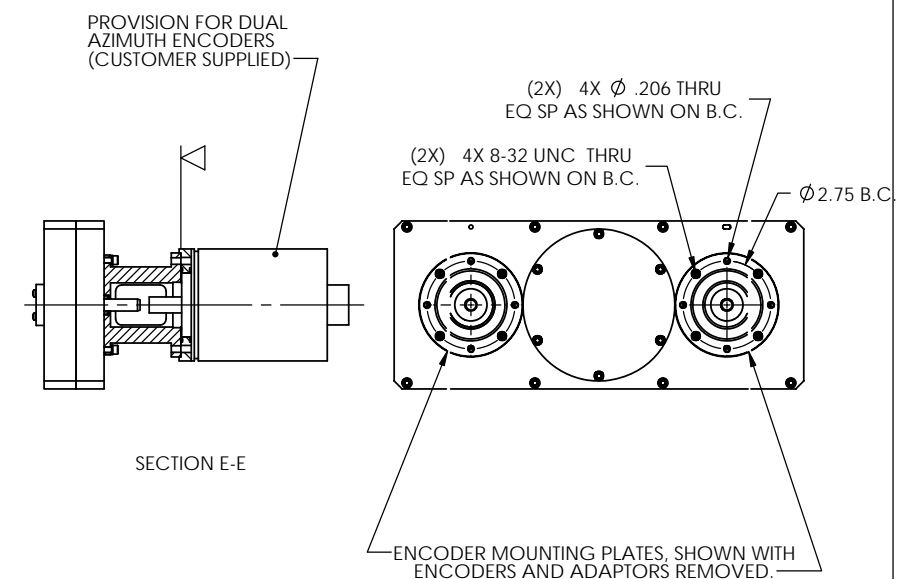
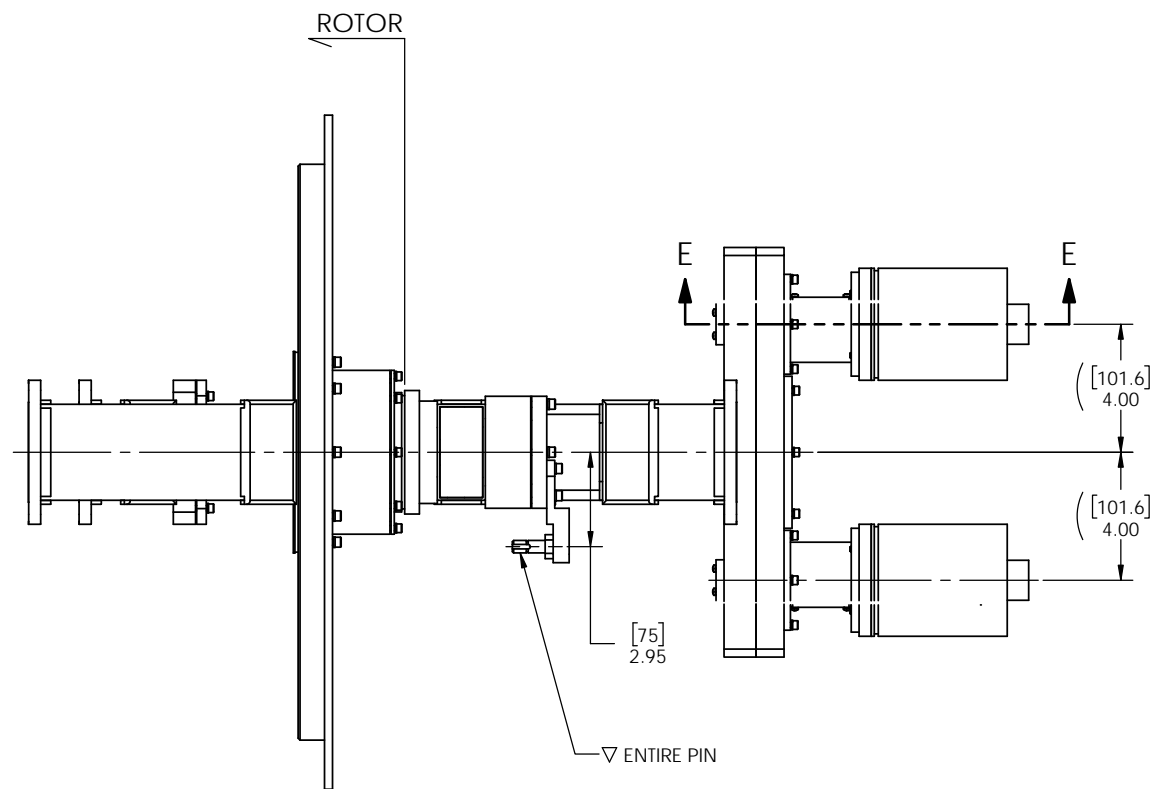


**SPECIFICATIONS**

CHAN NO.	CHAN 1	CHAN 2
FREQUENCY	2.7-2.9GHz	2.7-2.9GHz
VSWR	<1.2:1	<1.2:1
VSWR WOW	<0.05	<0.05
LOSS	<0.30dB	<0.25dB
LOSS WOW	<0.10dB	<0.05dB
PEAK POWER	R <sub>x</sub>	70KW
MEAN POWER	R <sub>x</sub>	1.55kW
ISOLATION	60dB	
FLANGES	CPR284G W/SEAL GROOVE	

MATERIAL: ALUMINUM  
 FINISH: TBD  
 MASKING: SURFACES INDICATED WITH Δ  
 SPEED: 15 RPM  
 PRESSURE: 25 PSIG  
 LEAK RATE: 25CC/MIN @ 5PSI ACROSS THE -40°C TO 55°C TEMP RANGE @ 10,000FT ABOVE SEA LEVEL



THIRD ANGLE PROJECTION	DIAMOND ANTENNA & MICROWAVE CORP LITTLETON, MA 01460		
DIMENSIONS ARE IN INCHES. REMOVE ALL BURRS AND SHARP EDGES .005 MAX, UNLESS OTHERWISE SPECIFIED. SURF FINISH 63. TOLERANCES ARE: FRACTIONS DECIMALS ANGLES 2/100 2 PLACES 0.010 ±1/2	TITLE: DUAL CHANNEL ASSY		
SIZE: D	CAGE CODE: 01882	DRAWING NUMBER: CAT 38-2281-0	
SCALE: 1:3	WEIGHT (EST.):	SHEET 1 OF 1	