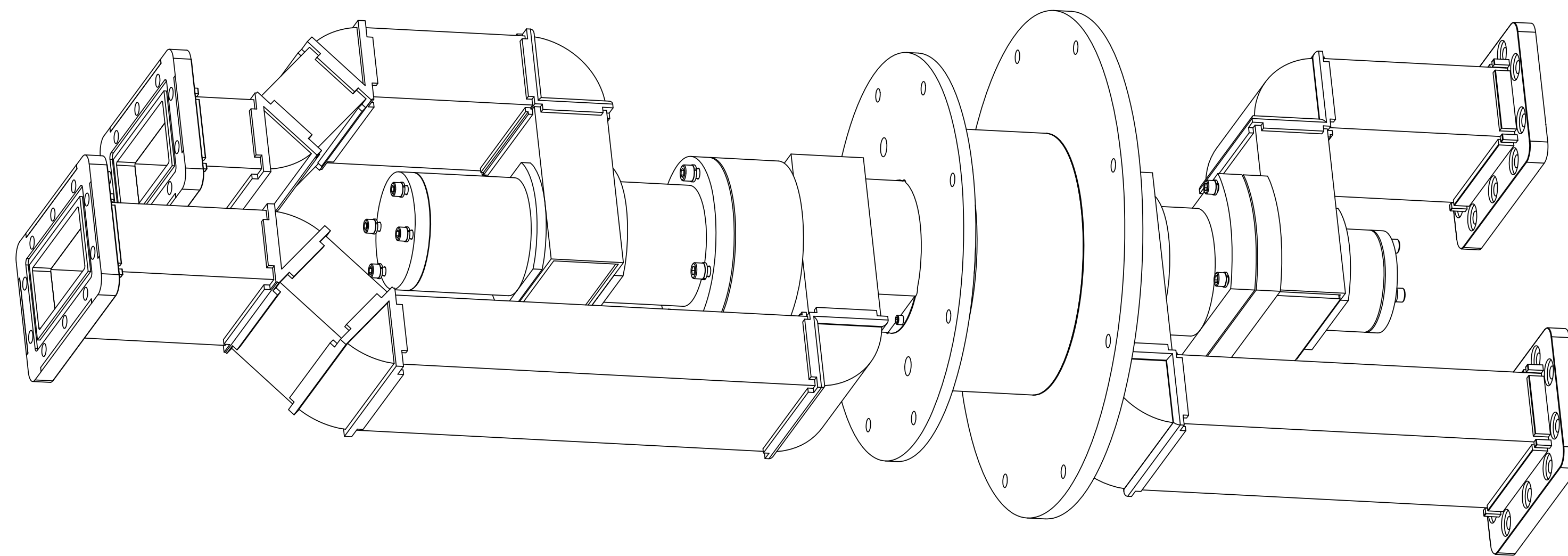


### SPECIFICATIONS

	CH-1	CH-2
FREQUENCY (GHz): G-1	2.7 - 2.725 - 2.9	2.7 - 2.725 - 2.9
G-2	2.7 - 2.809 - 2.9	2.7 - 2.809 - 2.9
VSWR:	1.20 - 1.15 - 1.20	1.20 - 1.15 - 1.20
VSWR WOW:	0.05	0.05
LOSS (dB):	0.30	0.30
LOSS WOW (dB):	0.10	0.05
POWER PEAK:	1MW	1MW
POWER AVG:	1 KW	1KW
ISOLATION:	50 dB	
SPEED:	10 RPM	
TORQUE:	2.0 FT-LBS	
PRESSURE:	20 PSIG	
LEAK RATE:	20 CC/MIN	
MATERIAL:	ALUMINUM	
FINISH	TBD	



NOTES:  
1. MASK SURFACES MARKED  $\nabla$

THIRD ANGLE PROJECTION	<b>DIAMOND ANTENNA &amp; MICROWAVE CORP</b> LITTLETON, MA 01460		
	TITLE: <b>DUAL CHANNEL ASSY</b>		
DIMENSIONS ARE IN INCHES. REMOVE ALL BURRS AND SHARP EDGES .005 MAX. UNLESS OTHERWISE SPECIFIED. SURF FINISH 63	SIZE: <b>D</b>	CAGE CODE: <b>01882</b>	DRAWING NUMBER: <b>CAT 2281-0</b>
TOLERANCES ARE: FRACTIONS DECIMALS ANGLES 1/16 3 PLACES 1.010	SCALE: <b>1:2</b>	WEIGHT (EST.):	SHEET <b>1</b> OF <b>1</b>
INTERPRET DIMENSIONS & TOLERANCES PER ASME Y14.5M			