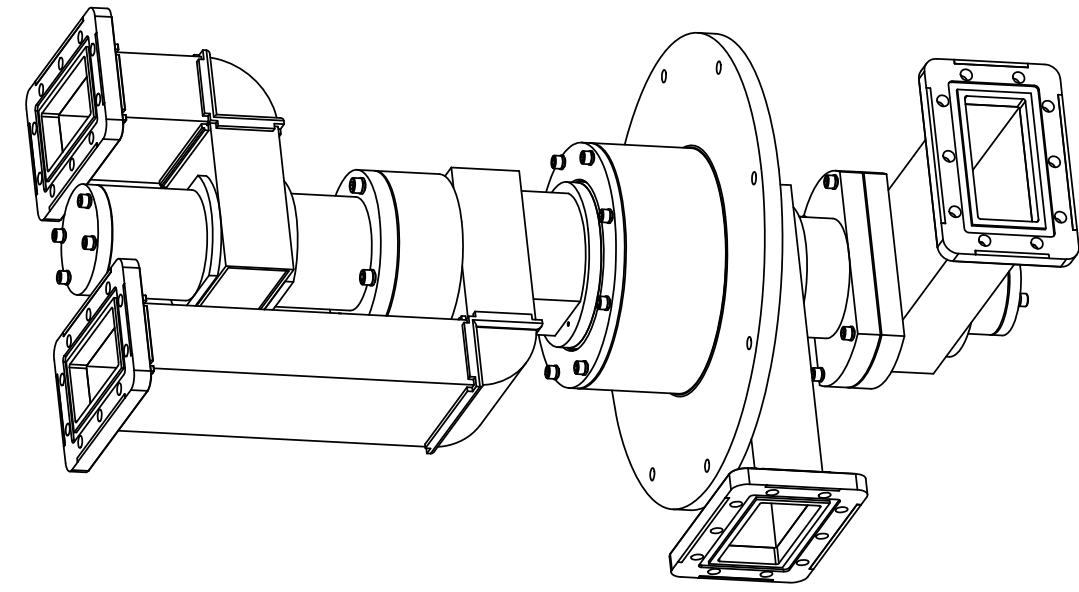
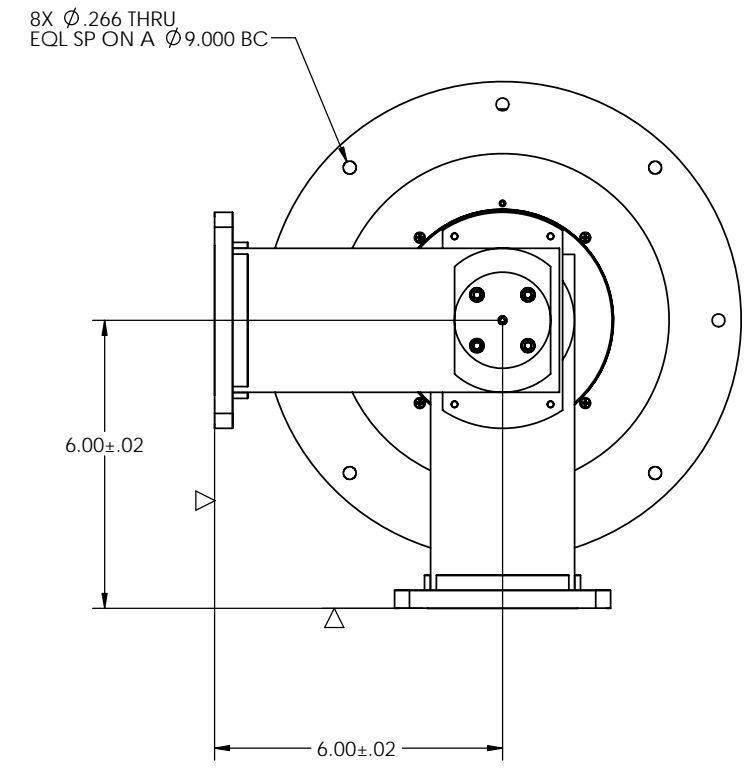
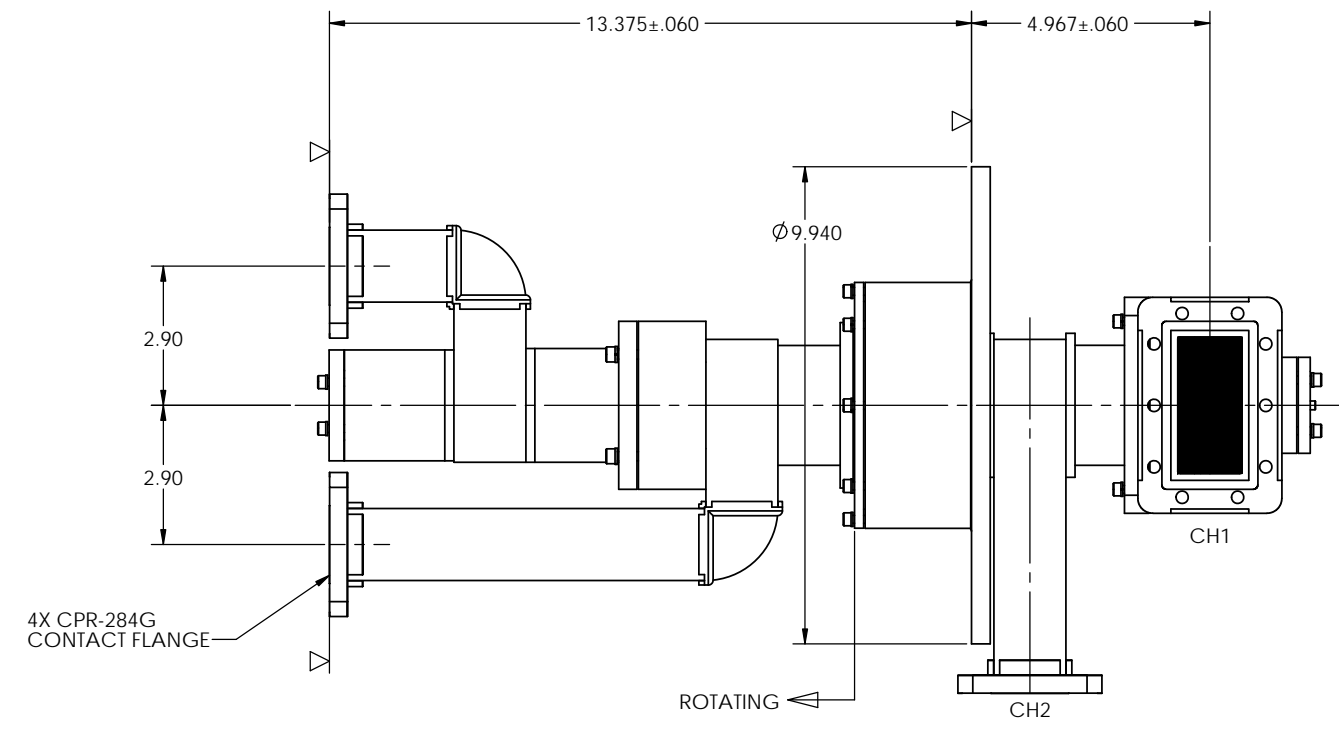
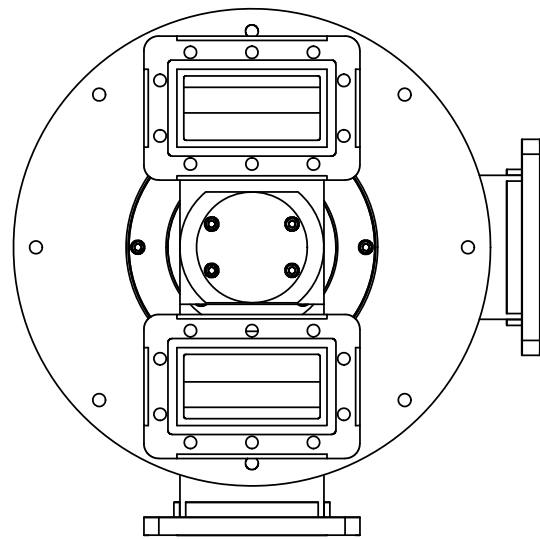


NOTE: Description and data herein contains information and other knowledge of a proprietary nature with this company. No permission or authorization for utilization of such proprietary values has been granted, in whole or in part, for duplication, dissemination, transmission, use or disclosure by any other person or means to any firm or person at any time, past, present, or future, unless explicit by prior written agreement with Diamond. The fact that the Government may have furnished, purchased or in any way supplied this information is not to be regarded by implication or otherwise as in any manner favoring the holder, or any person or corporation, for conveying any rights or permission to manufacture, use, or sell any patented invention or proprietary data herein that in any way be related thereto.



SPECIFICATIONS		
	CH-1	CH-2
FREQUENCY (GHz): G-1	2.7 - 2.725 - 2.9	2.7 - 2.725 - 2.9
G-2	2.7 - 2.809 - 2.9	2.7 - 2.809 - 2.9
VSWR:	1.20 - 1.15 - 1.20	1.20 - 1.15 - 1.20
VSWR WOW:	0.05	0.05
LOSS (dB):	0.30	0.25
LOSS WOW (dB):	0.10	0.05
POWER PEAK:	1MW	1MW
POWER AVG:	1KW	1KW
INPUTS:	CPR-284G	CPR-284G
ISOLATION:	50 dB	
SPEED:	10 RPM	
TORQUE:	2.0 FT-LBS	
PRESSURE:	20 PSIG	
LEAK RATE:	20 CC/MIN	
MATERIAL:	ALUMINUM	
FINISH	TBD	

NOTES:  
1. MASK SURFACES MARKED ▽

THIRD ANGLE PROJECTION		DIAMOND ANTENNA & MICROWAVE CORP LITTLETON, MA 01460	
DIMENSIONS ARE IN INCHES. REMOVE ALL BURRS AND SHARP EDGES .005 MAX. UNLESS OTHERWISE SPECIFIED. SURF FINISH 63 TOLERANCES ARE: FRACTIONS DECIMALS ANGLES ±1/64 ±.005 ±1/2 ±.001 ±.010 ±1/2		TITLE: DUAL CHANNEL ASSY	
SIZE: D	CAGE CODE: 01882	DRAWING NUMBER: CAT 20-2281-0	
SCALE: 1:2	WEIGHT (EST.):	SHEET 1 OF 1	