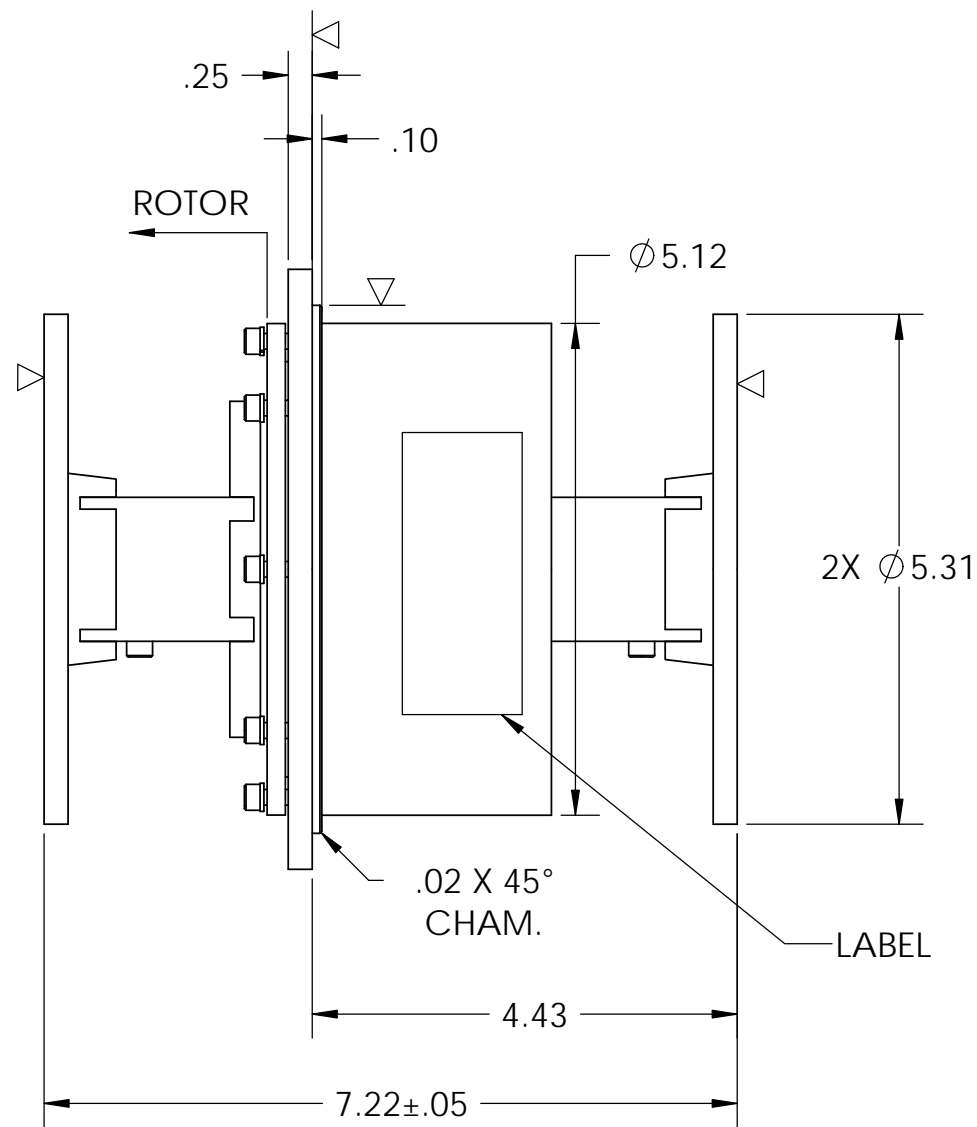
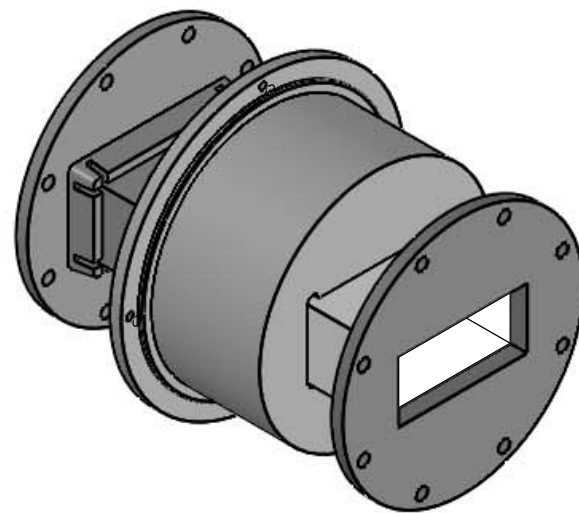
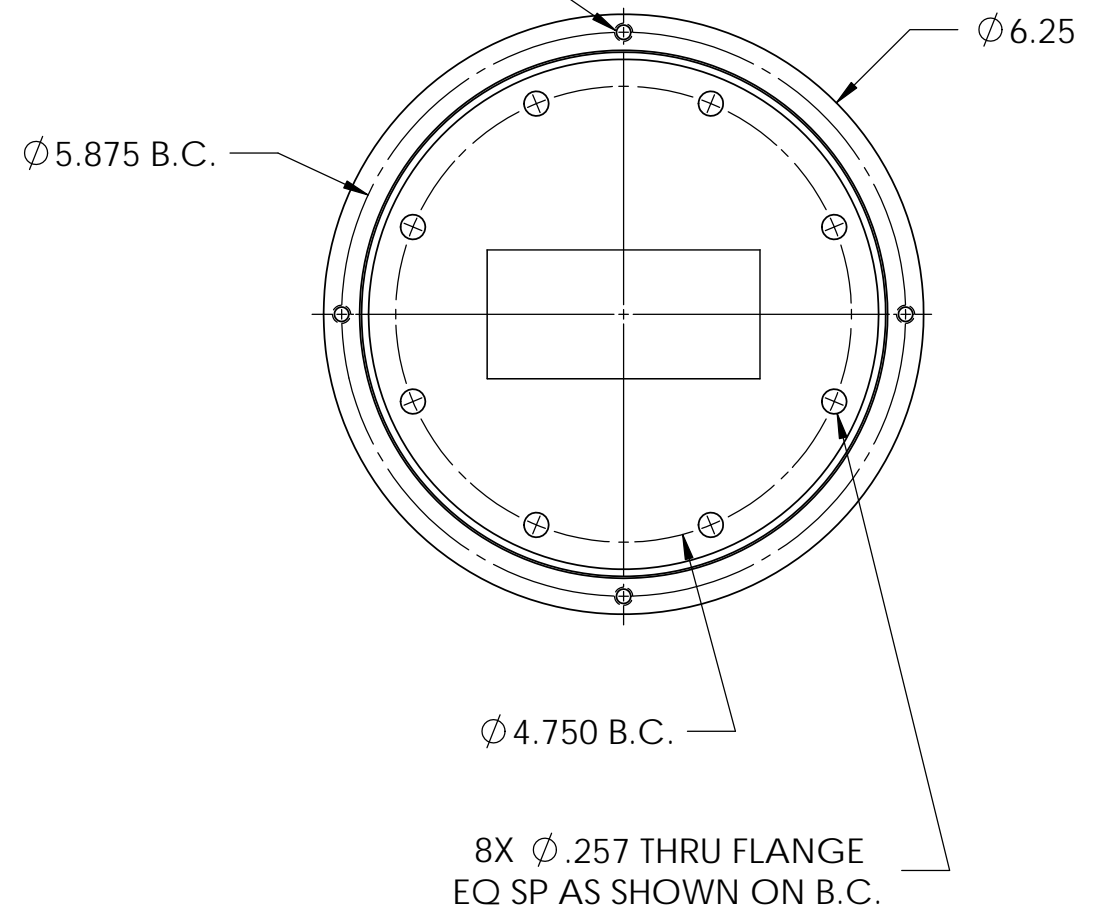


**DESIGN SPECIFICATIONS**

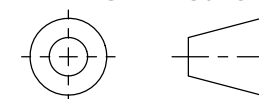
FREQUENCY (GHz):	2.7 - 2.9
VSWR:	1.2:1
VSWR WOW:	0.05
INSERTION LOSS (dB):	0.15
INSERTION LOSS WOW (dB):	0.05
POWER, PEAK:	1.5 MW max @ 25 psig & 1.2:1 mismatch or better
POWER, AVG:	1.5 KW
ROTATIONAL SPEED (nom):	2 RPM
TORQUE (max):	2 ft-lbs
WEIGHT (nom):	7.2 kg, (15.8 lbs)
PRESSURE:	25 psig (min)
LEAK RATE:	20 cc/min
MATERIAL:	Aluminum
FINISH:	TBD
MARKING:	Label in area indicated shall include as a minimum; Diamond logo, P/N and Serial No.



4X 10-24 UNC - 2B THRU ALL  
EQ SP AS SHOWN ON B.C.



THIRD ANGLE PROJECTION



DIMENSIONS ARE IN INCHES.  
REMOVE ALL BURRS AND  
SHARP EDGES .005 MAX,  
UNLESS OTHERWISE  
SPECIFIED, SURF FINISH 63  
TOLERANCES ARE:  
FRACTIONS DECIMALS ANGLES  
±1/64 2 PLACES ±.03 ±1/2°  
3 PLACES ±.010

INTERPRET DIMENSIONS &  
TOLERANCES PER ASME Y14.5M

**DIAMOND ANTENNA & MICROWAVE CORP**  
LITTLETON, MA 01460

TITLE: "I" STYLE ROTARY JOINT

SIZE: B	CAGE CODE: 01882	DRAWING NUMBER: CAT 32-445-0
---------	------------------	------------------------------

SCALE: 1:2	WEIGHT (EST.):	SHEET: 1 OF 1
------------	----------------	---------------